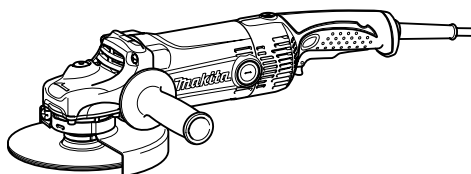
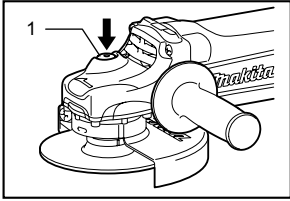




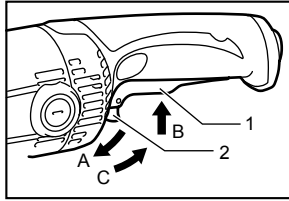
GB	Angle Grinder	INSTRUCTION MANUAL
S	Vinkelslipmaskin	BRUKSANVISNING
N	Vinkelsliper	BRUKSANVISNING
FIN	Kulmahiomakone	KÄYTTÖOHJE
LV	Leņķa slīpmašīna	LIETOŠANAS INSTRUKCIJA
LT	Kampinis šlifuoklis	NAUDOJIMO INSTRUKCIJA
EE	Nurklihväi	KASUTUSJUHEND
RUS	Угловая шлифмашина	РУКОВОДСТВО ПО ЭКСПЛУАТАЦИИ

GA7050
GA7050R
GA9050
GA9050R

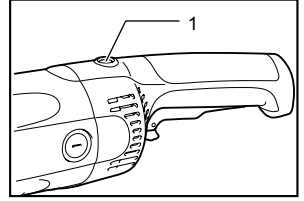




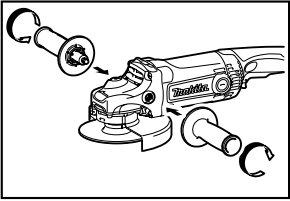
1 010639



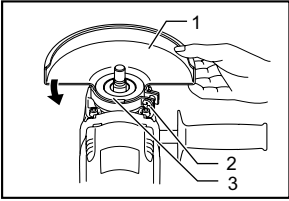
2 010640



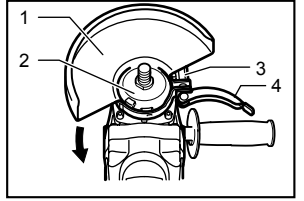
3 010864



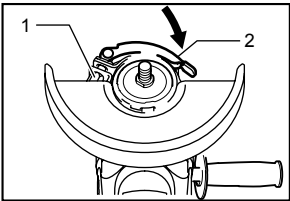
4 010642



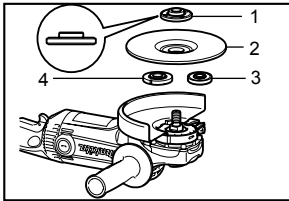
5 006736



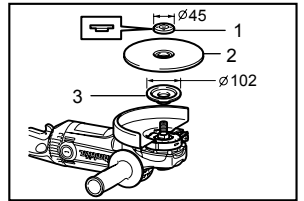
6 010644



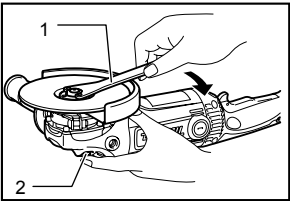
7 010645



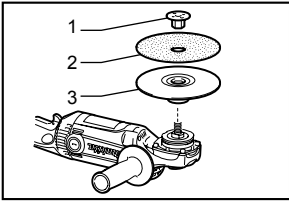
8 010661



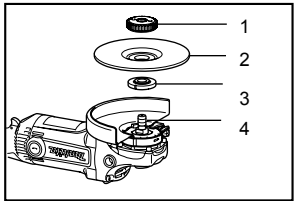
9 010654



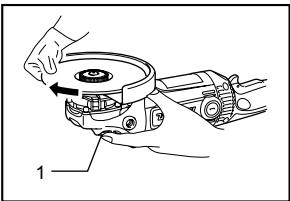
10 010647



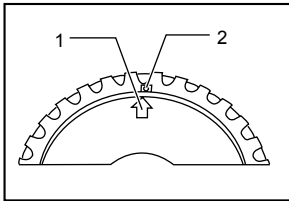
11 010658



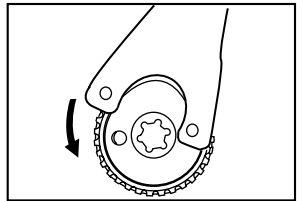
12 010844



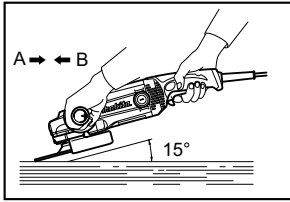
13 010845



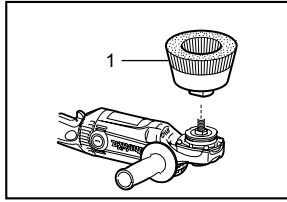
14 010846



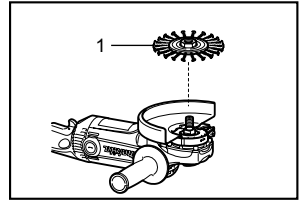
15 010863



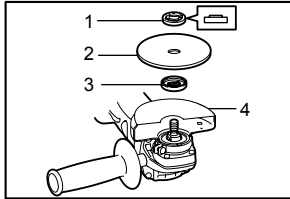
16 010648



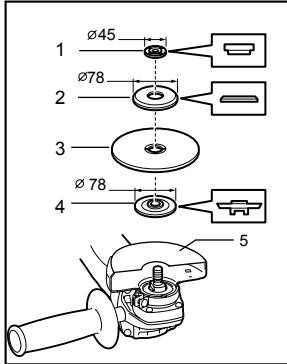
17 010862



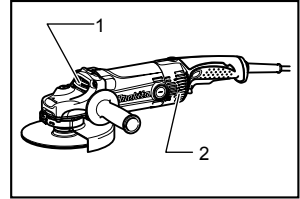
18 010659



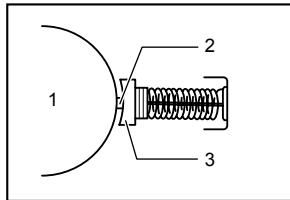
19 010828



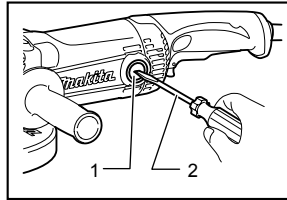
20 010946



21 010653



22 001146



23 010649

ENGLISH (Original instructions)

Explanation of general view

1-1. Shaft lock	9-3. Inner flange	19-4. Wheel guard for abrasive cut-off wheel/diamond wheel
2-1. Switch trigger	10-1. Lock nut wrench	20-1. Lock nut
2-2. Lock lever	10-2. Shaft lock	20-2. Outer flange 78
3-1. Indication lamp	11-1. Lock nut	20-3. Abrasive cut-off wheel/diamond wheel
5-1. Wheel guard	11-2. Abrasive disc	20-4. Inner flange 78
5-2. Screw	11-3. Rubber pad	20-5. Wheel guard for abrasive cut-off wheel/diamond wheel
5-3. Bearing box	12-1. Ezy nut	21-1. Exhaust vent
6-1. Wheel guard	12-2. Abrasive wheel/Multi-disc	21-2. Inhalation vent
6-2. Bearing box	12-3. Inner flange	22-1. Commutator
6-3. Nut	12-4. Spindle	22-2. Insulating tip
6-4. Lever	13-1. Shaft lock	22-3. Carbon brush
7-1. Nut	14-1. Arrow	23-1. Brush holder cap
7-2. Lever	14-2. Notch	23-2. Screwdriver
8-1. Lock nut	17-1. Wire cup brush	
8-2. Depressed center wheel	18-1. Wire wheel brush	
8-3. Inner flange	19-1. Lock nut	
8-4. Super flange	19-2. Abrasive cut-off wheel/diamond wheel	
9-1. Lock nut	19-3. Inner flange	
9-2. Depressed center wheel		

SPECIFICATIONS

Model	GA7050	GA7050R	GA9050	GA9050R
Depressed center wheel diameter	180 mm	180 mm	230 mm	230 mm
Spindle thread	M14	M14	M14	M14
No load speed (n_0)/Rated speed (n)	8,500(min ⁻¹)	8,500(min ⁻¹)	6,600(min ⁻¹)	6,600(min ⁻¹)
Overall length	432 mm	455 mm	432 mm	455 mm
Net weight	4.5 kg	4.6 kg	4.7 kg	4.8 kg
Safety class	□/II			

- Due to our continuing programme of research and development, the specifications herein are subject to change without notice.
- Specifications may differ from country to country.
- Weight according to EPTA-Procedure 01/2003

Intended use

The tool is intended for grinding, sanding and cutting of metal and stone materials without the use of water.

ENE048-1

ENF002-2

Power supply

The tool should be connected only to a power supply of the same voltage as indicated on the nameplate, and can only be operated on single-phase AC supply. They are double-insulated and can, therefore, also be used from sockets without earth wire.

presumed that there will be no negative effects. The mains socket used for this device must be protected with a fuse or protective circuit breaker having slow tripping characteristics.

ENG905-1

Noise

The typical A-weighted noise level determined according to EN60745:

Sound pressure level (L_{pA}) : 94 dB(A)
Sound power level (L_{WA}) : 105 dB(A)
Uncertainty (K) : 3 dB(A)

For Model GA7050, GA9050

ENF100-1

For public low-voltage distribution systems of between 220 V and 250 V.

Switching operations of electric apparatus cause voltage fluctuations. The operation of this device under unfavorable mains conditions can have adverse effects to the operation of other equipment. With a mains impedance equal or less than 0.22 Ohms it can be

Wear ear protection

ENG900-1

Vibration

The vibration total value (tri-axial vector sum) determined according to EN60745:

Model GA7050,GA7050R

Work mode : surface grinding
Vibration emission ($a_{h,AG}$) : 6.5 m/s²
Uncertainty (K) : 1.5 m/s²

Work mode : disc sanding
Vibration emission ($a_{h,DS}$) : 4.0 m/s²
Uncertainty (K) : 1.5 m/s²

Model GA9050,GA9050R

Work mode : surface grinding
Vibration emission ($a_{h,AG}$) : 5.5 m/s²
Uncertainty (K) : 1.5 m/s²

Work mode : disc sanding
Vibration emission ($a_{h,DS}$) : 2.5 m/s²
Uncertainty (K) : 1.5 m/s²

ENG902-1

- The declared vibration emission value has been measured in accordance with the standard test method and may be used for comparing one tool with another.
- The declared vibration emission value may also be used in a preliminary assessment of exposure.
- The declared vibration emission value is used for main applications of the power tool. However if the power tool is used for other applications, the vibration emission value may be different.

⚠WARNING:

- The vibration emission during actual use of the power tool can differ from the declared emission value depending on the ways in which the tool is used.
- Be sure to identify safety measures to protect the operator that are based on an estimation of exposure in the actual conditions of use (taking account of all parts of the operating cycle such as the times when the tool is switched off and when it is running idle in addition to the trigger time).

ENH101-15

For European countries only

EC Declaration of Conformity

We Makita Corporation as the responsible manufacturer declare that the following Makita machine(s):

Designation of Machine:

Angle Grinder

Model No./ Type: GA7050, GA7050R, GA9050, GA9050R

are of series production and

Conforms to the following European Directives:

2006/42/EC

And are manufactured in accordance with the following standards or standardised documents:

EN60745

The technical documentation is kept by our authorised representative in Europe who is:

Makita International Europe Ltd.
Michigan Drive, Tongwell,
Milton Keynes, Bucks MK15 8JD, England

26.6.2009



000230

Tomoyasu Kato
Director
Makita Corporation
3-11-8, Sumiyoshi-cho,
Anjo, Aichi, 446-8502, JAPAN

GEA010-1

General Power Tool Safety Warnings

⚠ WARNING Read all safety warnings and all instructions. Failure to follow the warnings and instructions may result in electric shock, fire and/or serious injury.

Save all warnings and instructions for future reference.

GEB033-4

GRINDER SAFETY WARNINGS

Safety Warnings Common for Grinding, Sanding, Wire Brushing, or Abrasive Cutting-Off Operations:

1. **This power tool is intended to function as a grinder, sander, wire brush or cut-off tool. Read all safety warnings, instructions, illustrations and specifications provided with this power tool.** Failure to follow all instructions listed below may result in electric shock, fire and/or serious injury.
2. **Operations such as polishing are not recommended to be performed with this power tool.** Operations for which the power tool was not designed may create a hazard and cause personal injury.
3. **Do not use accessories which are not specifically designed and recommended by the tool manufacturer.** Just because the accessory can be attached to your power tool, it does not assure safe operation.
4. **The rated speed of the accessory must be at least equal to the maximum speed marked on the power tool.** Accessories running faster than their rated speed can break and fly apart.
5. **The outside diameter and the thickness of your accessory must be within the capacity rating of your power tool.** Incorrectly sized accessories cannot be adequately guarded or controlled.

6. **The arbour size of wheels, flanges, backing pads or any other accessory must properly fit the spindle of the power tool.** Accessories with arbour holes that do not match the mounting hardware of the power tool will run out of balance, vibrate excessively and may cause loss of control.
7. **Do not use a damaged accessory. Before each use inspect the accessory such as abrasive wheels for chips and cracks, backing pad for cracks, tear or excess wear, wire brush for loose or cracked wires. If power tool or accessory is dropped, inspect for damage or install an undamaged accessory. After inspecting and installing an accessory, position yourself and bystanders away from the plane of the rotating accessory and run the power tool at maximum no-load speed for one minute.** Damaged accessories will normally break apart during this test time.
8. **Wear personal protective equipment. Depending on application, use face shield, safety goggles or safety glasses. As appropriate, wear dust mask, hearing protectors, gloves and workshop apron capable of stopping small abrasive or workpiece fragments.** The eye protection must be capable of stopping flying debris generated by various operations. The dust mask or respirator must be capable of filtering particles generated by your operation. Prolonged exposure to high intensity noise may cause hearing loss.
9. **Keep bystanders a safe distance away from work area. Anyone entering the work area must wear personal protective equipment.** Fragments of workpiece or of a broken accessory may fly away and cause injury beyond immediate area of operation.
10. **Hold power tool by insulated gripping surfaces only, when performing an operation where the cutting accessory may contact hidden wiring or its own cord.** Cutting accessory contacting a "live" wire may make exposed metal parts of the power tool "live" and shock the operator.
11. **Position the cord clear of the spinning accessory.** If you lose control, the cord may be cut or snagged and your hand or arm may be pulled into the spinning accessory.
12. **Never lay the power tool down until the accessory has come to a complete stop.** The spinning accessory may grab the surface and pull the power tool out of your control.
13. **Do not run the power tool while carrying it at your side.** Accidental contact with the spinning accessory could snag your clothing, pulling the accessory into your body.
14. **Regularly clean the power tool's air vents.** The motor's fan will draw the dust inside the housing and excessive accumulation of powdered metal may cause electrical hazards.
15. **Do not operate the power tool near flammable materials.** Sparks could ignite these materials.
16. **Do not use accessories that require liquid coolants.** Using water or other liquid coolants may result in electrocution or shock.

Kickback and Related Warnings

Kickback is a sudden reaction to a pinched or snagged rotating wheel, backing pad, brush or any other accessory. Pinching or snagging causes rapid stalling of the rotating accessory which in turn causes the uncontrolled power tool to be forced in the direction opposite of the accessory's rotation at the point of the binding.

For example, if an abrasive wheel is snagged or pinched by the workpiece, the edge of the wheel that is entering into the pinch point can dig into the surface of the material causing the wheel to climb out or kick out. The wheel may either jump toward or away from the operator, depending on direction of the wheel's movement at the point of pinching. Abrasive wheels may also break under these conditions.

Kickback is the result of power tool misuse and/or incorrect operating procedures or conditions and can be avoided by taking proper precautions as given below.

- a) **Maintain a firm grip on the power tool and position your body and arm to allow you to resist kickback forces. Always use auxiliary handle, if provided, for maximum control over kickback or torque reaction during start-up.** The operator can control torque reactions or kickback forces, if proper precautions are taken.
- b) **Never place your hand near the rotating accessory.** Accessory may kickback over your hand.
- c) **Do not position your body in the area where power tool will move if kickback occurs.** Kickback will propel the tool in direction opposite to the wheel's movement at the point of snagging.
- d) **Use special care when working corners, sharp edges etc. Avoid bouncing and snagging the accessory.** Corners, sharp edges or bouncing have a tendency to snag the rotating accessory and cause loss of control or kickback.
- e) **Do not attach a saw chain woodcarving blade or toothed saw blade.** Such blades create frequent kickback and loss of control

Safety Warnings Specific for Grinding and Abrasive Cutting-Off Operations:

- a) **Use only wheel types that are recommended for your power tool and the specific guard designed for the selected wheel.** Wheels for which the power tool was not designed cannot be adequately guarded and are unsafe.
- b) **The guard must be securely attached to the power tool and positioned for maximum safety, so the least amount of wheel is exposed**

towards the operator. The guard helps to protect operator from broken wheel fragments and accidental contact with wheel.

c) **Wheels must be used only for recommended applications. For example: do not grind with the side of cut-off wheel.** Abrasive cut-off wheels are intended for peripheral grinding, side forces applied to these wheels may cause them to shatter.

d) **Always use undamaged wheel flanges that are of correct size and shape for your selected wheel.** Proper wheel flanges support the wheel thus reducing the possibility of wheel breakage. Flanges for cut-off wheels may be different from grinding wheel flanges.

e) **Do not use worn down wheels from larger power tools.** Wheel intended for larger power tool is not suitable for the higher speed of a smaller tool and may burst.

Additional Safety Warnings Specific for Abrasive Cutting-Off Operations:

a) **Do not “jam” the cut-off wheel or apply excessive pressure. Do not attempt to make an excessive depth of cut.** Overstressing the wheel increases the loading and susceptibility to twisting or binding of the wheel in the cut and the possibility of kickback or wheel breakage.

b) **Do not position your body in line with and behind the rotating wheel.** When the wheel, at the point of operation, is moving away from your body, the possible kickback may propel the spinning wheel and the power tool directly at you.

c) **When wheel is binding or when interrupting a cut for any reason, switch off the power tool and hold the power tool motionless until the wheel comes to a complete stop. Never attempt to remove the cut-off wheel from the cut while the wheel is in motion otherwise kickback may occur.** Investigate and take corrective action to eliminate the cause of wheel binding

d) **Do not restart the cutting operation in the workpiece. Let the wheel reach full speed and carefully reenter the cut.** The wheel may bind, walk up or kickback if the power tool is restarted in the workpiece.

e) **Support panels or any oversized workpiece to minimize the risk of wheel pinching and kickback.** Large workpieces tend to sag under their own weight. Supports must be placed under the workpiece near the line of cut and near the edge of the workpiece on both sides of the wheel.

f) **Use extra caution when making a “pocket cut” into existing walls or other blind areas.** The protruding wheel may cut gas or water pipes, electrical wiring or objects that can cause kickback.

Safety Warnings Specific for Sanding Operations:

a) **Do not use excessively oversized sanding disc paper. Follow manufacturers recommendations, when selecting sanding**

paper. Larger sanding paper extending beyond the sanding pad presents a laceration hazard and may cause snagging, tearing of the disc or kickback.

Safety Warnings Specific for Wire Brushing Operations:

a) **Be aware that wire bristles are thrown by the brush even during ordinary operation. Do not overstress the wires by applying excessive load to the brush.** The wire bristles can easily penetrate light clothing and/or skin.

b) **If the use of a guard is recommended for wire brushing, do not allow interference of the wire wheel or brush with the guard.** Wire wheel or brush may expand in diameter due to work load and centrifugal forces.

Additional safety warnings:

17. **When using depressed centre grinding wheels, be sure to use only fiberglass-reinforced wheels.**
18. **NEVER USE Stone Cup type wheels with this grinder.** This grinder is not designed for these types of wheels and the use of such a product may result in serious personal injury.
19. **Be careful not to damage the spindle, the flange (especially the installing surface) or the lock nut. Damage to these parts could result in wheel breakage.**
20. **Make sure the wheel is not contacting the workpiece before the switch is turned on.**
21. **Before using the tool on an actual workpiece, let it run for a while. Watch for vibration or wobbling that could indicate poor installation or a poorly balanced wheel.**
22. **Use the specified surface of the wheel to perform the grinding.**
23. **Watch out for flying sparks. Hold the tool so that sparks fly away from you and other persons or flammable materials.**
24. **Do not leave the tool running. Operate the tool only when hand-held.**
25. **Do not touch the workpiece immediately after operation; it may be extremely hot and could burn your skin.**
26. **Always be sure that the tool is switched off and unplugged or that the battery cartridge is removed before carrying out any work on the tool.**
27. **Observe the instructions of the manufacturer for correct mounting and use of wheels. Handle and store wheels with care.**
28. **Do not use separate reducing bushings or adaptors to adapt large hole abrasive wheels. Use only flanges specified for this tool.**
29. **For tools intended to be fitted with threaded hole wheel, ensure that the thread in the wheel is long enough to accept the spindle length.**
31. **Check that the workpiece is properly supported.**

32. Pay attention that the wheel continues to rotate after the tool is switched off.
33. If working place is extremely hot and humid, or badly polluted by conductive dust, use a short-circuit breaker (30 mA) to assure operator safety.
34. Do not use the tool on any materials containing asbestos.
35. Do not use water or grinding lubricant.
36. Ensure that ventilation openings are kept clear when working in dusty conditions. If it should become necessary to clear dust, first disconnect the tool from the mains supply (use non metallic objects) and avoid damaging internal parts.
37. When use cut-off wheel, always work with the dust collecting wheel guard required by domestic regulation.
38. Cutting discs must not be subjected to any lateral pressure.

SAVE THESE INSTRUCTIONS.

⚠WARNING:

DO NOT let comfort or familiarity with product (gained from repeated use) replace strict adherence to safety rules for the subject product. MISUSE or failure to follow the safety rules stated in this instruction manual may cause serious personal injury.

FUNCTIONAL DESCRIPTION

⚠CAUTION:

- Always be sure that the tool is switched off and unplugged before adjusting or checking function on the tool.

Shaft lock

⚠CAUTION:

- Never actuate the shaft lock when the spindle is moving. The tool may be damaged.

Fig.1

Press the shaft lock to prevent spindle rotation when installing or removing accessories.

Switch action

⚠CAUTION:

- Before plugging in the tool, always check to see that the switch trigger actuates properly and returns to the "OFF" position when released.
- Switch can be locked in "ON" position for ease of operator comfort during extended use. Apply caution when locking tool in "ON" position and maintain firm grasp on tool.

Fig.2

For tool with the lock-on switch

To start the tool, simply pull the switch trigger (in the B direction). Release the switch trigger to stop. For continuous operation, pull the switch trigger (in the B direction) and then push in the lock lever (in the A direction). To stop the tool from the locked position, pull the switch trigger fully (in the B direction), then release it.

For tool with the lock-off switch

To prevent the switch trigger from accidentally pulled, a lock lever is provided.

To start the tool, push in the lock lever (in the A direction) and then pull the switch trigger (in the B direction). Release the switch trigger to stop.

For tool with the lock on and lock-off switch

To prevent the switch trigger from accidentally pulled, a lock lever is provided.

To start the tool, push in the lock lever (in the A direction) and then pull the switch trigger (in the B direction). Release the switch trigger to stop.

For continuous operation, push in the lock lever (in the A direction), pull the switch trigger (in the B direction) and then pull the lock lever (in the C direction).

To stop the tool from the locked position, pull the switch trigger fully (in the B direction), then release it.

Indication lamp (For model GA7050R/GA9050R)

Fig.3

The indication lamp lights up green when the tool is plugged. If the indication lamp does not light up, the mains cord or the controller may be defective. The indication lamp is lit but the tool does not start even if the tool is switched on, the carbon brushes may be worn out, or the controller, the motor or the ON/OFF switch may be defective.

Unintentional restart proof

Even locking lever keeping the switch trigger depressed (Lock-on position) does not allow the tool to restart even when the tool is plugged.

At this time, the indication lamp flickers red and shows the unintentional restart proof device is on function.

To cancel the unintentional restart proof, pull the switch trigger fully, then release it.

Soft start feature

These models begin to run slowly when they are turned on. This soft start feature assures smoother operation.

ASSEMBLY

⚠CAUTION:

- Always be sure that the tool is switched off and unplugged before carrying out any work on the tool.

Installing side grip (handle)

⚠CAUTION:

- Always be sure that the side grip is installed securely before operation.

Fig.4

Screw the side grip securely on the position of the tool as shown in the figure.

Installing or removing wheel guard (For depressed center wheel , multi disc , wire wheel brush / abrasive cut-off wheel , diamond wheel)

⚠WARNING:

- When using a depressed center grinding wheel/Multi-disc, flex wheel or wire wheel brush, the wheel guard must be fitted on the tool so that the closed side of the guard always points toward the operator.
- When using an abrasive cut-off / diamond wheel, be sure to use only the special wheel guard designed for use with cut-off wheels. (In European countries, when using a diamond wheel, the ordinary guard can be used.)

For tool with locking screw type wheel guard

Fig.5

Mount the wheel guard with the protrusion on the wheel guard band aligned with the notch on the bearing box. Then rotate the wheel guard around 180 degrees counterclockwise. Be sure to tighten the screw securely. To remove wheel guard, follow the installation procedure in reverse.

For tool with clamp lever type wheel guard

Fig.6

Fig.7

Loosen the lever on the wheel guard. Mount the wheel guard with the protrusion on the wheel guard band aligned with the notch on the bearing box. Then rotate the wheel guard around to the position shown in the figure. Tighten the lever to fasten the wheel guard. If the lever is too tight or too loose to fasten the wheel guard, loosen or tighten the nut to adjust the tightening of the wheel guard band.

To remove wheel guard, follow the installation procedure in reverse.

Installing or removing depressed center grinding wheel/Multi-disc (accessory)

⚠WARNING:

- Always use supplied guard when depressed center grinding wheel/Multi-disc is on tool. Wheel can shatter during use and guard helps to reduce chances of personal injury.

Fig.8

Mount the inner flange onto the spindle. Fit the wheel/disc on the inner flange and screw the lock nut onto the spindle.

⚠WARNING:

- Never use a more than 6.5 mm thick grinding wheel.

Super flange

Models with the letter F are standard-equipped with a super flange. Only 1/3 of efforts needed to undo lock nut, compared with conventional type.

For Australia and New Zealand

Fig.9

Mount the inner flange onto the spindle. Fit the wheel/disc on the inner flange and screw the lock nut with its protrusion facing downward (facing toward the wheel).

To tighten the lock nut, press the shaft lock firmly so that the spindle cannot revolve, then use the lock nut wrench and securely tighten clockwise.

Fig.10

To remove the wheel, follow the installation procedure in reverse.

Installing or removing abrasive disc (optional accessory)

NOTE:

- Use sander accessories specified in this manual. These must be purchased separately.

Fig.11

Mount the rubber pad onto the spindle. Fit the disc on the rubber pad and screw the lock nut onto the spindle. To tighten the lock nut, press the shaft lock firmly so that the spindle cannot revolve, then use the lock nut wrench and securely tighten clockwise.

To remove the disc, follow the installation procedure in reverse.

Installing or removing Ezynut (optional accessory)

⚠CAUTION:

- Do not use Ezynut with Super Flange or angle grinder with "F" on the end of the model No. Those flanges are so thick that the entire thread cannot be retained by the spindle.

Fig.12

Mount inner flange , abrasive wheel/Multi-disc and Ezynut onto the spindle so that Makita Logo on Ezynut faces outside.

Fig.13

Press shaft lock firmly and tighten Ezynut by turning the abrasive wheel/Multi-disc clockwise as far as it turns.

Turn the outside ring of Ezynut counterclockwise to loosen.

Fig.14

Fig.15

NOTE:

- Ezynut can be loosened by hand as long as the arrow points the notch. Otherwise a lock nut wrench is required to loosen it. Insert one pin of the wrench into a hole and turn Ezynut

counterclockwise.

OPERATION

⚠WARNING:

- It should never be necessary to force the tool. The weight of the tool applies adequate pressure. Forcing and excessive pressure could cause dangerous wheel breakage.
- ALWAYS replace wheel if tool is dropped while grinding.
- NEVER bang or hit grinding disc or wheel onto work.
- Avoid bouncing and snagging the wheel, especially when working corners, sharp edges etc. This can cause loss of control and kickback.
- NEVER use tool with wood cutting blades and other sawblades. Such blades when used on a grinder frequently kick and cause loss of control leading to personal injury.

⚠CAUTION:

- Never switch on the tool when it is in contact with the workpiece, it may cause an injury to operator.
- Always wear safety goggles or a face shield during operation.
- After operation, always switch off the tool and wait until the wheel has come to a complete stop before putting the tool down.

Grinding and sanding operation

Fig.16

ALWAYS hold the tool firmly with one hand on rear handle and the other on the side handle. Turn the tool on and then apply the wheel or disc to the workpiece.

In general, keep the edge of the wheel or disc at an angle of about 15 degrees to the workpiece surface.

During the break-in period with a new wheel, do not work the grinder in the B direction or it will cut into the workpiece. Once the edge of the wheel has been rounded off by use, the wheel may be worked in both A and B direction.

Operation with wire cup brush (optional accessory)

⚠CAUTION:

- Check operation of brush by running tool with no load, insuring that no one is in front of or in line with brush.
- Do not use brush that is damaged, or which is out of balance. Use of damaged brush could increase potential for injury from contact with broken brush wires.

Fig.17

Unplug tool and place it upside down allowing easy access to spindle. Remove any accessories on spindle. Mount wire cup brush onto spindle and tighten with supplied wrench. When using brush, avoid applying too

much pressure which causes over bending of wires, leading to premature breakage.

Operation with wire wheel brush (optional accessory)

⚠CAUTION:

- Check operation of wire wheel brush by running tool with no load, insuring that no one is in front of or in line with the wire wheel brush.
- Do not use wire wheel brush that is damaged, or which is out of balance. Use of damaged wire wheel brush could increase potential for injury from contact with broken wires.
- ALWAYS use guard with wire wheel brushes, assuring diameter of wheel fits inside guard. Wheel can shatter during use and guard helps to reduce chances of personal injury.

Fig.18

Unplug tool and place it upside down allowing easy access to spindle. Remove any accessories on spindle. Thread wire wheel brush onto spindle and tighten with the wrenches.

When using wire wheel brush, avoid applying too much pressure which causes over bending of wires, leading to premature breakage.

Operation with abrasive cut-off / diamond wheel (optional accessory)

⚠WARNING:

- When using an abrasive cut-off / diamond wheel, be sure to use only the special wheel guard designed for use with cut-off wheels. (In European countries, when using a diamond wheel, the ordinary guard can be used.)
- NEVER use cut-off wheel for side grinding.
- Do not "jam" the wheel or apply excessive pressure. Do not attempt to make an excessive depth of cut. Overstressing the wheel increases the loading and susceptibility to twisting or binding of the wheel in the cut and the possibility of kickback, wheel breakage and overheating of the motor may occur.
- Do not start the cutting operation in the workpiece. Let the wheel reach full speed and carefully enter into the cut moving the tool forward over the workpiece surface. The wheel may bind, walk up or kickback if the power tool is started in the workpiece.
- During cutting operations, never change the angle of the wheel. Placing side pressure on the cut-off wheel (as in grinding) will cause the wheel to crack and break, causing serious personal injury.
- A diamond wheel shall be operated perpendicular to the material being cut.

Mount the inner flange onto the spindle. Fit the wheel/disc on the inner flange and screw the lock nut onto the spindle.

Fig.19

When installing a diamond wheel or a abrasive cut-off wheel with its 7mm or more thick wheel body, mount the lock nut with its pilot circular part (protrusion) for wheel bore facing the wheel.

For Australia and New Zealand

Installing or removing abrasive cut-off wheel / diamond wheel (optional accessory)

Fig.20

MAINTENANCE

⚠CAUTION:

- Always be sure that the tool is switched off and unplugged before attempting to perform inspection or maintenance.
- Never use gasoline, benzine, thinner, alcohol or the like. Discoloration, deformation or cracks may result.

Fig.21

The tool and its air vents have to be kept clean. Regularly clean the tool's air vents or whenever the vents start to become obstructed.

Replacing carbon brushes

Fig.22

When the resin insulating tip inside the carbon brush is exposed to contact the commutator, it will automatically shut off the motor. When this occurs, both carbon brushes should be replaced. Keep the carbon brushes clean and free to slip in the holders. Both carbon brushes should be replaced at the same time. Use only identical carbon brushes.

Use a screwdriver to remove the brush holder caps. Take out the worn carbon brushes, insert the new ones and secure the brush holder caps.

Fig.23

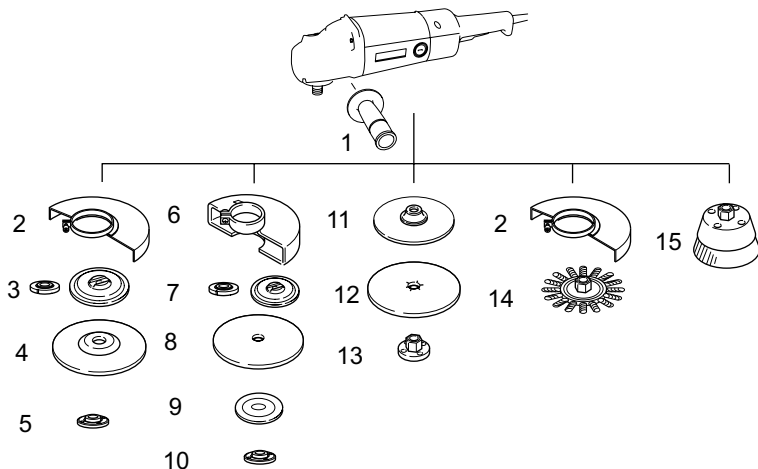
To maintain product SAFETY and RELIABILITY, repairs, any other maintenance or adjustment should be performed by Makita Authorized Service Centers, always using Makita replacement parts.

ACCESSORIES

⚠CAUTION:

- These accessories or attachments are recommended for use with your Makita tool specified in this manual. The use of any other accessories or attachments might present a risk of injury to persons. Only use accessory or attachment for its stated purpose.

If you need any assistance for more details regarding these accessories, ask your local Makita Service Center.



1	Side grip
2	Wheel guard for Depressed center grinding wheel / Multi disc / Wire wheel brush
3	Inner flange / Super flange / Inner flange 102 (Australia and New Zealand only)
4	Depressed center grinding wheel/Multi-disc
5	Lock nut / Ezynut*1
6	Wheel guard for Abrasive cut off wheel / Diamond wheel*2
7	Inner flange / Super flange / Inner flange 78 (Australia and New Zealand only)
8	Abrasive cut off wheel / Diamond wheel
9	Outer flange 78 (Australia and New Zealand only)*3
10	Lock nut / Ezynut*1
11	Rubber pad
12	Abrasive disc
13	Sanding lock nut
14	Wire wheel brush
15	Wire cup brush
—	Lock nut wrench
—	Dust cover attachment

*1 Do not use Super flange and Ezynut together.

*2 In European countries, when using a diamond wheel, the ordinary guard can be used instead of the special guard covering the both side of the wheel.

*3 Use Inner flange 78 and Outer flange 78 together. (Australia and New Zealand only)

SVENSKA (Originalbruksanvisning)

Förklaring till översikt bilderna

1-1. Spindellås	9-2. Rondell med försänkt centrumhål	19-3. Innerfläns
2-1. Avtryckare	9-3. Innerfläns	19-4. Sprängskydd för kap-/diamantskiva.
2-2. Låsknapp	10-1. Tappnyckel för låsmutter	20-1. Låsmutter
3-1. Indikatorlampa	10-2. Spindellås	20-2. Yttre fläns 78
5-1. Sprängskydd för sliprondell	11-1. Låsmutter	20-3. Kap-/diamantskiva
5-2. Skruv	11-2. Sliprondell	20-4. Innerfläns 78
5-3. Lagerhus	11-3. Gummiplatta	20-5. Sprängskydd för kap-/diamantskiva.
6-1. Sprängskydd för sliprondell	12-1. Ezynut	21-1. Utblås
6-2. Lagerhus	12-2. Slipskiva/multirondell	21-2. Luftintag
6-3. Mutter	12-3. Innerfläns	22-1. Kommutator
6-4. Spak	12-4. Spindel	22-2. Hartsspets
7-1. Mutter	13-1. Spindellås	22-3. Kolborste
7-2. Spak	14-1. Pil	23-1. Kolhållarlock
8-1. Låsmutter	14-2. Ås	23-2. Skruvmejsel
8-2. Rondell med försänkt centrumhål	17-1. Koppformad stålborste	
8-3. Innerfläns	18-1. Skivstålborste	
8-4. Superfläns	19-1. Låsmutter	
9-1. Låsmutter	19-2. Kap-/diamantskiva	

SPECIFIKATIONER

Modell	GA7050	GA7050R	GA9050	GA9050R
Diameter på rondell med försänkt centrumhål	180 mm	180 mm	230 mm	230 mm
Spindelgånga	M14	M14	M14	M14
Ingen laddhastighet (n_0) / Skattad hastighet (n)	8 500(min ⁻¹)	8 500(min ⁻¹)	6 600(min ⁻¹)	6 600(min ⁻¹)
Längd	432 mm	455 mm	432 mm	455 mm
Vikt	4,5 kg	4,6 kg	4,7 kg	4,8 kg
Säkerhetsklass	☐/II			

- På grund av vårt pågående program för forskning och utveckling kan dessa specifikationer ändras utan föregående meddelande.
- Specifikationerna kan variera mellan olika länder.
- Vikt i enlighet med EPTA-procedur 01/2003

ENE048-1

ENG905-1

Användningsområde

Maskinen är avsedd för slipning och kapning i trä och stenmaterial utan användning av vatten.

ENF002-2

Strömförsörjning

Maskinen får endast anslutas till elnät med samma spänning som anges på typplåten och med enfasig växelström. De är dubbelisolerade och får därför också anslutas i ojordade vägguttag.

För modell GA7050, GA9050

ENF100-1

Avsedd för elnät med 220 - 250 V.

Att starta och stänga av elektriska apparater medför spänningsfluktuationer. Om denna maskin används under ogynnsamma förhållanden kan funktioner hos annan utrustning påverkas negativt. I elnät med ett motstånd på högst 0,22 Ohm är det rimligt att anta att negativa effekter inte förekommer. Nätuttaget för den här enheten måste vara försedd med trög säkring eller skydds brytare.

Buller

Typiska A-vägd bullernivån är mätt enligt EN60745:

Ljudtrycksnivå (L_{pA}): 94 dB(A)
Ljudtrycksnivå (L_{WA}): 105 dB(A)
Måttolerans (K) : 3 dB(A)

Använd hörselskydd

ENG900-1

Vibration

Vibrationens totalvärde (tre-axlars vektorsumma) mätt enligt EN60745:

Modell GA7050, GA7050R

Arbetsläge: planslipning
Vibrationsemission ($a_{h,AG}$) : 6,5 m/s²
Måttolerans (K): 1,5 m/s²

Arbetsläge: skivslipning
Vibrationsemission ($a_{h,DS}$): 4,0 m/s²
Måttolerans (K): 1,5 m/s²

Arbetsläge: planslipning
 Vibrationsemission ($a_{h,AG}$): 5,5 m/s²
 Måttolerans (K): 1,5 m/s²

000230



Tomoyasu Kato
 Direktör
 Makita Corporation
 3-11-8, Sumiyoshi-cho,
 Anjo, Aichi, 446-8502, JAPAN

Arbetsläge: skivslipning
 Vibrationsemission ($a_{h,DS}$): 2,5 m/s²
 Måttolerans (K): 1,5 m/s²

EN902-1

- Det deklarerade vibrationsemissionsvärdet har uppmätts i enlighet med standardtestmetoden och kan användas för jämförandet av en maskin med en annan.
- Det deklarerade vibrationsemissionsvärdet kan också användas i preliminär bedömning av exponering för vibration.
- Det deklarerade vibrationsemissionsvärdet används för maskinens huvudsakliga arbetsuppgifter. Om maskinen används för andra arbetsuppgifter däremot kan vibrationsemissionsvärdet bli annorlunda.

GEA010-1

Allmänna säkerhetsvarningar för maskin

⚠ VARNING Läs igenom alla säkerhetsvarningar och instruktioner. Underlåtenhet att följa varningar och instruktioner kan leda till elektrisk stöt, brand och/eller allvarliga personskador.

Spara alla varningar och instruktioner för framtida referens.

GEB033-4

⚠ VARNING!

- Vibrationsemissionen under faktisk användning av maskinen kan skilja sig från det deklarerade emissionsvärdet, beroende på hur maskinen används.
- Se till att hitta säkerhetsåtgärder som kan skydda användaren och som grundar sig på en uppskattning av exponering i verkligheten (ta med i beräkningen alla delar av användandet såsom antal gånger maskinen är avstängd och när den körs på tomgång samt då startomkopplaren används).

ENH101-15

Gäller endast Europa

EU-konformitetsdeklaration

Vi Makita Corporation som ansvariga tillverkare deklarerar att följande Makita-maskin(er):

Maskinbeteckning:

Vinkelslipmaskin

Modellnr./ Typ: GA7050, GA7050R, GA9050, GA9050R

är för serieproduktion och

Följer följande EU-direktiv:

2006/42/EC

Och är tillverkade enligt följande standarder eller standardiseringsdokument:

EN60745

Den tekniska dokumentationen förs av vår auktoriserade representant i Europa som är:

Makita International Europe Ltd.

Michigan Drive, Tongwell,

Milton Keynes, Bucks MK15 8JD, England

SÄKERHETSVARNINGAR FÖR SLIPMASKIN

Säkerhetsvarningar för slipning, stålborstning eller abrasiv skärning:

1. **Den här maskinen är utformad för att användas för slipning, stålborstning eller som skärverktyg. Läs alla säkerhetsvarningar, instruktioner, illustrationer som medföljer den här maskinen.** Underlåtenhet att följa alla instruktioner nedan kan leda till elstötar, brand och/eller allvarlig skada.
2. **Den här maskinen rekommenderas inte för poleringsarbeten.** Används maskinen till andra arbeten än de avsedda, kan det orsaka fara och personskada.
3. **Använd inte tillbehör som inte är särskilt tillverkade och rekommenderade av maskinens tillverkare.** Även om tillbehöret passar maskinen, innebär det inte säker funktion.
4. **Tillbehörets märkvarvtal måste vara minst lika med det maximala varvtalet som anges på maskinen.** Tillbehör som används över märkvarvtalet kan gå sönder och orsaka skador.
5. **Tillbehörets ytterdiameter och tjocklek skall vara anpassat till maskinens kapacitet.** Tillbehör i olämplig storlek kan inte skyddas eller styras tillräckligt väl.
6. **Storleken på hjul, flänsar, underlagsplattor och andra tillbehör måste exakt passa maskinens spindelstorlek.** Tillbehör vars storlek inte passar maskinens monteringsutrustning kan orsaka obalans i maskinen, överdriven vibration och man kan förlora kontrollen över maskinen.

7. **Använd inte skadade tillbehör. Kontrollera tillbehör som sliprondeller efter hack och sprickor, underlagsplattor efter sprickor, slitage och stålborstar efter lösa eller brutna trådar. Om du tappar maskinen eller ett tillbehör, kontrollera efter skador eller sätt i ett oskadat tillbehör. Efter inspektion och installation av ett tillbehör, ställ dig och andra närvarande bort från det roterande tillbehörets riktning och kör maskinen på full hastighet utan last i en minut.** Skadade tillbehör går normalt sönder under den här testtiden.
8. **Bär personlig skyddsutrustning. Använd ansiktsskydd eller skyddsglasögon, beroende på arbetsuppgift. Använd vid behov dammskydd, hörselskydd, handskar och skyddsförkläde som stoppar små bitar slipmaterial eller fragment från arbetsstycket.** Ögonskyddet måste kunna stoppa flygande materialrester som orsakas av olika arbeten. Dammskyddet måste kunna filtrera partiklar som skapas av olika arbeten. Lång tid i kraftigt buller kan orsaka hörselskador.
9. **Håll personer i omgivningen på säkert avstånd från arbetsområdet. De som befinner sig i arbetsområdet ska bära personlig skyddsutrustning.** Delar av arbetsstycket eller defekta tillbehör kan flyga iväg och orsaka skador utanför arbetsområdet.
10. **Håll maskinen i de isolerade handtagen om det finns risk för att sliptillbehöret kan komma i kontakt med en dold elkabel eller sin egen nätsladd.** Om tillbehöret kommer i kontakt med en strömförande ledning kan maskinens metalldelar bli strömförande och kan ge operatören en elektrisk stöt.
11. **Placera nätsladden bort från det roterande tillbehöret.** Om du förlorar kontrollen, kan nätsladden kapas eller fastna och din hand eller arm kan dras in i det roterande verktyget.
12. **Lägg aldrig maskinen åt sidan förrän den har stannat helt.** Det roterande tillbehöret kan gripa tag i underlaget och du kan förlora kontrollen över maskinen.
13. **Kör inte maskinen när du bär det vid din sida.** Oavsiktlig kontakt med det roterande tillbehöret kan fastna i dina kläder, och dra in tillbehöret mot kroppen.
14. **Rengör regelbundet maskinens ventilationsöppningar.** Motorns fläkt suger in damm i höljet och överdriven ansamling av pulvriserad metall kan orsaka elektrisk fara.
15. **Använd inte maskinen i närheten av lättantändliga material.** Gnistor kan antända dessa material.
16. **Använd inte tillbehör som kräver flytande kylvätskor.** Att använda vatten eller andra flytande kylvätskor kan orsaka dödsfall eller

elektriska stötar.

Bakåtkast och relaterade varningar

Bakåtkast är en plötslig reaktion på fastnypat roterande hjul, underlagsplatta, borste eller annat tillbehör. Nyp och kärvning orsakar stegring som går in i fästpunkten tillbehöret, och orsakar i sin tur att den okontrollerade maskinen tvingas i motsatt riktning vid kärvningspunkten.

Om en slipskiva till exempel nyper fast i arbetsstycket, kan skivans kant som går in i fästpunkten skära in i materialet och orsaka att hjulet hoppar ur och kastas bakåt. Hjulet kan antingen hoppa mot eller från användaren, beroende på hjulets rörelseriktning vid kärvningspunkten. Slipskivor kan även gå sönder under dessa omständigheter.

Bakåtkast beror på ovarsamhet och/eller felaktiga arbetsrutiner eller omständigheter för maskinen och kan undvikas genom att vidta nedanstående förebyggande åtgärder.

- a) **Håll stadigt i maskinen och ställ dig så att din kropp och arm kan motverka krafterna vid bakåtkast. Använd alltid ett extrahandtag, om sådant finns, för att maximal kontroll vid bakåtkast eller vridningsrörelsen vid start.** Användaren kan kontrollera vridrörelsen eller krafterna vid bakåtkast om rätt försiktighetsåtgärder vidtas.
- b) **Håll aldrig handen i närheten av det roterande tillbehöret.** Tillbehöret kan kastas bakåt över din hand.
- c) **Ställ dig inte dit maskinen kommer att flytta i händelse av bakåtkast.** Bakåtkast kommer att driva verktyget i motsatt riktning till hjulets rörelse vid kärvningspunkten.
- d) **Var försiktig vid arbeten på hörn, vassa kanter etc. Undvik att studsas och klämma tillbehöret.** Hörn, skarpa kanter eller studsning har en tendens att klämma det roterande tillbehöret och orsaka förlorad kontroll eller bakåtkast.
- e) **Montera inte en sågkedja, snidarblad eller ett tandat sågblad.** Sådana blad orsakar ofta bakåtkast och förlorad kontroll

Säkerhetsvarningar för slipning och abrasiv skärning:

- a) **Använd endast de skivor som rekommenderas för din maskin och det särskilda sprängskyddet för skivan.** Skivor som inte tillverkats för maskinen kan inte skyddas tillräckligt och är inte tillförlitliga.
- b) **Sprängskyddet måste vara ordentligt fäst vid maskinen och placerat för maximal säkerhet, så att minsta möjliga yta av skivan är öppen mot användare.** Sprängskyddet skyddar användaren mot träsiga skivdelar och oavsiktlig kontakt med skivan.
- c) **Skivorna får endast användas till rekommenderade arbetsuppgifter. Till exempel: Slipa inte med en kapskivas utsida.** Abrasiva kapskivor är avsedda för slipning i skivans riktning,

sidokrafter kan spränga sådana skivor.

d) **Använd alltid oskadade skivflänsar i rätt storlek och form till din skiva.** Rätt skivflänsar stöder skivan och minskar risken för att skivan går sönder. Flänsar till kapskivor kan skilja sig från flänsar till slipskivor.

e) **Använd inte nedslitna skivor från större maskiner.** Skivor avsedda för större maskiner är inte lämpliga för mindre maskiners högre varvtal och kan spricka.

Ytterligare särskilda säkerhetsvarningar för abrasiv skärning:

a) **Kärva inte fast kapskivan och använd inte för stor kraft. Skär inte onödigt djupt.** Överbelastning av skivan ökar risken för vridning eller nyponing av skivan i skäret och risken för bakåtkast eller att skivan går sönder.

b) **Ställ dig inte i linje med och bakom den roterande skivan.** När skivan rör sig ifrån dig, kan ett bakåtkast skicka den roterande skivan och maskinen mot dig.

c) **När skivan kärvar eller om en skärning avbryts, stäng av maskinen och håll maskinen stilla tills skivan har stannat helt. Försök aldrig att ta ut kapskivan ur skäret när skivan är i rörelse, för att undvika bakåtkast.** Kontrollera och rätta till eventuella brister för att eliminera risken för kärvning.

d) **Starta inte om skärningen med maskinen i arbetsstycket. Låt maskinen nå full hastighet och gå tillbaka i skäret.** Skivan kan kärva, hoppa ur eller orsaka bakåtkast om maskinen startas om i arbetsstycket.

e) **Stötta långa eller stora arbetsstycken för att minimera risken för att klingan nyper fast och ger bakåtkast.** Långa arbetsstycken böjs av sin egen tyngd. Placera stöd under arbetsstycket nära skärinjen och stöd på båda sidorna, vid kanten på arbetsstycket och på båda sidor av skivan.

f) **Var extra uppmärksam vid genomstick in i en vägg eller andra dolda utrymmen.** Den utskjutande klingan kan säga av gas- eller vattenledningar, elektriska ledningar eller föremål som kan orsaka bakåtkast.

Säkerhetsvarningar särskilt vid slipning:

a) **Använd inte för stora slipskivor. Följ tillverkarens rekommendationer när du väljer slipskiva.** Större slippapper som sticker ut utanför underlaget ger risk för rivning och kan orsaka kärvning, rivning av skivan eller bakåtkast.

Säkerhetsvarningar särskilt vid stålborstning:

a) **Var uppmärksam på att trådbitar kastas ut från borsten även vid normal användning.** Överbelasta inte trådarna genom att anlägga onödigt stor kraft mot borsten. Trådarna kan enkelt gå igenom tunnare klädsel och/eller huden.

b) **Om användning av skydd rekommenderas vid stålborstning, tillåt inte att borstskivan eller**

borsten går emot skyddet. Borstens diameter kan expandera på grund av belastningen eller centrifugalkraften.

Ytterligare säkerhetsvarningar:

17. **Vid användning av nedsänkta center-rondeller, ska endast glasfiberförstärkta rondeller användas.**

18. **ANVÄND ALDRIG sten-skålskivor med denna slipmaskin.** Denna slipmaskin är inte konstruerad för denna typ av skivor och användningen av dessa kan resultera i allvarlig personskada.

19. **Var försiktig så att inte spindeln, flänsen (i synnerhet monteringsytan) eller läsmuttern skadas.** Skador på någon av dessa delar kan medföra att rondellen förstörs.

20. **Se till att rondellen inte är i kontakt med arbetsstycket när du trycker på avtryckaren.**

21. **Låt verktyget vara igång en stund innan den används på arbetsstycket.** Kontrollera att skivan inte vibrerar eller skakar vilket kan innebära att den är felaktigt monterad eller dåligt balanserad.

22. **Slipa endast med den del av rondellen som är avsedd för slipning.**

23. **Se upp för gnistsprut.** Håll maskinen på ett sådant sätt att gnistorna flyger i riktning bort från dig, övriga personer eller brännbart material.

24. **Lämna inte maskinen igång. Använd endast maskinen när du håller den i händerna.**

25. **Rör inte vid arbetsstycket omedelbart efter arbetet.** Det kan vara extremt varmt och orsaka brännskador.

26. **Se alltid till att maskinen är avstängd och sladden utdragen eller att batterikassetten är borttagen innan maskinen underhålls.**

27. **Följ tillverkarens anvisningar för korrekt montering och användning av rondeller.** Hantera rondellerna varsamt och förvara dem på säker plats.

28. **Använd inte separata reducerhylsor eller adapterar för att kunna använda sliprondeller med större hål.**

29. **Använd endast flänsar avsedda för den här maskinen.**

30. **Kontrollera att gänglängden i rondellen är tillräckligt lång för spindellängden om rondellen är avsedd att gängas fast.**

31. **Kontrollera att arbetsstycket är ordentligt fastsatt.**

32. **Tänk på att rondellen fortsätter att rotera efter att maskinen stängts av.**

33. **Om arbetsplatsen är extremt varm och fuktig, eller har hög koncentration av elektriskt ledande damm, ska jordfelsbrytare (30 mA) användas för användarens säkerhet.**

34. **Använd inte maskinen för material som innehåller asbest.**

35. Använd aldrig vatten eller slipvätska.
36. Kontrollera att ventilationsöppningarna inte sätts igen när maskinen används i dammig miljö. Dra ur maskinens nätsladd om det är nödvändigt att ta bort damm. Använd inte metallföremål och undvik att skada inre delar.
37. Använd alltid föreskrivet dammupsamlade sprängskydd när du arbetar med kapskiva.
38. Kapskivor får inte utsättas för sidokrafter.

SPARA DESSA ANVISNINGAR.

⚠VARNING!

GLÖM INTE att noggrant följa säkerhetsanvisningarna för maskinen även efter det att du har blivit van att använda den. OVARSAM hantering eller underlåtenhet att följa säkerhetsanvisningarna i denna bruksanvisning kan leda till allvarliga personskador.

FUNKTIONSBESKRIVNING

⚠FÖRSIKTIGT!

- Se alltid till att maskinen är avstängd och nätsladden urdragen innan du justerar eller funktionskontrollerar maskinen.

Spindellås

⚠FÖRSIKTIGT!

- Aktivera aldrig spindellåset medan spindeln rör sig. Maskinen kan skadas.

Fig.1

Tryck ned spindellåset för att förhindra att spindeln roterar när du monterar eller tar bort tillbehör.

Avtryckarens funktion

⚠FÖRSIKTIGT!

- Innan du ansluter maskinen till elnätet ska du kontrollera att avtryckaren fungerar och återgår till läget "OFF" när du släpper den.
- Knappen kan låsas i läge "ON" för att underlätta användning när maskinen används under längre tid. Var försiktig när du låser maskinen i läge "ON", och fortsatt håll ett stadigt grepp i maskinen.

Fig.2

Maskin med låsknapp för kontinuerlig funktion

Starta maskinen genom att trycka in avtryckaren (i riktning B). Släpp avtryckaren för att stoppa maskinen. För kontinuerlig funktion trycker du först in avtryckaren (i riktning B) och sedan säkerhetsspärren (i riktning A). Tryck in avtryckaren helt (i riktning B) och släpp den sedan för att avbryta det kontinuerliga läget.

Maskin med säkerhetsspärr

En säkerhetsspärr förhindrar oavsiktlig aktivering av avtryckaren.

Tryck in säkerhetsspärren (i riktning A) och tryck sedan in avtryckaren (i riktning B) för att starta maskinen. Släpp avtryckaren för att stoppa maskinen.

Maskin med knapp för kontinuerlig funktion och säkerhetsspärr

En säkerhetsspärr förhindrar oavsiktlig aktivering av avtryckaren.

Tryck in säkerhetsspärren (i riktning A) och tryck sedan in avtryckaren (i riktning B) för att starta maskinen. Släpp avtryckaren för att stoppa maskinen.

Tryck in säkerhetsspärren (i riktning A), tryck in avtryckaren (i riktning B) och dra därefter säkerhetsspärren (i riktning C) för kontinuerlig användning.

Tryck in avtryckare helt (i riktning B) och släpp den sedan för att stoppa maskinen

Indikatorlampa (för modell GA7050R/GA9050R)

Fig.3

Den gröna indikatorlampan lyser när maskinen är inkopplad. Om indikatorlampan inte tänds, kan nätsladden eller styrningen vara defekt. Om indikatorlampan lyser, och maskinen inte startar när du trycker på avtryckaren, kan kolborstarna vara utslitna, eller styrningen, motorn eller strömbrytaren defekt.

Spärr mot oavsiktlig omstart

I händelse av att låsknappen håller avtryckaren intryckt (kontinuerlig drift) startar inte maskinen när du sätter in nätsladden i vägguttaget.

I detta fall blinkar indikatorlampan rött vilket betyder att spärren mot oavsiktlig omstart är aktiverad.

För att inaktivera denna spärr trycker du in avtryckaren helt och släpper den.

Mjukstartfunktion

Dessa modeller startas långsamt. Denna mjukstart underlättar arbetet.

MONTERING

⚠FÖRSIKTIGT!

- Se alltid till att maskinen är avstängd och nätsladden urdragen innan maskinen repareras.

Montera sidohandtaget

⚠FÖRSIKTIGT!

- Kontrollera alltid att sidohandtaget sitter fast ordentligt innan arbetet påbörjas.

Fig.4

Skruva fast sidohandtaget ordentligt på rätt plats på maskinen enligt figuren.

Montera eller demontera sprängskydd (för sliprondell med försänkt centrumhål, multirondell, skivstålborste/kapskiva, diamantskiva)

⚠VARNING!

- När en sliprondell med försänkt centrumhål/multirondell, flexibel rondell eller skivstålborste används, måste sprängskyddet monteras på maskinen så att den slutna sidan alltid är vänd mot användaren.
- Vid användning av en kap-/diamantskiva ska du vara noga med att endast använda specialsprängskyddet som är avsett för användning tillsammans med kapskivor. (I europeiska länder kan det vanliga sprängskyddet användas tillsammans med diamantskivan.)

För maskin med sprängskydd och låsskruv

Fig.5

Montera sprängskyddet så att åsen på sprängskyddets band passar in i urtaget på lagerhuset. Vrid sedan sprängskyddet 180 grader moturs. Dra åt skruven ordentligt.

Gör på omvänt sätt för att ta bort sprängskyddet.

För maskin med sprängskydd och klämspak

Fig.6

Fig.7

Lossa spaken på sprängskyddet. Montera sprängskyddet så att upphöjningen på sprängskyddets band passar in i spåret på lagerhuset. Vrid sedan sprängskyddet till det läge som visas i figuren. Dra åt sprängskyddet med spaken. Om spaken sitter för löst eller för hårt för att kunna fästa sprängskyddet lossar eller drar du åt muttern på sprängskyddets spännband. Gör på omvänt sätt för att ta bort sprängskyddet.

Montera eller demontera rondell med försänkt centrumhål/multirondell (tillbehör)

⚠VARNING!

- Montera alltid det medföljande skyddet när rondeller med försänkt centrumhål/multirondell används. Rondellerna kan splittras under användning och skyddet bidrar till att minska risken för personskador.

Fig.8

Sätt fast innerflänsen på spindeln. Passa in rondellen/skivan på innerflänsen och skruva på låsmuttern på spindeln.

⚠VARNING!

- Använd aldrig en slipskiva som är mer än 6,5 mm tjock.

Superfläns

Modeller med bokstaven F är utrustade med superfläns som standard. Endast 1/3 ansträngning behövs för att

lossa låsmuttern jämfört med konventionell typ.

För Australien och Nya Zeeland

Fig.9

Sätt fast innerflänsen på spindeln. Passa in rondellen/skivan på innerflänsen och skruva på låsmuttern så att åsen pekar nedåt i riktning mot rondellen.

Tryck in spindelläset ordentligt för att dra fast låsmuttern så att spindeln inte kan rotera. Använd sedan tappnyckeln för att dra fast ytterligare.

Fig.10

Gör på omvänt sätt för att ta bort rondellen.

Montera eller demontera sliprondell (valfritt tillbehör)

OBS!

- Använd endast slipningstillbehör som specificeras i denna bruksanvisning. Dessa måste köpas separat.

Fig.11

Sätt fast stödrondellen på spindeln Passa in rondellen över stödrondellen och skruva fast låsmuttern på spindeln. När du ska skruva fast låsmuttern trycker du ned spindelläset så att spindeln inte kan rotera. Dra sedan fast låsmuttern medurs med nyckeln.

Följ monteringsanvisningarna i omvänd ordning för att ta bort rondellen.

Montera eller demontera Ezynut (valfritt tillbehör)

⚠FÖRSIKTIGT!

- Använd inte Ezynut med superfläns eller med vinkelslipmaskin med "F" i slutet av modellnumret. Dessa flänsar är så tjocka att hela gängningen inte kan hållas av spindeln.

Fig.12

Montera innerflänsen, slipskivan/multirondellen och Ezynut på spindeln så att Makitas logotyp på Ezynut är vänt utåt.

Fig.13

Tryck in spindelläset och dra åt Ezynut genom att vrida slipskivan/multirondellen medurs så långt som den går att vrida.

Vrid Ezynut:s ytterringen moturs för att lossa den.

Fig.14

Fig.15

OBS!

- Ezynut kan lossas för hand så länge som pilen är riktad mot skåran. Annars behövs det en tappnyckel för att lossa den. Sätt i en av tappnyckelns stift i ett av hålen och vrid Ezynut moturs.

ANVÄNDNING

⚠VARNING!

- Tänk på att aldrig tvinga maskinen. Maskinens vikt ska utgöra ett tillräckligt tryck. Tvång eller överdrivet tryck kan resultera i farliga rondellbrott.
- Byt ALLTID ut rondellen om den har tappats under slipning.
- Slå ALDRIG med rondellen eller skivan på arbetsstycket.
- Undvik att studsas eller hacka med rondeller, i synnerhet i närheten av hörn, skarpa kanter osv. Det är lätt att i dessa situationer förlora kontrollen över maskinen så att den kastas bakåt.
- Använd ALDRIG maskinen med sågklingor av någon typ. Sådana klingor ger ofta bakåtkast i slipmaskiner och detta kan skada användaren.

⚠FÖRSIKTIGT!

- Starta aldrig maskinen när denna är i kontakt med arbetsstycket. Det kan orsaka personskador.
- Använd alltid skyddsglasögon eller visir under arbetet.
- När du är klar med arbetet ska du vänta tills rondellen stannat helt innan du lägger maskinen åt sidan.

Slipning av trä och metall

Fig.16

Håll ALLTID maskinen i ett fast grepp med ena handen på bakre handtaget och den andra på sidohandtaget. Starta maskinen och börja därefter att slipa arbetsstycket. I allmänhet är det lämpligt att hålla kanten på skivan/rondellen i ungefär 15 graders vinkel mot arbetsstycket.

Under inkörning av en ny skiva/rondell ska slipmaskinen inte föras i riktning B eftersom den då kan köra fast i arbetsstycket. När kanten på skivan/rondellen har rundats av kan den användas i båda riktningarna (A och B).

Användning av den koppformade stålborsten (valfritt tillbehör)

⚠FÖRSIKTIGT!

- Kontrollera hur borsten fungerar genom att köra maskinen utan belastning och försäkra dig om att ingen finns framför eller i linje med borsten
- Använd inte en borste som är skadad eller obalanserad eftersom det kan öka risken för skada vid kontakt med trasiga ståltrådar.

Fig.17

Koppla bort maskinen från elnätet och placera den upp och ned för att lättare komma åt spindeln. Ta bort eventuella tillbehör på spindeln. Montera den koppformade stålborsten på spindeln och dra åt med den medföljande nyckeln. Undvik att använda för mycket tryck vid användning av borsten eftersom det böjer

ståltrådarna för mycket och leder till slitage i förtid.

Användning av skivstålborsten (valfritt tillbehör)

⚠FÖRSIKTIGT!

- Kontrollera hur skivstålborsten fungerar genom att köra maskinen utan belastning och försäkra dig om att ingen finns framför eller i linje med skivstålborsten.
- Använd inte en skivstålborste som är skadad eller obalanserad eftersom det kan öka risken för skada vid kontakt med trasiga ståltrådar.
- Använd ALLTID skydd tillsammans med skivstålborstar och kontrollera att skivdiametern passar innanför skyddet. Skivan kan splittras under användningen och skyddet minskar risken för personskador.

Fig.18

Koppla bort maskinen från elnätet och placera den upp och ned för att lättare komma åt spindeln. Ta bort eventuella tillbehör på spindeln. Montera skivstålborsten på spindeln och dra åt med nycklarna.

Undvik att lägga på för mycket tryck vid användning av skivstålborsten eftersom det böjer ståltrådarna för mycket och leder till slitage i förtid.

Användning av kap-/diamantskiva (valfritt tillbehör)

⚠VARNING!

- Vid användning av en kap-/diamantskiva ska du vara noga med att endast använda specialsprängskyddet som är avsett för användning tillsammans med kapskivor. (I europeiska länder kan det vanliga sprängskyddet användas tillsammans med diamantskivan.)
- Använd ALDRIG kapskivor för sidoslipning.
- Se till att skivan inte "kärvar" och tryck inte hårt. Undvik att göra för djupa skär. Överutnyttjande av skivan ökar belastningen på maskinen och risken för att skivan bänds eller fastnar i spåret ökar, liksom risken för bakåtkast, skivbrott och överhettning av motorn.
- Starta inte skärningen med maskinen i arbetsstycket. Låt skivan uppnå fullt varvtal och sänk försiktigt ned maskinen och för den framåt. Skivan kan fastna, krypa upp eller kastas bakåt om maskinen startas med verktyget i ingrepp i arbetsstycket.
- Under skärningen får skivans vinkel aldrig ändras. Sidotryck på kapskivan (som vid slipning) medför att skivan spricker och sprängs, vilket kan leda till svåra personskador.
- En diamantskiva ska arbetas vinkelrätt mot det material som ska kapas.

Sätt fast innerflänsen på spindeln. Passa in rondellen/skivan på innerflänsen och skruva på låsmuttern på spindeln.

Fig.19

Montera låsmuttern med dess cirkelformade styrdel (utskjutning) för skivhål mot skivan vid montering av en diamantskiva eller en kapskiva som är 7 mm eller grövre.
För Australien och Nya Zeeland

Montera eller demontera kap-/diamantskiva (valfritt tillbehör)

Fig.20

UNDERHÅLL

⚠FÖRSIKTIGT!

- Se alltid till att maskinen är avstängd och nätkabeln urdragen innan inspektion eller underhåll utförs.
- Använd inte bensin, thinner, alkohol eller liknande. Missfärgning, deformation eller sprickor kan uppstå

Fig.21

Maskinen och luftintagen måste vara rena. Rengör maskinens ventilationshål regelbundet eller så snart ventilationen påverkas negativt.

Byte av kolborstar

Fig.22

När hartsspetsen inuti kolborsten kommer i kontakt med kommutatorn stängs motorn automatiskt av. När detta sker ska båda kolborstarna bytas ut. Håll kolborstarna rena så att de lätt kan glida in i hållarna. Båda kolborstarna ska bytas ut samtidigt. Använd endast identiska kolborstar.

Använd en skruvmejsel för att ta bort locken till kolborstarna. Ta ur de utslitna kolborstarna, montera nya och montera locken.

Fig.23

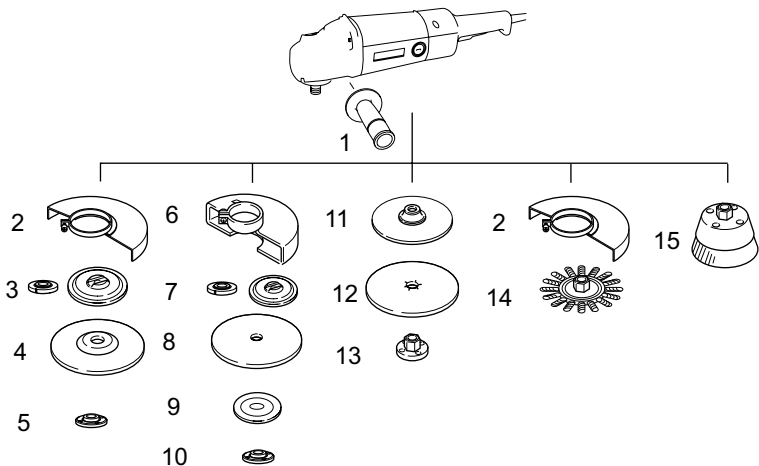
För att upprätthålla produktens SÄKERHET och TILLFÖRLITLIGHET bör allt underhålls- och justeringsarbete utföras av ett auktoriserat Makita servicecenter och med reservdelar från Makita.

TILLBEHÖR

⚠FÖRSIKTIGT!

- Dessa tillbehör och tillsatser rekommenderas för användning tillsammans med den Makita-maskin som denna bruksanvisning avser. Om andra tillbehör eller tillsatser används kan det uppstå risk för personskador. Använd endast tillbehören eller tillsatserna för de syften de är avsedda för.

Kontakta ditt lokala Makita servicecenter om du behöver ytterligare information om dessa tillbehör.



1	Sidohandtag
2	Sprängskydd för rondell med försänkt centrumhål/multirondell/skivstålborste
3	Innerfläns/superfläns/innerfläns 102 (endast Australien och Nya Zeeland)
4	Sliprondell med försänkt centrumhål/multirondell
5	Låsmutter/Ezynut*1
6	Sprängskydd för kap-/diamantskiva*2
7	Innerfläns/superfläns/innerfläns 78 (endast Australien och Nya Zeeland)
8	Kap-/diamantskiva
9	Ytterfläns 78 (endast Australien och Nya Zeeland)*3
10	Låsmutter/Ezynut*1
11	Gummiplatta
12	Sliprondell
13	Låsmutter för slipning
14	Skivstålborste
15	Koppformad stålborste
—	Tappnyckel för låsmutter
—	Dammskyddstillsats

*1 Använd inte superfläns och Ezynut tillsammans.

*2 I europeiska länder kan, vid användning av en diamantskiva, det vanliga sprängskyddet användas istället för specialsprängskyddet, som täcker båda sidor av skivan.

*3 Använd innerfläns 78 och ytterfläns 78 tillsammans. (Endast Australien och Nya Zeeland)

Oversiktsforklaring

1-1. Spindellås	9-3. Indre flens	19-4. Skivevern for slipende kappeskive/diamantskive
2-1. Startbryter	10-1. Låsemuttermøkkel	20-1. Låsemutter
2-2. Låsehendel	10-2. Spindellås	20-2. Ytre flens 78
3-1. Indikatorlampe	11-1. Låsemutter	20-3. Slipende kappeskive/diamantskive
5-1. Beskyttelseskappe	11-2. Slipeskive	20-4. Indre flens 78
5-2. Skrue	11-3. Gummirondell	20-5. Skivevern for slipende kappeskive/diamantskive
5-3. Lagerboks	12-1. Ezynut	21-1. Lufttulløp
6-1. Beskyttelseskappe	12-2. Slipeskive/multiskive	21-2. Luftinntak
6-2. Lagerboks	12-3. Indre flens	22-1. Kommutator
6-3. Mutter	12-4. Spindel	22-2. Isolerende spiss
6-4. Spak	13-1. Spindellås	22-3. Kullbørste
7-1. Mutter	14-1. Pål	23-1. Børsteholderherette
7-2. Spak	14-2. Fordypning	23-2. Skrutrekker
8-1. Låsemutter	17-1. Sirkulær stålborste	
8-2. Slipeskive med forsenket nav	18-1. Skivebørste	
8-3. Indre flens	19-1. Låsemutter	
8-4. Superflens	19-2. Slipende kappeskive/diamantskive	
9-1. Låsemutter	19-3. Indre flens	
9-2. Slipeskive med forsenket nav		

TEKNISKE DATA

Modell	GA7050	GA7050R	GA9050	GA9050R
Diameter for slipeskive med forsenket nav	180 mm	180 mm	230 mm	230 mm
Spindelgjenge	M14	M14	M14	M14
Hastighet uten belastning (n_0) / nominell hastighet (n)	8 500(min ⁻¹)	8 500(min ⁻¹)	6 600(min ⁻¹)	6 600(min ⁻¹)
Total lengde	432 mm	455 mm	432 mm	455 mm
Nettovekt	4,5 kg	4,6 kg	4,7 kg	4,8 kg
Sikkerhetsklasse	II			

- Som følge av vårt kontinuerlige forsknings- og utviklingsprogram kan de tekniske dataene endres uten ytterligere forvarsel.
- Tekniske data kan variere fra land til land.
- Vekt i henhold til EPTA-prosedyre 01/2003

Riktig bruk

Maskinen er beregnet på sliping, pussing og kutting av metall og steinmaterialer uten bruk av vann.

ENE048-1

ingen negative virkninger vil oppstå. Nettuttaket som brukes til dette apparatet må være beskyttet av en treg sikring eller et tregt overlastvern.

ENG905-1

Strømforsyning

Maskinen må bare kobles til en strømkilde med samme spenning som vist på typeskiltet, og kan bare brukes med enfase-vekselstrømforsyning. Den er dobbelt verneisoleret og kan derfor også brukes fra kontakter uten jording.

ENF002-2

Støy

Typisk A-vektet lydtrykknivå er bestemt i henhold til EN60745:

- Lydtrykknivå (L_{pA}) : 94 dB(A)
- Lydeffektnivå (L_{WA}) : 105 dB(A)
- Usikkerhet (K): 3 dB(A)

Bruk hørselvern

For modell GA7050, GA9050

ENF100-1

For offentlige lavspenningsnett på mellom 220 V og 250 V.

Inn- og utkobling av elektriske apparater forårsaker spenningsvariasjoner. Bruken av dette apparatet under uheldige forhold i strømmettet kan ha negative virkninger på bruken av annet utstyr. Når strømnnettimpedansen er lik eller lavere enn 0,22 ohm, er det grunn til å anta at

ENG900-1

Vibrasjon

Den totale vibrasjonsverdien (triaksial vektorsum) bestemt i henhold til EN60745:

Modell GA7050,GA7050R

Arbeidsmåte: overflatesliping

Genererte vibrasjoner ($a_{h,AG}$) : 6,5 m/s²

Usikkerhet (K): 1,5 m/s²

Arbeidsmåte: Sliping med slipeskive

Genererte vibrasjoner ($a_{h,DS}$) : 4,0 m/s²

Usikkerhet (K): 1,5 m/s²

Modell GA9050,GA9050R

Arbeidsmåte: overflatesliping

Genererte vibrasjoner ($a_{h,AG}$) : 5,5 m/s²

Usikkerhet (K): 1,5 m/s²

Arbeidsmåte: Sliping med slipeskive

Genererte vibrasjoner ($a_{h,DS}$) : 2,5 m/s²

Usikkerhet (K): 1,5 m/s²

ENG902-1

- Den angitte verdien for de genererte vibrasjonene er blitt målt i samsvar med standardtestmetoden og kan brukes til å sammenlikne et verktøy med et annet.
- Den angitte verdien for de genererte vibrasjonene kan også brukes til en foreløpig vurdering av eksponeringen.
- Den oppgitte verdien for genererte vibrasjoner brukes for hovedbruksområdene for elektroverktøyet. Hvis verktøyet brukes til andre formål, kan verdien for de genererte vibrasjonene være en annen.

ADVARSEL:

- De genererte vibrasjonene ved faktisk bruk av elektroverktøyet kan avvike fra den oppgitte vibrasjonsverdien, avhengig av hvordan verktøyet brukes.
- Vær påpasselig med å finne sikkerhetstiltak som beskytter operatøren, basert på en oppfatning av risiko under faktiske bruksforhold (på bakgrunn av alle sider ved brukssyklusen, som når verktøyet slås av og når det går på tomgang, i tillegg til oppstarten).

ENH101-15

Gjelder bare land i Europa

EF-samsvarserklæring

Som ansvarlig produsent erklærer Makita Corporation at følgende Makita-maskin(er):

Maskinbetegnelse:

Vinkelsliper

Modellnr./type: GA7050, GA7050R, GA9050, GA9050R

er serieprodusert og

samsvarer med følgende europeiske direktiver:

2006/42/EC

og er produsert i samsvar med følgende standarder eller standardiserte dokumenter:

EN60745

Den tekniske dokumentasjonen oppbevares hos vår autoriserte representant i Europa, som er:

Makita International Europe Ltd.

Michigan Drive, Tongwell,

Milton Keynes, Bucks MK15 8JD, England

26.6.2009



000230

Tomoyasu Kato

Direktør


Makita Corporation

3-11-8, Sumiyoshi-cho,

Anjo, Aichi, 446-8502, JAPAN

GEA010-1

Generelle advarsler angående sikkerhet for elektroverktøy

 **ADVARSEL** Les alle sikkerhetsadvarslene og alle instruksjonene. Hvis du ikke følger alle advarslene og instruksjonene som er oppført nedenfor, kan det føre til elektriske støt, brann og/eller alvorlige helseskader.

Oppbevar alle advarsler og instruksjoner for senere bruk.

GEB033-4

SIKKERHETSANVISNINGER FOR VINKELSLIPER

Vanlige sikkerhetsadvarsler for sliping, pussing, stålbørsting og kapping :

1. **Dette elektriske verktøyet er beregnet for sliping, pussing, stålbørsting og kapping. Les alle sikkerhetsadvarsler, instruksjoner, illustrasjoner og spesifikasjoner som følger med dette elektriske verktøyet.** Unnlattelse av å følge alle instruksjoner i oversikten nedenfor, kan føre til elektrisk støt, brann og alvorlige skader.
2. **Polering bør ikke utføres med dette verktøyet.** Bruk av verktøyet til noe annet enn det er beregnet for, kan medføre fare og forårsake personskade.
3. **Ikke bruk tilbehør som ikke er spesielt beregnet og anbefalt av verktøyprodusenten.** Selv om tilbehøret kan monteres på elektroverktøyet, er ikke det noen garanti for sikker bruk.
4. **Angitt hastighet for tilbehøret må være minst like høy som største angitte hastighet på elektroverktøyet.** Tilbehør som kjøres med større hastighet enn det som er angitt, kan gå i stykker og slynges ut.
5. **Den ytre diameteren og tykkelsen på tilbehøret må ligge innenfor den angitte kapasiteten for**

elektroverktøyet. Tilbehør med feil dimensjoner kan ikke sikres eller kontrolleres fullgodt.

6. **Akselstørrelsen på hjul, flenser, bakrondeller og annet tilbehør må være godt tilpasset spindelen på verktøyet.** Tilbehør med akselhull som ikke passer med monteringsmekanismen til verktøyet, vil komme ut av balanse, vibrere sterkt og muligens forårsake at du mister kontrollen.
7. **Ikke bruk skadet tilbehør.** Før bruk må du undersøke om tilbehør som slipeskiver har hakk eller sprekker, om bakrondeller har sprekker eller er slitt og om stålborster har løse eller ødelagte tråder. Hvis det elektriske verktøyet eller tilbehøret mistes, må du undersøke om det har oppstått skade og eventuelt skifte det ut med uskadd tilbehør. Når et tilbehør er undersøkt og montert, skal du plassere deg selv og andre utenfor tilbehørets rotasjonsplan og kjøre verktøyet på maksimal hastighet, uten belastning, i ett minutt. Skadd tilbehør vil vanligvis gå i stykker i løpet av en slik test.
8. **Bruk personvernustyr. Bruk ansiktsskjold, beskyttelsesbriller eller vernebriller, alt avhengig av bruken. Bruk etter behov støvmaske, hørselsvern, hansker og beskyttelsesdekke som kan stoppe små slipepartikler eller fragmenter fra arbeidsstykket.** Beskyttelsesbrillene må kunne stoppe flygende deler fra bruken av verktøyet. Støvmasken eller pustemasken må kunne filtrere partikler som dannes ved bruken av verktøyet. Kraftig lyd over lengre tid kan forårsake redusert hørsel.
9. **Hold tilskuere på trygg avstand fra arbeidsområdet. Alle som beveger seg inn i arbeidsområdet må bruke personvernustyr.** Fragmenter fra arbeidsstykket eller fra skadet tilbehør kan slynges ut og forårsake skade utenfor det nære arbeidsområdet.
10. **Hold elektroverktøyet bare i de isolerte håndtakene når du utfører arbeid der kappetilbehøret kan komme i kontakt med skjulte ledninger eller ledningen til maskinen.** Hvis kappetilbehøret får kontakt med en strømførende ledning kan det gjøre uisolerte deler av maskinen strømførende og gi operatøren elektrisk støt.
11. **Plasser ledningen unna det roterende tilbehøret.** Hvis du mister kontrollen, kan ledningen kuttes av eller henge fast og hånden eller armen din kan bli trukket inn til det roterende tilbehøret.
12. **Ikke legg ned elektroverktøyet før tilbehøret har stoppet helt.** Det roterende tilbehøret kan få feste i overflaten og trekke elektroverktøyet ut av kontroll.

13. **Ikke kjør elektroverktøyet når du bærer det langs siden.** Utilsiktet kontakt med roterende tilbehør kan føre til at det fester i klærne og trekkes inn mot kroppen.
14. **Rengjør verktøyets luftventiler regelmessig.** Motorens vifte trekker støv inn i verktøyhuset og mye oppsamlet metallstøv kan medføre elektrisk fare.
15. **Ikke bruk elektroverktøyet nær brennbare materialer.** Gnister kan antenne slike materialer.
16. **Ikke bruk tilbehør som krever kjølevæske.** Bruk av vann eller andre kjølevæsker kan føre til elektrisk støt.

Tilbakeslag og relaterte advarsler

Tilbakeslag er en plutselig reaksjon på en klemt eller fastsittende skive, bakrondell, børste eller annet tilbehør. Fastklemming forårsaker plutselig stopp av det roterende tilbehøret, noe som i sin tur gjør at det ukontrollerbare elektroverktøyet kastes i motsatt retning av tilbehørets rotasjonsretning ved fastklemmingspunktet

Hvis for eksempel en slipeskive klemmes fast i arbeidsstykket, kan kanten på skiven som er fastklemt, grave seg inn i overflaten på materialet og føre til at skiven graver seg ut eller slås ut. Skiven kan enten hoppe mot eller fra operatøren, avhengig av skivens bevegelse i fastklemmingspunktet. Slike forhold kan også føre til brudd i skivene.

Tilbakeslag er et resultat av feil bruk av elektroverktøyet eller feilaktige arbeidsprosedyrer eller arbeidsforhold, og det kan unngås hvis man tar de rette forholdsregler (se nedenfor).

- a) **Hold et godt grep om elektroverktøyet og plasser kroppen og armen slik at du kan motstå tilbakeslagskraften. Bruk alltid hjelpehåndtak når det følger med, for å få best mulig kontroll over tilbakeslag eller dreiemomentreaksjonen ved oppstart.** Operatøren kan kontrollere dreiemomentreaksjonen eller tilbakeslagskreftene hvis de riktige forholdsreglene tas.
- b) **Ikke plasser hånden nær det roterende tilbehøret.** Tilbehøret kan slå tilbake over hånden.
- c) **Ikke plasser kroppen i det området elektroverktøyet kan slå tilbake i.** Et tilbakeslag vil drive verktøyet tilbake i motsatt retning av skivens retning i fastklemmingspunktet.
- d) **Vær ekstra forsiktig ved arbeid i hjørner, på skarpe kanter og lignende. Unngå å støte eller klemme fast tilbehøret.** Hjørner, skarpe kanter eller støt har en tendens til å klemme fast det roterende tilbehøret og forårsake tap av kontrollen eller tilbakeslag.
- e) **Ikke bruk et sagkjedeblad for treskjærerarbeid eller et tannet sagblad.** Slike blad forårsaker regelmessige tilbakeslag og tap av kontroll

Spesifikke sikkerhetsadvarsler for sliping og kapping :

- a) **Bruk bare skiver som er anbefalt for elektroverktøyet.** Skiver som ikke er beregnet for verktøyet, kan ikke sikres godt nok og er utrygge.
- b) **Vernet må festes godt til verktøyet og plasseres slik at det gir størst mulig sikkerhet og slik at minst mulig av skiven vender mot brukeren.** Vernet bidrar til å beskytte brukeren mot brukne skivefragmenter og utilsiktet kontakt med skiven.
- c) **Skiver må bare brukes slik det er anbefalt. For eksempel: ikke slip med siden av en kappeskive.** Kappeskiver for pussing er bare beregnet for periferisk pussing. Sidekrefter mot disse skivene kan få dem til å knuses.
- d) **Bruk alltid uskadede skiveflenser med riktig størrelse og form for skiven du har valgt.** Riktige skiveflenser støtter skiven og reduserer muligheten for skivebrudd. Skiveflenser for kappeskiver kan være forskjellige fra skiveflenser for pusseskiver.
- e) **Ikke bruk utslitte skiver fra større elektroverktøy** Skiver fra større elektroverktøy passer ikke for den høyere hastigheten til mindre verktøy og kan sprekke.

Ekstra sikkerhetsadvarsler for kapping :

- a) **Ikke klem fast kappeskiven eller legg sterk press på den. Ikke forsøk å foreta ekstra dype kutt.** Overbelastning av skiven øker belastningen og muligheten for vridning eller fastklemming av skiven i kuttet, noe som kan føre til tilbakeslag eller skivebrudd.
- b) **Ikke still deg på linje med eller bak den roterende skiven.** Når skiven beveger seg bort fra deg ved bruksstedet, kan et mulig tilbakeslag drive den roterende skiven og verktøyet rett mot deg.
- c) **Når skiven setter seg fast eller når du av en eller annen grunn vil avbryte kappingen, må du slå av verktøyet og holde det stille til skiven har stoppet helt. Du må aldri forsøke å trekke kutteskiven ut av kuttet mens skiven er i bevegelse. Det kan føre til tilbakeslag.** Undersøk hvorfor skiven sitter fast og foreta nødvendige tiltak
- d) **Ikke start kappingen på nytt mens skiven står i arbeidsstykket. La skiven få full hastighet og sett den forsiktig i kuttet.** Skiven kan sette seg fast, gå opp eller slå tilbake hvis verktøyet startes med skiven i arbeidsstykket.
- e) **Støtt opp plater og større arbeidsstykker for å redusere faren for at bladet kommer i beknip og slår tilbake.** Store arbeidsstykker har en tendens til å bøye seg under sin egen vekt. Støttene må plasseres under arbeidsstykket på begge sider, nær kuttet og kanten av arbeidsstykket.

- f) **Vær ekstra forsiktig når du foretar et innstikk i eksisterende vegger eller andre områder uten innsyn.** Den utstikkende skiven kan kutte gass- eller vannrør, elektriske ledninger eller gjenstander som kan forårsake tilbakeslag.

Spesielle sikkerhetsadvarsler for pussing:

- a) **Ikke bruk for stort pussepapir. Følg produsentens anbefalinger når du velger pussepapir.** Stort papir som stikker utenfor pusseputen, kan forårsake oppriving og føre til slitasje eller tilbakeslag på skiven.

Spesielle sikkerhetsadvarsler for stålborsting:

- a) **Vær oppmerksom på at metalltråder kan løsne fra børsten også ved vanlig bruk. Ikke overbelast metalltrådene ved å legge ekstra trykk på børsten.** Metalltrådene kan lett trenge gjennom tynne klær og hud.
- b) **Hvis det anbefales bruk av vern ved stålborsting, må du unngå kontakt mellom stålborsteskenen eller børsten og vernet.** Stålskiver eller børster kan utvide seg på grunn av arbeidsbelastningen og sentrifugalkraftene.

Ekstra sikkerhetsadvarsler:

17. **Når du bruker slipeskiver med forsenket nav, må du passe på å bare å bruke glassfiberarmerte skiver.**
18. **BRUK ALDRI denne vinkelsliperen med slipeskiver av typen Stone Cup.** Denne vinkelsliperen er ikke konstruert for denne typen hjul, og bruk av et slikt produkt kan resultere i alvorlige helseskader.
19. **Vær forsiktig så du ikke ødelegger spindelen, flensen (særlig monteringsflaten) eller låsemutteren.** Skade på disse delene kan føre til at skiven brytter.
20. **Forviss deg om at skiven ikke har kontakt med arbeidsstykket før startbryteren er slått på.**
21. **Før du begynner å bruke verktøyet på et arbeidsstykke, bør du la det gå en liten stund. Se etter vibrasjoner eller vingling som kan tyde på at skiven er dårlig balansert.**
22. **Bruk den angitte overflaten av skiven til å utføre sliping.**
23. **Se opp for flygende gnister. Hold maskinen slik at gnistene flyr bort fra deg og andre personer eller brennbare materialer.**
24. **Ikke gå fra verktøyet mens det er i gang. Verktøyet må bare brukes mens operatøren holder det i hendene.**
25. **Ikke berør arbeidsstykket umiddelbart etter bruk. Det kan være ekstremt varmt og kan gi deg brannskader.**
26. **Forsikre deg alltid om at maskinen er slått av og koblet fra eller at batteriet er tatt ut før du utfører noe arbeid på maskinen.**
27. **Følg produsentens anvisninger for korrekt montering og bruk av skiver. Håndter og oppbevar skivene forsiktig.**

28. Ikke bruk separate reduksjonsbøssinger eller adaptere for å tilpasse slipeskiver med store hull.
29. Bruk bare flenser som er spesifisert for denne maskinen.
30. For maskiner som er beregnet på å bli utstyrt med gjengehullsskive, må du forvise deg om at gjengen i huller er lang nok til å passe til spindellengden.
31. Forviss deg om at arbeidsstykket står støtt.
32. Ta hensyn til at skiven fortsetter å rotere etter at maskinen er slått av.
33. Hvis arbeidsplassen er ekstremt varm og fuktig, eller svært forurenset med elektrisk ledende støv, må du bruke en kortslutningsbryter (30 mA) for å ivareta operatørens sikkerhet.
34. Ikke bruk maskinen på materialer som inneholder asbest.
35. Ikke bruk vann eller slipeolje.
36. Forviss deg om at lufteåpningene holdes åpne når du arbeider under støvete forhold. Hvis det skulle bli nødvendig å fjerne støv, må du først koble maskinen fra strømmettet. Bruk ikke-metalliske gjenstander til rengjøringen, og unngå å skade indre deler.
37. Når du bruker kappeskiven, må du alltid bruke beskyttelseskappen med støvoppsamler, slik lokale bestemmelser krever.
38. Kappeskiver må ikke utsettes for trykk fra siden.

TA VARE PÅ DISSE INSTRUKSENE.

⚠ADVARSEL:

Selv om du har brukt produktet mye og føler deg fortrolig med det, er det likevel svært viktig at du følger nøye de retningslinjene for sikkerhet som er utarbeidet for dette produktet. MISBRUK av verktøyet eller mislighold av sikkerhetsreglene i denne brukerhåndboken kan resultere i alvorlige helseskader.

FUNKSJONSBESKRIVELSE

⚠FORSIKTIG:

- Forviss deg alltid om at maskinen er slått av og støpelet trukket ut av kontakten før du justerer maskinen eller kontrollerer dens mekaniske funksjoner.

Spindellås

⚠FORSIKTIG:

- Du må aldri aktivere spindellåsen mens spindelen beveger seg. Maskinen kan bli ødelagt.

Fig.1

Trykk på spindellåsen for å forhindre spindelrotasjon når du monterer eller fjerner tilbehør.

Bryterfunksjon

⚠FORSIKTIG:

- Før du kobler maskinen til strømmettet, må du alltid kontrollere at startbryteren aktiverer maskinen på riktig måte og går tilbake til "AV"-stilling når den slippes.
- Bryteren kan sperres i "ON"-stilling for å gjøre det lettere for operatøren ved langvarig bruk. Vær forsiktig når du sperrer verktøyet i "ON"-stilling, og hold det godt fast.

Fig.2

For maskiner med PÅ-sperreknapp

Trykk på startbryteren (i B-retningen) for å starte maskinen. Slipp startbryteren for å stoppe verktøyet. For kontinuerlig drift, må du trykke på startbryteren (i B-retningen) og deretter skyve inn sperrespaken (i A-retningen). Hvis du vil stoppe maskinen mens den er låst i "ON"-stilling, må du trykke startbryteren helt inn (i B-retningen) og så slippe den igjen.

For maskiner med AV-sperreknapp

For å hindre at startbryteren trykkes ved en feiltakelse, har maskinen en sperrespak.

Skyv inn sperrespaken (i A-retningen) og trykk på startbryteren (i B-retningen) for å starte maskinen. Slipp startbryteren for å stoppe verktøyet.

For maskiner med PÅ-sperreknapp og

AV-sperreknapp

Låsespaken finnes for å hindre at startbryteren aktiveres utilsiktet.

Når du skal starte verktøyet, trykker du inn låsespaken (i A-retningen), og trekker deretter i startbryteren (i B-retningen). Slipp ut startbryteren for å stoppe.

For kontinuerlig drift, trykk inn låsespaken (i retning A), trekk i startbryteren (i retning B), og trekk deretter i låsespaken (i retning C).

Stopp verktøyet fra låst posisjon ved å trekke startbryteren helt ut (i retning B), og deretter slipp.

Indikatorlampe (for modell GA7050R/GA9050R)

Fig.3

Lampen lyser grønt når verktøyet er koblet til. Hvis indikatorlampen ikke tennes, kan det være feil på strømledningen eller kontrolleren. Hvis indikatorlampen tennes, men maskinen ikke starter, selv om den er slått på, kan kullbørstene være slitt, eller det kan være en defekt i kontrolleren, motoren eller på/av-bryteren.

Sikker mot utilsiktet omstart

Selv om sperreknappen holder startbryteren inntrykket (lås på-stilling), kan ikke verktøyet omstarte selv om verktøyet er tilkoblet.

Nå vil indikasjonslampen blinke rødt og vise at sikringen mot utilsiktet start er aktivert.

Slå av sikringen mot utilsiktet start ved å trekke ut startbryteren helt og slippe den.

Mykstartfunksjon

Disse modellene begynner å kjøre sakte når de slås på. Denne mykstartfunksjonen gjør det enklere å bruke maskinen.

MONTERING

⚠️FORSIKTIG:

- Forviss deg alltid om at maskinen er slått av og støpselet trukket ut av kontakten før du utfører noe arbeid på maskinen.

Montere støttehåndtak (hjelpéhåndtak)

⚠️FORSIKTIG:

- Forviss deg alltid om at støttehåndtaket er skikkelig montert før du tar maskinen i bruk.

Fig.4

Skrú støttehåndtaket godt fast på maskinen i den stillingen som er vist på figuren.

Montere eller demontere beskyttelseskappen (for skive med forsenket nav, flerskive, skivebørste/kappeskive, diamantskive)

⚠️ADVARSEL:

- Ved bruk av slipeskive med forsenket nav/multidisk, flex-skive eller stålborste, må beskyttelseskappen settes på verktøyet slik at den lukkede siden av kappen vender mot operatøren.
- Ved bruk av slipende kappeskive/diamantskive må du passe på å bruke bare det spesielle skivevernet som er beregnet på bruk med kappeskiver. (I Europa kan det vanlige vernet brukes ved bruk av diamantskive.)

For verktøy med låseskrue med beskyttelseskappe

Fig.5

Monter beskyttelseskappen slik at fremspringet på kappen ligger overrett med hakket i lagerboksen. Drei deretter beskyttelseskappen 180 grader mot klokken. Forviss deg om at du har trukket skruen godt til.

Fjern beskyttelseskappen ved å følge installeringsfremgangsmåten i motsatt rekkefølge.

For verktøy med klemmespak med beskyttelseskappe

Fig.6

Fig.7

Løsne spaken på beskyttelsesknappen. Monter beskyttelseskappen slik at fremspringet på beskyttelseskappen ligger overrett med hakket i lagerboksen. Drei deretter beskyttelseskappen rundt slik bildet viser. Fest spaken til beskyttelseskappen. Hvis spaken er for stram eller for løs til å feste beskyttelseskappen, løsne eller trekk til skruen for å justere beskyttelseskappen.

Fjern beskyttelseskappen ved å følge installeringsfremgangsmåten i motsatt rekkefølge.

Installere eller fjerne nedtrykket, sentrert slipeskive / multidisk (tilleggsutstyr)

⚠️ADVARSEL:

- Du må alltid bruke det medfølgende vernet når den nedtrykte, sentrerte slipeskiven / multidisken er montert på verktøyet. Skiven kan knuse ved bruk, og vernet bidrar til å redusere faren for helseskader.

Fig.8

Monter den indre flensen på spindelen. Sett skiven/disken på den indre flensen og skrú låsemutteren på spindelen.

⚠️ADVARSEL:

- Bruk aldri en slipeskive som er mer enn 6,5 mm tykk.

Superflens

Modeller med bokstaven F er som standard utstyrt med superflens. Det er bare nødvendig med 1/3 kraft for å løsne låsemutteren sammenlignet med den konvensjonelle typen.

For Australia og New Zealand

Fig.9

Monter den indre flensen på spindelen. Sett skiven/disken på den indre flensen og skrú låsemutteren med fremspringet vendt nedover (mot skiven). Stram låsemutteren ved å trykke så kraftig på spindellåsen at spindelen ikke kan rotere, og bruk låsemutternøkkelen til å stramme mutteren godt med klokken.

Fig.10

Fjern skiven ved å følge installeringsfremgangsmåten i motsatt rekkefølge.

Montere eller fjerne slipeskive (valgfritt tilbehør)

MERK:

- Bruk slipetilbehør spesifisert i denne håndboken. Disse må kjøpes separat.

Fig.11

Monter gummirondellen på spindelen. Sett skiven på gummirondellen og skrú låsemutteren på spindelen. Stram låsemutteren ved å trykke så kraftig på spindellåsen at spindelen ikke kan rotere, og bruk låsemutternøkkelen til å stramme mutteren godt med klokken.

Fjern skiven ved å følge installeringsfremgangsmåten i motsatt rekkefølge.

Montere eller fjerne Ezynut (valgfritt tilbehør)

⚠️FORSIKTIG:

- Ikke bruk Ezynut med superflens eller vinkelsliper med "F" til slutt i modellnummeret. Disse flensene er så tykke at ikke spindelen kan holde hele det

gjengede området.

Fig.12

Monter indre flens, slipeskive/multiskive og Ezynut på spindelen slik at Makita-logoen på Ezynut vender utover.

Fig.13

Press aksellåsen godt på og stram Ezynut ved å dreie slipeskiven/multiskiven så langt som mulig medurs. Drei den utvendige ringen på Ezynut moturs for å løsne.

Fig.14

Fig.15

MERK:

- Du kan løsne Ezynut for hånd så lenge pilen peker mot innsnittet. Ellers må du bruke en løsemutternøkkel for å løsne den. Sett én stift på nøkkelen i et hull og drei Ezynut moturs.

BRUK

⚠ADVARSEL:

- Det burde aldri være nødvendig å bruke makt på maskinen. Vekten av maskinen utøver passende trykk. Maktbruk og for stort trykk kan føre til farlig brudd i skiven.
- Skiven må ALLTID skiftes hvis maskinen mistes under sliping.
- ALDRI dunk eller slå slipeskiven mot arbeidsstykket.
- Unngå at skiven hopper eller setter seg fast, særlig ved sliping av hjørner, skarpe kanter osv. Dette kan føre til at du mister kontrollen, og at maskinen slår tilbake mot deg.
- Maskinen må ALDRI brukes med skjæreblader for tre eller andre sagblader. Hvis slike blader brukes på en slipemaskin, kan de ofte føre til slag fra maskinen, slik at operatøren mister kontrollen og blir skadet.

⚠FORSIKTIG:

- Maskinen må aldri slås på mens den er i berøring med arbeidsstykket, da dette kan skade operatøren.
- Bruk alltid vernebriller eller ansiktsmaske ved arbeid med maskinen.
- Når du er ferdig å bruke maskinen må du alltid slå den av og vente til skiven har stoppet helt før du setter maskinen ned.

Sliping og pussing

Fig.16

Maskinen må ALLTID holdes i fast grep med en hånd på det bakre håndtaket og den andre på støttehåndtaket. Slå på maskinen og sett så skiven i berøring med arbeidsstykket.

Generelt skal kanten av skiven holdes i en vinkel på omtrent 15 grader mot overflaten av arbeidsstykket.

I innkjøringsperioden for en ny skive må slipemaskinen ikke brukes i B-retning, da dette vil føre til at den skjærer

inn i arbeidsstykket. Så snart kanten av skiven er rundet av etter å være brukt litt, kan den brukes i både A- og B-retning.

Bruke sirkulær stålborste (valgfritt tilbehør)

⚠FORSIKTIG:

- Kontroller driften av børsten ved å kjøre verktøyet uten belastning, og forsikre deg om at ingen er foran eller ved siden av børsten.
- Ikke bruk en børste som er skadet, eller som ikke er balansert. Hvis du bruker en skadet børste, kan dette øke faren for personskade ved kontakt med ødelagte børstetråder.

Fig.17

Plugg fra verktøyet og legg det opp-ned slik at du får enkel tilgang til spindelen. Demonter alt tilbehør fra spindelen. Monter den sirkulære stålborsten på spindelen og trekk til med den medfølgende nøkkelen. Når du bruker børsten, må du unngå å bruke for mye trykk, som fører til at trådene bøyes for mye, og børsten får redusert levetid.

Bruke skivebørste (valgfritt tilbehør)

⚠FORSIKTIG:

- Kontroller driften av skivebørsten ved å kjøre verktøyet uten belastning, og forsikre deg om at ingen er foran eller ved siden av skivebørsten.
- Ikke bruk en skivebørste som er skadet, eller som ikke er balansert. Hvis du bruker en skadet skivebørste, kan dette øke faren for personskade ved kontakt med ødelagte børstetråder.
- Bruk ALLTID beskyttelseskappen med skivebørster, og pass på at skivens diameter passer inne i beskyttelseskappen. Skiven kan splintres under bruk. Beskyttelseskappen bidrar til å hindre personskader.

Fig.18

Plugg fra verktøyet og legg det opp-ned slik at du får enkelt tilgang til spindelen. Demonter alt tilbehør fra spindelen. Skru skivebørsten på spindelen og stram med nøklene.

Når du bruker skivebørsten, må du unngå å må du unngå å bruke for mye trykk, som fører til at trådene bøyes for mye, og børsten får redusert levetid.

Bruke kappeskive/diamantskive (valgfritt tilbehør)

⚠ADVARSEL:

- Ved bruk av slipende kappeskive/diamantskive må du passe på å bruke bare det spesielle skivevernet som er beregnet på bruk med kappeskiver. (I Europa kan det vanlige vernet brukes ved bruk av diamantskive.)
- IKKE bruk kappeskiver til sideveis sliping.
- Ikke klem fast skiven eller legg sterk press på den. Ikke foreta ekstra dype kutt. For mye press på

skiven øker belastningen og muligheten for vridning eller fastklemming av skiven i kuttet, noe som kan føre til tilbakeslag, skivebrudd og overoppheting av motoren.

- Ikke start kappingen på nytt mens skiven står i arbeidsstykket. La skiven få full hastighet og sett den forsiktig i kuttet samtidig som du beveger verktøyet fremover over overflaten av arbeidsstykket. Skiven kan sette seg fast, vandre opp eller slå tilbake hvis verktøyet startes med skiven i arbeidsstykket.
- Ikke endre vinkel på skiven under bruk. Legger du sideveis press på kappeskiven (som ved pussing), kan det føre til at skiven sprekker og brytes i stykker, noe som kan føre til alvorlig personskade.
- En diamantskive skal brukes vinkelrett på materialet som kuttes.

Monter den indre flensen på spindelen. Sett skiven/disken på den indre flensen og skru låsemutteren på spindelen.

Fig.19

Når du monterer en diamantskive eller en kappeskive med skivetykkelse på 7 mm eller mer, må låsemutteren monteres med den sirkulære innføringsenden (fremskytningen) for skiveboringen, vendt mot skiven.

For Australia og New Zealand

Montere eller fjerne kappeskive/diamantskive (valgfritt tilbehør)

Fig.20

VEDLIKEHOLD

⚠FORSIKTIG:

- Forviss deg alltid om at maskinen er slått av og støpselet trukket ut av kontakten før du foretar inspeksjon eller vedlikehold.
- Aldri bruk gasolin, bensin, tynner alkohol eller lignende. Det kan føre til misfarging, deformering eller sprekkdannelse.

Fig.21

Maskinen og dens lufteråpninger må holdes rene. Rengjør maskinens lufteråpninger med jevne mellomrom eller når åpningene begynner å tettes.

Skifte kullbørster

Fig.22

Når den isolerende harpiksspissen inne i kullbørsten er eksponert for kontakt med kommutatoren, vil den automatisk slå av motoren. Når dette skjer, må begge kullbørstene skiftes. Hold kullbørstene rene og fri til å bevege seg i holderne. Begge kullbørstene må skiftes samtidig. Bruk bare identiske kullbørster.

Bruk en skrutrekker til å fjerne børsteholderhettene. Ta ut de slitte kullbørstene, sett i nye, og fest børsteholderhettene.

Fig.23

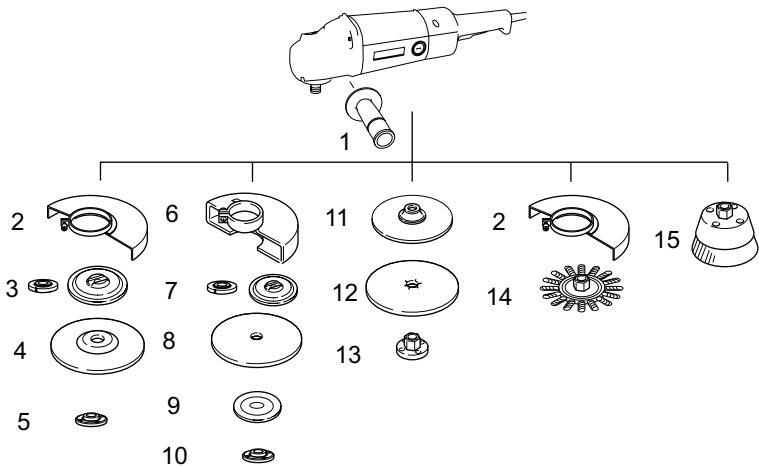
For å opprettholde produktets SIKKERHET og PÅLITELIGHET, må reparasjoner, vedlikehold og justeringer utføres av Makitas autoriserte servicesentre, og det må alltid brukes reservedeler fra Makita.

TILBEHØR

⚠FORSIKTIG:

- Det anbefales at du bruker dette tilbehøret eller verktøyet sammen med den Makita-maskinen som er spesifisert i denne håndboken. Bruk av annet tilbehør eller verktøy kan forårsake helseskader. Tilbehør og verktøy må kun brukes til det formålet det er beregnet på.

Ta kontakt med ditt lokale Makita-servicesenter hvis du trenger mer informasjon om dette tilbehøret.



1	Støttehåndtak
2	Beskyttelseskappe for slipeskive/multiskive/skivebørste med nedtrykt senter
3	Indre flens/superflens/indre flens 102 (kun Australia og New Zealand)
4	Slipeskive med forsenket navn/multidisk
5	Låsemutter/Ezynut*1
6	Beskyttelseskappe for kappeskive/diamantskive*2
7	Indre flens/superflens/indre flens 78 (kun Australia og New Zealand)
8	Kappeskive/diamantskive
9	Ytre flens 78 (kun Australia og New Zealand)*3
10	Låsemutter/Ezynut*1
11	Gummirondell
12	Slipeskive
13	Låsemutter for pussing
14	Skivebørste
15	Sirkulær stålbørste
—	Låsemutternøkkel
—	Feste for støvdeksel

*1 Ikke bruk superflens og Ezynut sammen.

*2 I Europa kan du, ved bruk av diamantskive, bruke det vanlige vernet i stedet for spesialvernet som dekker begge sider av skiven.

*3 Bruk indre flens 78 og ytre flens 78 sammen. (kun Australia og New Zealand)

Yleisselostus

1-1. Karalukitus	9-2. Keskeltä ohennettu laikka	19-3. Sisälaippa
2-1. Liipaisinkytkin	9-3. Sisälaippa	19-4. Hiovan
2-2. Lukitusvipu	10-1. Lukkomutteriavain	katkaisulaikan/timanttilaikan
3-1. Merkkipalo	10-2. Karalukitus	suojus
5-1. Laikan suojus	11-1. Lukkomutteri	20-1. Lukkomutteri
5-2. Ruuvi	11-2. Hiomalaikka	20-2. Ulkolaippa 78
5-3. Vaihekotelo	11-3. Kumityyny	20-3. Hiova katkaisulaikka/timanttilaikka
6-1. Laikan suojus	12-1. Ezynut	20-4. Sisälaippa 78
6-2. Vaihekotelo	12-2. Hiomalaikka/monilaikka	20-5. Hiovan
6-3. Mutteri	12-3. Sisälaippa	katkaisulaikan/timanttilaikan
6-4. Vipu	12-4. Kara	suojus
7-1. Mutteri	13-1. Karalukitus	21-1. Poistoaukko
7-2. Vipu	14-1. Nuoli	21-2. Ilman tuloaukko
8-1. Lukkomutteri	14-2. Lovi	22-1. Kommutaattori
8-2. Keskeltä ohennettu laikka	17-1. Teräskuppiharja	22-2. Eristekärki
8-3. Sisälaippa	18-1. Teräsharjalaikka	22-3. Hiiliharja
8-4. Superlaippa	19-1. Lukkomutteri	23-1. Harjanpitimen kansi
9-1. Lukkomutteri	19-2. Hiova katkaisulaikka/timanttilaikka	23-2. Ruuvitalta

TEKNISET TIEDOT

Malli	GA7050	GA7050R	GA9050	GA9050R
Keskeltä ohennetun laikan halkaisija	180 mm	180 mm	230 mm	230 mm
Karan kierre	M14	M14	M14	M14
Tyhjäkäyntinopeus (n ₀) / Nimellinopeutta (n)	8 500(min ⁻¹)	8 500(min ⁻¹)	6 600(min ⁻¹)	6 600(min ⁻¹)
Kokonaispituus	432 mm	455 mm	432 mm	455 mm
Nettopaino	4,5 kg	4,6 kg	4,7 kg	4,8 kg
Turvaluokitus	II / I			

- Jatkuvan tutkimus- ja kehitysohjelman vuoksi pidätämme oikeuden muuttaa tässä mainittuja teknisiä ominaisuuksia ilman ennakoilmoitusta.
- Tekniset ominaisuudet saattavat vaihdella eri maissa.
- Paino EPTA-menetelmän 01/2003 mukaan

Käyttötarkoitus

Työkalu on tarkoitettu metallin ja kiven hiomiseen ja leikkaamiseen ilman vettä.

ENE048-1

vikavirtasuojaus.

ENG905-1

Virtälähde

Laitteen saa kytkeä vain sellaiseen virtälähteeseen, jonka jännite on sama kuin arvokilvessä ilmoitettu, ja sitä saa käyttää ainoastaan yksivaiheisella vaihtovirralla. Laitte on kaksinkertaisesti suojaeristetty, ja se voidaan siten kytkeä myös maadoittamattomaan pistorasiaan.

ENF002-2

Melutaso

Tyypillinen A-painotettu melutaso määräytyy EN60745-standardin mukaan:

- Äänenpainetaso (L_{pA}): 94 dB(A)
- Äänen tehotaso (L_{WA}): 105 dB(A)
- Virhemarginaali (K): 3 dB(A)

Käytä kuulosuojaimia

ENG900-1

Malli GA7050, GA9050

ENF100-1

220 ja 250 voltin matalajännitteiset jakeluverkot.

Sähkölaitteiden käynnistys ja sammutus aiheuttavat jännitevaihteluita. Tämän laitteen käyttö epävakaassa verkossa saattaa haitata muiden laitteiden toimintaa. Haittavaikutuksia ei ole odotettavissa, jos verkon impedanssi on enintään 0,22 ohmia. Verkkopistokkeessa, johon tämä laite kytketään, on oltava sulake tai hidas

Tärinä

Värähtelyn kokonaisarvo (kolmiakselivektorin summa) on määritelty EN60745mukaan:

Malli GA7050,GA7050R

Työtila: pinnan hionta
Tärinän päästö ($a_{h,AG}$): 6,5 m/s²
Epävakaus (K): 1,5 m/s²

Työmenetelmä: laikkahionta
Tärinäpäästö ($a_{h,DS}$): 4,0 m/s²
Epävakaus (K): 1,5 m/s²

Malli GA9050,GA9050R

Työtila: pinnan hionta
Tärinän päästö ($a_{h,AG}$): 5,5 m/s²
Epävakaus (K): 1,5 m/s²

Työmenetelmä: laikkahionta
Tärinäpäästö ($a_{h,DS}$): 2,5 m/s²
Epävakaus (K): 1,5 m/s²

ENG902-1

- Ilmoitettu tärinäpäästöarvo on mitattu standarditestausten mukaisesti, ja sen avulla voidaan vertailla työkaluja keskenään.
- Ilmoitettua tärinäpäästöarvoa voidaan käyttää myös altistumisen alustavaan arviointiin.
- Ilmoitettu tärinäpäästöarvo koskee tämän työkalun pääasiallisia käyttötarkoituksia. Tärinäpäästöarvo voi kuitenkin muuttua, jos työkalua käytetään muihin tarkoituksiin.

⚠VAROITUS:

- Työkalun käytön aikana mitattu todellinen tärinäpäästöarvo voi poiketa ilmoitetusta tärinäpäästöarvosta työkalun käyttötavan mukaan.
- Selvitä käyttäjän suojaamiseksi tarvittavat varoimet todellisissa käyttöolosuhteissa tapahtuvan arvioitun altistumisen mukaisesti (ottaen huomioon käyttöjako kokonaisuudessaan, myös jaksot, joiden aikana työkalu on sammutettuna tai käy tyhjäkäynnillä).

ENH101-15

Koskee vain Euroopan maita

VAKUUTUS EC-VASTAAVUUDESTA

Vastuullinen valmistaja Makita Corporation ilmoittaa vastaavansa siitä, että seuraava(t) Makitan valmistama(t) kone(et):

Koneen tunnistiedot:

Kulmahiomakone

Mallinro/Tyyppi: GA7050, GA7050R, GA9050, GA9050R ovat sarjavalmistettuja ja

täyttävät seuraavien eurooppalaisten direktiivien vaatimukset:

2006/42/EC

ja että ne on valmistettu seuraavien standardien tai standardoitujen asiakirjojen mukaisesti:

EN60745

Teknisen dokumentaation ylläpidosta vastaa valtuutettu Euroopan-edustajamme, jonka yhteystiedot ovat:

Makita International Europe Ltd.

Michigan Drive, Tongwell,
Milton Keynes, Bucks MK15 8JD, England

26.6.2009



000230

Tomoyasu Kato
Johtaja

Makita Corporation
3-11-8, Sumiyoshi-cho,
Anjo, Aichi, 446-8502, JAPAN

GEA010-1

Sähkötyökalujen käyttöä koskevat varoitukset

⚠ **VAROITUS** Lue kaikki turvallisuusvaroitukset ja käyttöohjeet. Varoitusten ja ohjeiden noudattamatta jättäminen voi johtaa sähköiskuun, tulipaloon ja/tai vakavaan vammautumiseen.

Säilytä varoitukset ja ohjeet tulevaa käyttöä varten.

GEB033-4

HIOMAKONEEN TURVALLISUUSOHJEET

Hiontaa, hiekkapaperihiontaa, harjausta ja katkaisua koskevat yleiset varoitukset:

- Tätä sähkötyökalua voidaan käyttää hiomakoneena, hiekkapaperihiomakoneena, teräsharjana ja katkaisulaitteena. Tutustu kaikkiin työkalun mukana toimitettuihin varoituksiin, ohjeisiin, kuviin ja teknisiin tietoihin. Jos ohjeiden noudattaminen laiminlyödään, seurauksena voi olla sähköisku, tulipalo ja/tai vakava vammautuminen.
- Älä käytä työkalua kiillottamiseen. Jos työkalua käytetään muuhun kuin aiottuun tarkoitukseen, seurauksena voi olla vaaratilanteita ja vammautumiseriski.
- Älä käytä sellaisia lisävarusteita, jotka eivät ole nimenomaan valmistajan suunnittelemat tai suosittelemat. Vain, koska lisävaruste voidaan liittää tehokoneeseen, se ei varmista turvallista toimintaa.
- Lisävarusteen määrätyn nopeuden täytyy olla ainakin samanvertainen tehokoneessa osoitetun enimmäisnopeuden kanssa. Sellaiset lisävarusteet, jotka menevät nopeammin, kuin määrätty nopeus, voivat rikkoutua ja lentää palasiksi.
- Lisävarusteesi ulkohalkaisijan ja paksuuden on oltava tehokoneesi kapasiteettimittauksen kantaman sisällä. Väärin mitoitettuja lisävarusteita ei voida sopivasti vartioita tai ohjata.

6. **Laikkojen, laippojen, tyynyjen ja muiden lisävarusteiden reikäkokojen täytyy sopia työkalun karaan täsmälleen.** Lisävarusteet, joiden reiät eivät vastaa työkalun kiinnitysosaa, toimivat epätasapainossa, värähtelevät liikaa ja saattavat aiheuttaa hallinnan menetyksen.
7. **Älä käytä viallisia liävarusteita.** Ennen jokaista käyttökertaa tarkista, että hiomalaikassa ei ole lohkeamia tai halkeamia, tiyynissä ei ole halkeamia tai merkkejä liiallisesta kulumisesta ja että teräharjan harjukset eivät ole irti tai halkeilleet. Jos työkalu tai lisävaruste pääsee putoamaan, tarkista sen kunto tai vaihda varuste ehjään. Lisävarusteen tarkastuksen ja asennuksen jälkeen asetu niin, että sinä eivätkä mahdolliset sivulliset ole pyörivän lisävarusteen tasossa ja käytä laitetta suurimmalla sallitulla joutokäyntinopeudella yhden minuutin ajan. Viallinen lisävaruste yleensä hajoaa tässä kokeessa.
8. **Pukeudu henkilökohtaisiin suojavarusteisiin.** Käytöstä riippuen käytä kasvosuojaa, suojalaseja tai varmuuslaseja. Käytä pölynaamaria, kuulosuojaimia, käsineitä ja sellaista työpajan esiliinaa, joka pystyy pysäyttämään pieniä hankausjauheen tai työkappaleen palasia. Silmäsuojon on kyettävä pysäyttämään lentäviä pirstaleita, jotka aiheutuvat erilaisten toimintojen aikana. Pölynaamion tai hengityssuojon on suodatettava toiminnostasi aiheutuvat palaset. Jos olet pidemmän aikaa alttina erittäin kovalle melulle, se voi aiheuttaa kuulon menettämisen.
9. **Pidä sivustakatsijat turvallisen välimatkan päässä työalueelta.** Kaikkien työalueelle astuvien henkilöiden on käytettävä henkilökohtaista suojavarustetta. Työkappaleen tai rikkoutuneen lisävarusteen pirstaleet voivat aiheuttaa vammautumisen välittömästi toiminta-alueen ulkopuolella.
10. **Pidä tehokoneen erillistä kahvapintaa kun leikkaat sellaista pintaa, jossa leikkauslisävaruste voi koskettaa piliohdotukseen tai sen omaa liittäjäjohtoon.** Kun leikkauksen lisävaruste koskettaa voivat tehokoneen paljaana olevat metalliosat "kytkettyä päälle" ja aiheuttaa sähköiskun käyttäjälle.
11. **Aseta johto varmaan paikkaan pyörivästä lisävarusteesta.** Jos menetät hallintakykyä, johto voi katketa tai repeytyä ja kätesi voi joutua pyörivään lisävarusteeseen.
12. **Älä koskaan laita tehokonetta alas, ennen kuin lisävaruste on täysin pysähtynyt.** Pyörivä lisävaruste voi tarrata pintaan ja vetää tehokoneen ohjaus käsistäsi.
13. **Älä anna tehokoneen mennä sillä välin, kun kannat sitä sivullasi.** Vahingossa aiheutuva lisävarusteen pyöriminen voi repiä vaatteesi,

vetään lisävarusteen kehoosi.

14. **Puhdista työkalun ilma-aukot säännöllisesti.** Moottorin tuuletin imee pölyä koteloon, ja metallijauheen kerääntyminen laitteeseen voi aiheuttaa sähköiskuvaaran.
15. **Älä käytä tehokonetta tulenarkojen materiaalien lähellä.** Kipinät voivat sytyttää nämä materiaalit.
16. **Älä käytä sellaisia lisävarusteita, jotka vaativat jäähdytysnesteitä.** Jos käytät vettä tai muuta jäähdytysnesteitä, se voi aiheuttaa sähkötapaturman tai -iskun.

Takapotku ja siihen liittyvät varoitukset

Takapotku on kiinni juuttuneen laikan, tyynyn, harjan tai muun lisävarusteen aiheuttama äkillinen sysäys. Kiinni juuttuminen tai tarketelu aiheuttaa sen, että pyörivä lisävaruste pysähtyy, mikä puolestaan alkaa työntää laitetta hallitsemattomasi pyörimisliikkeelle vastakkaiseen suuntaan. .

Jos esimerkiksi hiomalaikka juuttuu työkappaleeseen, juuttumiskohtaan puretumassa oleva laikka voi tunkeutua kappaleen pintaan, jolloin se kiipeää ylös tai potkaisee taaksepäin. Laikka voi hypätä joko käyttäjää kohti tai pois päin sen mukaan, mihin suuntaan laikka oli siirtymässä juuttumiskohdassa. Hiomalaikka voi tällöin rikkoutua.

Takapotku johtuu laitteen virheellisestä käytöstä ja/tai käyttötavasta tai olosuhteista. Takapotku voidaan välttää seuraavien varoitomien avulla.

- a) **Pidä yllä vahva pito tehokoneessa ja aseta kehoosi ja käsivartesi siten, että voit vastustaa takapotkun voimaa.** Käytä aina apukahvaa, jos annettu mukana, takapotkujen tai vääntömomentin maksimi hallinnon vuoksi käynnistyksen aikana. Käyttäjä voi hallita vääntömomentin reaktioita tai takapotkun voimaa, jos noudattaa sopivia varoitomenpiteitä.
- b) **Älä koskaan aseta kättäsi pyörivän lisävarusteen lähelle.** Lisävaruste saattaa takapotkaista kätesi ylitse.
- c) **Asetu niin, että et jää laitteen tielle takapotkun saatessa.** Takapotku heittää laitetta päinvastaiseen suuntaan kuin mihin laikka pyörii.
- d) **Sovella erityistä huolta, kun teet kulmia, teräviä reunoja, jne. Vältä lisävarusteen ponnahtamista tai repeytymistä.** Kulmilla, terävillä reunoilla tai ponnahtamisella on tapana repäistä pyörivää lisävarustetta ja aiheuttaa hallinnan menettämisen tai takapotkun.
- e) **Älä käytä laitteessa moottorisahan puunleikkuuterää tai hammastettua terää.** Ne aiheuttavat toistuvasti takapotkuja ja hallinnan menettämisen.

Hiontaa ja katkaisua koskevat erityiset varoitukset:

- a) **Käytä vain laitteeseen tarkoitettuja laikkatyyppisiä ja kyseiselle laikalle tarkoitettua erikoisuujoja.** Muita kuin laitteeseen nimenomaan tarkoitettua laikkoja ei voida suojata kunnolla, ja

siten ne eivät ole turvallisia.

b) Suoja on kiinnitettävä laitteeseen tukevasti turvalliseen asentoon niin, että mahdollisimman pieni osa laikasta näkyy käyttäjää kohti. Suoja suojaaa käyttäjää rikkoutuneen laikan palasilta ja estää koskettamasta laikkaa vahingossa.

c) Laikkoja on käytettävä ainoastaan suositeltuihin käyttötarkoitukseen. Esimerkiksi: Älä yritä hioa kappaleita katkaisulaikan sivulla. Katkaisulaikkaa käytettäessä hionta tapahtuu vain laikan kehällä. Sivuttaisvoimat voivat rikkoa laikan.

d) Käytä aina ehjiä ja oikean kokoisia laikkalaippoja, joiden muoto vastaa valittua laikkaa. Oikean tyyppiset laikkalaipat tukevat laikkaa ja pienentävät näin laikan rikkoutumisriskiä. Katkaisulaikkoihin tarkoitetut laipat voivat poiketa hiomalaikkojen laipoista.

e) Älä käytä isommista sähkötyökaluista otettuja kuluneita laikkoja. Isoihin sähkötyökaluihin tarkoitetut laikat eivät sovi suuremmalla nopeudella toimiviin pienempiin työkaluihin ja voivat siksi hajota.

Katkaisua koskevat lisävaroitukset:

a) Älä anna katkaisulaikan ”jumittua” äläkä paina laitetta liian voimakkaasti. Älä yritä tehdä liian syvää uraa. Laikan liika painaminen lisää kuormitusta ja laikan vääntymis- tai juuttumisriskiä, jolloin seurauksena voi olla takapotku tai laikan rikkoutuminen.

b) Älä asetu samaan linjaan pyörivän laikan taakse. Kun laikka käytettäessä liikkuu käyttäjästä pois päin, mahdollinen takapotku voi sysätä pyörivän laikan ja työkalun suoraan käyttäjää kohti.

c) Kun laikka takertele tai kun työ joudutaan jostakin syystä keskeyttämään, katkaise laitteen virta ja pidä sitä paikoillaan liikkumatta, kunnes laikka on täysin pysähtynyt. Älä koskaan yritä irrottaa laikkaa urasta, kun laikka vielä pyörii, koska seurauksena voi olla takapotku. Selvitä laikan takertelun syy ja tee tarvittavat korjaavat toimenpiteet.

d) Älä käynnistä laitetta niin, että se on kiinni työkappaleessa. Anna laikan savuttaa täysi pyörimisnopeus ja työnnä laikka sitten varovasti leikkaa-uraan. Jos laite käynnistetään niin, että se on kiinni työkappaleessa, laikka voi takertua, työntyä taaksepäin tai potkaista.

e) Vähennä laikan takertelu- ja kuumaotusriskiä tukemalla paneelit ja ylisuuret työkappaleet huolellisesti. Isot työkappaleet pyrkivät taipumaan omasta painostaan. Levy on tuettava molemmilta puolilta sekä leikkaulinjan vierestä että reunoilta.

f) Ole erityisen varovainen, kun leikkaat ”taskuja” valmiisiin seiniin tai muihin umpinaisiin rakenteisiin. Laikka voi katkaista

kaasu- tai vesiputkia tai sähköjohtaja tai osua takapotkun aiheuttaviin esteisiin.

Hiekkaperihiontaa koskevat erikoismääräykset:

a) Älä käytä ylikokoista hiomalaikkapaperia. Noudata hiekkaperin valinnassa valmistajan suosituksia. Hiomatyydyn ulkopuolella ulottuva hiekkapaperi voi revetä ja aiheuttaa takertelua, laikkavaurioita tai takapotkun.

Teräsharjasta koskevat erityiset varoitukset:

a) Ota huomioon, että harjaksia irtoaa harjasta myös normaalikäytössä. Älä kuormita harjaksia turhaan painamalla liian voimakkaasti. Harjokset voivat helposti tunkeutua vaateiden ja/tai ihon läpi.

b) Jos harjauksessa suositellaan käytettäväksi suojusta, älä anna harjauslaikan tai harjan ottaa suojukseen. Harjauslaikan tai harjan halkaisija voi kasvaa kuormituksen ja keskipakoisvoiman vaikutuksesta.

Turvallisuutta koskevat lisävaroitukset:

17. Jos käytät hiomalaikkaa, jossa on upotettu keskiö, varmista, että laikka on lasikuituvahvisteinen.
18. ÄLÄ KOSKAAN käytä tässä hiomakoneessa kiven hiontaan tarkoitettuja kuppilaikkoja. Hiomakonetta ei ole suunniteltu tämän tyyppisten laikkojen käyttöön. Vääräntyyppisten laikkojen käyttö voi aiheuttaa vakavan henkilövahingon.
19. Varo, ettet vahingoita karaa, laippaa (erityisesti asennuspintaa) tai lukkomutteria. Näiden varaosien vahingoittuminen voi aiheuttaa pyörän rikkoutumisen.
20. Varmista, että laikka ei kosketa työkappaleeseen, ennen kuin virit on kytketty päälle kytkimestä.
21. Ennen kuin käytät työkalua nimenomaiseen työkappaleeseen, anna sen juosta jonkin aikaa. Varo, ettei se värähtele tai tärisee, joka voi on merkki siitä, että laikka on huonosti asennettu tai tasapainoitettu.
22. Käytä hiontaan siihen tarkoitettua laikan pintaa.
23. Varo kipinöitä. Pidä työkalua niin, että kipinät suuntautuvat pois päin itsestäsi ja muista sekä syyttämisherkistä materiaaleista.
24. Älä jätä konetta käymään itseksen. Käytä laitetta vain silloin, kun pidät sitä kädessä.
25. Älä kosketa työkappaletta heti käytön jälkeen, sillä se saattaa olla erittäin kuuma ja polttava ihoa.
26. Varmista aina, että työkalu on kytketty pois ja vedetty seinästä tai että akku on poistettu ennen minkäänlaisten huoltotöiden suorittamista työkalulla.
27. Noudata valmistajan antamia ohjeita laikkojen oikeasta asennuksesta ja käytöstä. Käsittele laikkoja varoen ja säilytä niitä turvallisessa paikassa.

28. Älä käytä erillisiä supistusholkkeja tai sovittimia isoaukkoisten hiomalaikkojen kiinnitykseen.
29. Käytä ainoastaan tälle työkalulle tarkoitettuja laippoja.
30. Kun käytät kierre-erällä varustetuille laikoille tarkoitettua työkalua, varmista, että laikan kierteet vastaavat pituudeltaan a.
31. Varmista, että työkappale on tukevasti paikoillaan.
32. Ota huomioon, että laikka jatkaa pyörimistään vielä sen jälkeen, kun virta on katkaistu.
33. Jos työtila on erittäin kuumiin ja kostea tai siinä esiintyy runsaasti sähköä johtavaa pölyä, varmista turvallisuus käyttämällä vikavirtakatkaisinta (30 mA).
34. Älä hio tai leikkaa työkalulla mitään asbestia sisältäviä materiaaleja.
35. Älä käytä vettä tai hiomaöljyjä.
36. Varmista pölyisissä työskentelyoloissa, että poisto- ja tuloaukot pysyvät auki. Jos aukot on puhdistettava pölystä, kytkä kone ensin irti verkosta ja puhdistusta varten varoen vahingoittamasta laitteen sisäosia. Älä käytä puhdistukseen metalliesinettä.
37. Käytä aina paikallisten määräysten edellyttämää pölyä keräävää laikansuojusta.
38. Katkaisulaikkaa ei saa painaa sivusuunnassa.

SÄILYTÄ NÄMÄ OHJEET.

⚠VAROITUS:

ÄLÄ anna työkalun helppokäyttöisyyden tai toistuvan käytön tuudittaa sinua väärään turvallisuuden tunteeseen niin, että laiminlyöt työkalun turvaohjeiden noudattamisen. VÄÄRINKÄYTTÖ tai tämän käyttöohjeen turvamääräysten laiminlyönti voi johtaa vakaviin henkilövahinkoihin.

TOIMINTOJEN KUVAUS

⚠HUOMIO:

- Varmista aina ennen koneen säätöjen ja toiminnallisten tarkistusten tekemistä, että kone on sammutettu ja irrotettu pistorasiasta.

Lukitus

⚠HUOMIO:

- Älä koskaan kytkä lukkoa päälle n pyöriessä. Työkalu voi rikkoutua.

Kuva1

Kun kiinnität tai irrotat lisälaitteita, estä a pyörimistä painamalla lukitusta.

Kytkimen käyttäminen

⚠HUOMIO:

- Tarkista aina ennen työkalun liittämistä virtalähteeseen, että liipaisinkytkin kytkeytyy oikein ja palaa asentoon OFF, kun se vapautetaan.
- Kytkimen voi lukita "ON" asentoon, jotta pitkäaikainen käyttö helpottuisi käyttäjälle. Ole varovainen, kun lukitset työkalun "ON" asentoon ja pidä työkalusta luja ote.

Kuva2

Lukituskytkimellä varustettu kone

Käynnistä työkalu painamalla liipaisinkytkintä (suuntaan B). Laite pysäytetään vapauttamalla liipaisinkytkin. Jos haluat työkalun käyvän jatkuvasti, paina ensin liipaisinkytkin pohjaan (suuntaan B) ja paina sitten lukitusvipu sisään (suuntaan A). Lukittu työkalu pysäytetään painamalla liipaisinkytkin ensin täysin pohjaan (suuntaan B) ja sitten vapauttamalla se.

Käynnistyksen estokytkin

Työkalussa on lukitusvipu, joka estää kytkinvivun vetämisen vahingossa.

Käynnistä työkalun painamalla lukitusvipua (suuntaan A) ja sitten vetämällä liipaisinkytkintä (suuntaan B). Laite pysäytetään vapauttamalla liipaisinkytkin.

Lukitus- ja lukituksen vapautuskytkimellä varustettu kone

Työkalussa on lukitusvipu, joka estää liipaisinkytkimen painamisen vahingossa.

Voit käynnistää työkalun työntämällä lukitusvipua (suuntaan A) ja painamalla sitten liipaisinkytkintä (suuntaan B). Työkalu pysäytetään vapauttamalla liipaisinkytkin.

Jos haluat työkalun käyvän jatkuvasti, työnnä ensin lukitusvipua (suuntaan A), paina liipaisinpainiketta (suuntaan B) ja vedä sitten lukitusvipua (suuntaan C).

Käymään lukittu työkalu pysäytetään painamalla liipaisinkytkin ensin pohjaan (suuntaan B) ja sitten vapauttamalla se.

Merkkivalo (mallille GA7050R/GA9050R)

Kuva3

Vihreä merkkivalo syttyy vihreänä, kun laite kytketään virtaan. Jos merkkivalo ei syty, päävirtajohto tai ohjain saattaa olla vahingoittunut. Merkkivalo palaa, mutta työkalu ei käynnisty silloinkaan, jos työkalu on kytketty päälle, hiiliharjat saattavat olla kuluneet tai ohjain, moottori tai ON/OFF-kytkin saattaa olla vaurioitunut.

Tahaton uudelleenikäynnistyksen todiste

Tasainen lukitusvipu, joka pitää liipaisinkytkimen alaspainettuna (Lukitus-asema) ei anna työkalun käynnistyä uudelleen, vaikka se on kytketty virtaan.

Tällöin merkkivalo vilkkuu punaisena ja näyttää tahattoman uudelleenikäynnistämistodisteen laite on toiminnassa.

Peruutat tahattoman uudelleenikäynnistämistodisteen vetämällä liipaisinkytkintä täysin ja sitten vapauttamalla sen.

Pehmeä käynnistys

Nämä mallit aloittavat pyörimisen hitaasti käynnistyksen yhteydessä. Pehmeä käynnistys takaa käytön sujuvuuden.

KOKOONPANO

⚠HUOMIO:

- Varmista aina ennen koneelle tehtäviä toimenpiteitä, että kone on sammutettu ja irrotettu pistorasiasta.

Sivukahvan asentaminen (kahva)

⚠HUOMIO:

- Varmista aina ennen käyttöä, että sivukahva on tukevasti paikoillaan.

Kuva4

Kiinnitä sivukahva koneeseen kuvan osoittamalla tavalla.

Laikan suojuksen kiinnittäminen ja irrottaminen (upotetulla navalla varustettu laikka, monilaikka, teräsharjalaikka/hiova katkaisulaikka, timanttilaikka)

⚠VAROITUS:

- Jos käytössä on upotetulla navalla varustettu hiomalaikka/monilaikka, joustava laikka tai teräsharjalaikka, laikan suojuksen umpinainen puoli tulee aina käyttäjää kohti.
- Varmista hiovaa katkaisulaikkaa / timanttilaikkaa käyttäessäsi, että käytät ainoastaan katkaisulaikkojen kanssa käytettäväksi tarkoitettua erikoislaikansuojusta. (Euroopassa voidaan käyttää timanttilaikan kanssa tavallista suojusta.)

Lukitusruuvi-tyyppisillä laikkasuojuksilla varustetulle työkalulle

Kuva5

Kiinnitä laikan suojuksen nauha uloke tulee vaihdekotelon loven kohdalle. Käännä sitten laikan suojusta 180 astetta vastapäivään. Kiristä ruuvit huolellisesti.

Irrota laikan suojuksen päinvastaisessa järjestyksessä.

Kiristysruuvi-tyyppisillä laikkasuojuksilla varustetulle työkalulle

Kuva6

Kuva7

Löysää laikan suojuksessa oleva vipu. Aseta laikan suojuksen siten, että laikan suojuksessa oleva ulkonema ja laakerilaatikon lovi ovat rinnakkain. Kierrä sitten laikan suojusta kuvassa osoitettuun asentoon. Kiristä vipu laikan suojuksen varmistamiseksi. Jos vipu on liian kireä tai liian löysä laikan suojuksen kiinnittämiseksi, löysää tai kiristä mutteria suojuksen hihnan kireyden säätämiseksi. Irrota laikan suojuksen päinvastaisessa järjestyksessä.

Keskeltä ohennetun laikan/monilaikan (lisävaruste) kiinnittäminen ja irrottaminen

⚠VAROITUS:

- Käytä aina työkalun mukana toimitettua suojusta, kun työkalussa on keskeltä ohennettu laikka/monilaikka. Laikka saattaa pirstoutua käytön aikana ja suojuksen pienentää vammautumiseriskä.

Kuva8

Aseta sisälaippa an. Sovita laikka sisälaippaan ja kiinnitä lukkomutteri an.

⚠VAROITUS:

- Älä koskaan käytä yli 6,5 mm:n paksuista hiomalaikkaa.

Superlaippa

F-kirjaimella merkityissä malleissa on vakiovarusteena superlaippa. Sen ansiosta lukkomutterin avaamiseen tarvitaan vain 1/3 tavallisen laipan edellyttämästä aukaisuvoimasta.

Australia ja Uusi-Seelanti

Kuva9

Aseta sisälaippa an. Aseta laikka sisälaippaan ja ruuvaa lukitusmutteri siten, että sen uloke osoittaa alaspäin (kohti laikkaa).

Kiristä lukkomutteri painamalla lukkoa voimakkaasti niin, ettei pääse pyörimään, ja kiristä lukkomutteri sitten lukkomutteriavaimella myötäpäivään.

Kuva10

Laikka irrotetaan päinvastaisessa järjestyksessä.

Hiomalaikan (lisävaruste) kiinnittäminen ja irrottaminen

HUOMAUTUS:

- Käytä vain tässä ohjekirjassa määritettyjä hiomakoneita. Ne on ostettava erikseen.

Kuva11

Asenna kumityyny karaan. Sovita laikka kumityynyyn ja kiinnitä lukkomutteri karaan. Kiristä lukkomutteri painamalla akselilukkoa voimakkaasti niin, ettei kara pääse pyörimään, ja kiristä lukkomutteri sitten lukkomutteriavaimella myötäpäivään.

Irrota laikka päinvastaisessa järjestyksessä.

Ezynutin (lisävaruste) kiinnittäminen ja irrottaminen

⚠HUOMIO:

- Älä käytä Ezynut-mutteria yhdessä superlaipan tai sellaisen kulmahiomakoneen kanssa, jonka mallinumeron lopussa on "F". Kyseiset laipat ovat niin paksuja, että karan kierre ei riitä pitämään niitä paikoillaan.

Kuva12

Kiinnitä sisälaippa, hioma-/monilaikka ja Ezynut karaan niin, että Ezynutin Makita-logo näkyy ulkopuolelle.

Kuva13

Paina karalukkoa napakasti ja kiristä Ezynut kiertämällä hioma-/monilaikkaa myötöpäivään niin pitkälle kuin se menee.

Voit löysätä kiinnityksen kiertämällä Ezynutin ulkokehää vastapäivään.

Kuva14

Kuva15

HUOMAUTUS:

- Ezynut voidaan löysätä käsivoimin aina, kun nuoli on loven kohdalla. Muissa tapauksissa avaamiseen tarvitaan sakara-avainta. Sovita yksi avaimen sakara koloon ja kierrä Ezynutia vastapäivään.

TYÖSKENTELY

⚠VAROITUS:

- Älä koskaan pakota konetta. Koneen oma paino riittää. Pakottaminen ja liiallinen painaminen voi aiheuttaa vaarallisen laikan rikkoutumisen.
- Vaihda laikka AINA, jos kone pääsee putoamaan hionnan aikana.
- ÄLÄ KOSKAAN iske tai kolhi laikkaa työkappaleeseen.
- Vältä laikan pomppimista ja jumittumista varsinkin silloin, kun työstät nurkkia, teräviä reunoja ja niin edelleen. Seurauksena voi olla hallinnan menetys ja takapotku.
- ÄLÄ KOSKAAN asenna koneeseen puun leikkaamiseen tarkoitettuja teriä tai muita sahanteriä. Kulmahiomakoneessa käytettynä nämä terät aiheuttavat lähes poikkeuksetta takapotkun voi hallinnan menetyksen, jolloin seurauksena voi olla henkilövahinkoja.

⚠HUOMIO:

- Älä koskaan käynnistä konetta, kun se koskettaa työkappaleeseen, koska tämä voi aiheuttaa käyttäjälle vammoja.
- Käytä aina suojalaseja tai kasvosuojusta käytön aikana.
- Käytön jälkeen katkaise koneesta aina virta ja odota, kunnes laikka on täysin pysähtynyt ennen kuin lasket koneen käsistä.

Hionta

Kuva16

Ota työkalusta AINA tukeva ote toinen käsi takakahvassa ja toinen sivukahvassa. Käynnistä kone ja vie sitten laikka työkappaleeseen.

Pidä laikkaa noin 15 asteen kulmassa työkappaleen pintaan nähden.

Kun ajat sisään uuttaa laikkaa, älä käytä hiomakonetta suuntaan B, koska tällöin laikka leikkaa työkappaleeseen.

Sitten kun laikan reuna on käytössä pyöristynyt, konetta voidaan käyttää sekä suuntaan A että B.

Teräskuppiharjan käyttäminen (lisävaruste)

⚠HUOMIO:

- Tarkista harjan toiminta käyttämällä työkalua ilman kuormitusta. Varmista, ettei kukaan ole harjan tiellä.
- Älä käytä harjaa, jos se on vaurioitunut tai epätasapainossa. Vaurioituneen harjan käyttäminen voi aiheuttaa loukkaantumisvaaran katkenneiden harjasten takia.

Kuva17

Irrota työkalun virtajohto ja aseta se ylösalaisin siten, että kara on esillä. Poista karassa mahdollisesti olevat lisävarusteet. Kiinnitä teräskuppiharja karaan ja kiristä se työkalun mukana toimitettavalla avaimella. Kun käytät harjaa, älä paina sitä liiallisella voimalla, sillä liiallinen voimankäyttö saattaa taivuttaa harjaksia ja vaurioittaa harjaa.

Teräsharjalaikan käyttäminen (lisävaruste)

⚠HUOMIO:

- Tarkista teräsharjalaikan toiminta käyttämällä työkalua ilman kuormitusta. Varmista, ettei kukaan ole teräsharjalaikan tiellä.
- Älä käytä teräsharjalaikkaa, jos se on vaurioitunut tai epätasapainossa. Vaurioituneen teräsharjalaikan käyttäminen voi aiheuttaa loukkaantumisvaaran katkenneiden harjasten takia.
- Käytä teräsharjalaikan kanssa AINA suojusta. Varmista, että laikka mahtuu suojuksen sisäpuolelle. Laikka voi hajota käytössä, joten suojus vähentää vammautumiseriskiä.

Kuva18

Irrota työkalun virtajohto ja aseta se ylösalaisin siten, että kara on esillä. Poista karassa mahdollisesti olevat lisävarusteet. Kiinnitä teräsharjalaikka karaan ja kiristä se avaimilla.

Kun käytät teräsharjalaikkaa, älä paina sitä liiallisella voimalla, sillä liiallinen voimankäyttö saattaa taivuttaa harjaksia ja vaurioittaa laikkaa.

Hiovan katkaisulaikan/timanttilaikan käyttäminen (lisävaruste)

⚠VAROITUS:

- Varmista hiovaan katkaisulaikkaa / timanttilaikkaa käyttäessäsi, että käytät ainoastaan katkaisulaikkojen kanssa käytettäväksi tarkoitettua erikoislaikansuojusta. (Euroopassa voidaan käyttää timanttilaikan kanssa tavallista suojusta.)
- ÄLÄ KOSKAAN käytä katkoloikkaa sivun hiontaan.
- Älä "sullo" laikkaa tai sovelle liiallista painetta. Älä yritä tehdä liian syvää leikkausta. Laikan liiallinen painaminen lisää laikan leikkauksen kiinnittymisen ja kierteen lastauksen ja alttiuden, sekä takapotkun, laikan rikkoutumisen ja moottorin ylikuumentumisen mahdollisuutta.

- Älä käynnistä leikkaustoimintaa työkappaleessa. Anna laikan saavuttaa täysi nopeus ja astu varovasti leikkaukseen, siirtäen työkalua eteenpäin työkappaleen pinnan yli. Laikka saattaa kiinnittyä, jättää tai takapotkaiista, jos työkalu käynnistetään työkappaleessa.
- Leikkaustoiminnan aikana, älä koskaan vaihda laikan kulmaa. Jos sijoitat katkolaikkaan sivupainetta (kuten hiomisen aikana), se voi aiheuttaa laikan lastuamisen ja katkeamisen, joka voi aiheuttaa henkilövamman.
- Timanttilaikkaa on pidettävä kohtisuorassa leikattavaan materiaaliin nähden.

Aseta sisälaippa an. Sovita laikka sisälaippaan ja kiinnitä lukkomutteri an.

Kuva19

Jos kiinnitettävän timanttilaikan tai katkaisulaikan keskiö on 7 mm paksu tai sitä paksumpi, kiinnitä lukkomutteri siten, että sen ohjausrenkas (ulkonema) on laikkaa kohti.

Australia ja Uusi-Seelanti

Hiovan katkaisulaikan/timanttilaikan kiinnittäminen ja irrottaminen (lisävaruste)

Kuva20

KUNNOSSAPITO

△HUOMIO:

- Varmista aina ennen tarkastuksia ja huoltotöitä, että laite on kone on sammutettu ja irrotettu virtalähteestä.
- Älä koskaan käytä bensiniä, ohentimia, alkoholia tai tms. aineita. Muutoin pinta voi halkeilla tai sen värit ja muoto voivat muuttua.

Kuva21

Kone ja sen ilma-aukot on pidettävä puhtaina. Puhdista koneen ilma-aukot säännöllisesti tai aina kun ne alkavat tukkeutua.

Hiiliharjojen vaihtaminen

Kuva22

Kun hiiliharjan sisällä oleva hartsieristekärki on paljaana ja koskettaa kommutaattoria, se sammuttaa moottorin automaattisesti. Kun näin tapahtuu, molemmat hiiliharjat täytyy vaihtaa. Pidä hiiliharjat puhtaina ja varmista, että ne pääsevät liukumaan vapaasti pidikkeissään. Molemmat hiiliharjat on vaihdettava yhtä aikaa. Käytä vain identtisiä hiiliharjoja.

Irrota harjahiiltien kannet ruuvitaltalla. Poista kuluneet harjahiilet, aseta uudet harjahiilet paikalleen ja kiinnitä harjahiiltien kansi paikalleen.

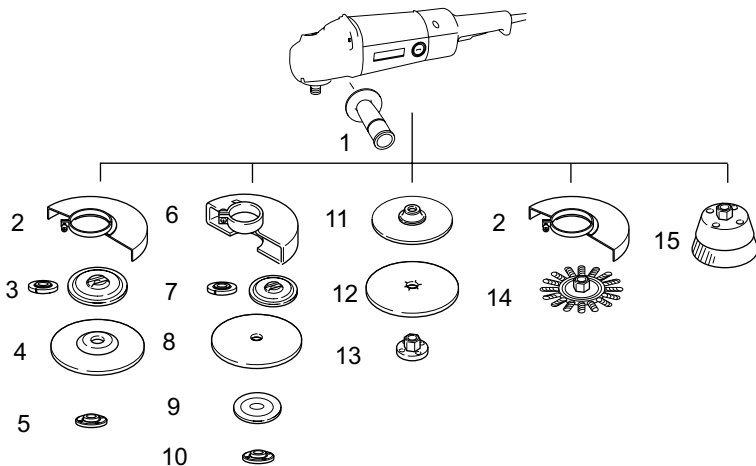
Kuva23

Koneen TURVALLISUUDEN ja LUOTETTAVUUDEN säilyttämiseksi korjaukset sekä muu huoltotoimet ja säädöt on jätettävä Makitan valtuuttaman huollon tehtäväksi käyttäen aina Makitan alkuperäisiä varaosia.

LISÄVARUSTEET

△HUOMIO:

- Näitä lisävarusteita ja -laitteita suositellaan käytettäväksi tässä ohjekirjassa mainitun Makitan koneen kanssa. Minkä tahansa muun lisävarusteen tai -laitteen käyttäminen voi aiheuttaa loukkaantumisvaaran. Käytä lisävarusteita ja -laitteita vain niiden käyttötarkoituksen mukaisesti. Jos tarvitset apua tai yksityiskohtaisempia tietoja seuraavista lisävarusteista, ota yhteys paikalliseen Makitan huoltoon.



1	Sivukahva
2	Upotetulla navalla varustetun hiomalaikan/monilaikan/teräharjalaikan suojus
3	Sisälaippa/superlaippa/sisälaippa 102 (vain Australia ja Uusi-Seelanti)
4	Upotetulla navalla varustettu laikka/monilaikka
5	Lukkomutteri/Ezynut*1
6	Hiovan katkaisulaikan / timanttilaikan suojus*2
7	Sisälaippa/superlaippa/sisälaippa 78 (vain Australia ja Uusi-Seelanti)
8	Hiova katkaisulaikka/timanttilaikka
9	Ulkolaippa 78 (vain Australia ja Uusi-Seelanti)*3
10	Lukkomutteri/Ezynut*1
11	Kumityyny
12	Hiomalaikka
13	Lukkomutteri hiontaan
14	Teräsharjalaikka
15	Teräskuppiharja
—	Lukkomutteriavain
—	Pölysuojus

*1 Älä käytä superlaippa ja Ezynutia yhdessä.

*2 Euroopassa voidaan käyttää timanttilaikan kanssa tavallista suojusta laikan molemmat puolet peittävän erikoissuojuksen sijasta.

*3 Käytä sisäistä laippaa 78 yhdessä ulkoisen laipan 78 kanssa. (Vain Australia ja Uusi-Seelanti.)

LATVIEŠU (oriģinālās instrukcijas)

Kopskata skaidrojums

1-1. Vārpstas bloķētājs	9-3. Iekšējais atloks	19-4. Ripas aizsargierīce abrazīvai atgrīšanas ripai/dimanta ripai
2-1. Slēdža mēlīte	10-1. Kontružgriežņa atslēga	20-1. Kontružgrieznis
2-2. Bloķēšanas svira	10-2. Vārpstas bloķētājs	20-2. Ārējais atloks 78
3-1. Indikatora lampa	11-1. Kontružgrieznis	20-3. Abrazīva atgrīšanas ripa/dimanta ripa
5-1. Slīpriņas aizsargs	11-2. Abrazīva ripa	20-4. Iekšējais atloks 78
5-2. Skrūve	11-3. Gumijas starpliņa	20-5. Ripas aizsargierīce abrazīvai atgrīšanas ripai/dimanta ripai
5-3. Gultņa ieliktnis	12-1. Ezynut	21-1. Izplūdes atvere
6-1. Slīpriņas aizsargs	12-2. Abrazīva ripa/Multi-disc ripa	21-2. Ieplūdes atvere
6-2. Gultņa ieliktnis	12-3. Iekšējais atloks	22-1. Kolektors
6-3. Uzgrieznis	12-4. Vārpsta	22-2. Izolācijas uzgalis
6-4. Svira	13-1. Vārpstas bloķētājs	22-3. Ogles suka
7-1. Uzgrieznis	14-1. Bultiņa	23-1. Sukas turekļa vāks
7-2. Svira	14-2. Ierobis	23-2. Skrūvgrieznis
8-1. Kontružgrieznis	17-1. Bļodveida stieplu suka	
8-2. Slīpriņa ar ieliektu centru	18-1. Stieplu sukas ripa	
8-3. Iekšējais atloks	19-1. Kontružgrieznis	
8-4. Virsatloks	19-2. Abrazīva atgrīšanas ripa/dimanta ripa	
9-1. Kontružgrieznis	19-3. Iekšējais atloks	
9-2. Slīpriņa ar ieliektu centru		

SPECIFIKĀCIJAS

Modeļis	GA7050	GA7050R	GA9050	GA9050R
Slīpriņas ar ieliektu centru diametrs	180 mm	180 mm	230 mm	230 mm
Vārpstas vītne	M14	M14	M14	M14
Tukšgaitas ātrums (n_0) / nominālais ātrums (n)	8 500(min^{-1})	8 500(min^{-1})	6 600(min^{-1})	6 600(min^{-1})
Kopējais garums	432 mm	455 mm	432 mm	455 mm
Neto svars	4,5 kg	4,6 kg	4,7 kg	4,8 kg
Drošības klase	II/III			

- Dēļ mūsu nepārtrauktās pētniecības un izstrādes programmas, šeit dotās specifikācijas var mainīties bez brīdinājuma.
- Atkarība no valsts specifikācijas var atšķirties.
- Svars atbilstoši EPTA-Procedure 01/2003

Paredzētā lietošana

Šis darbarīks ir paredzēts metāla un akmeņu slīpēšanai, nolīdzināšanai un griešanai bez ūdens izmantošanas.

ENE048-1

ENF002-2

Strāvas padeve

Darbarīks jāpievieno tikai tādai strāvas padevei, kuras spriegums ir tāds pats, kā norādīts uz plāksnītes ar nosaukumu, un to var ekspluatēt tikai ar vienfāzes maiņstrāvas padevi. Darbarīks aprīkots ar divkārtšo izolāciju, tādēļ to var izmantot arī, pievienojot kontaktligzdai bez iezemējuma vada.

ENG905-1

Omiem, var uzskatīt, ka negatīvu efektu nebūs. Elektrotīkla kontaktligzdai, kurai ir pievienota šī ierīce, jābūt aizsargātai ar drošinātāju vai slēgiekārtu ar iedarbošanās aizkavi.

Troksnis

Tipiskais A-svērtais trokšņa līmenis ir noteikts saskaņā ar EN60745:

Skaņas spiediena līmenis (L_{pA}): 94 dB(A)
Skaņas jaudas līmenis (L_{WA}): 105 dB(A)
Mainīgums (K) : 3 dB(A)

Lietojiet ausu aizsargus

Modelim GA7050, GA9050

ENF100-1

Ir paredzēts barošanai no zemsprieguma elektrības tīkliem ar spriegumu no 220 V līdz 250 V.

Ieslēdzot elektriskās ierīces rodas sprieguma fluktuācija. Šīs ierīces darbināšana nelabvēlīgajos elektropadeves apstākļos var pasliktināt citu iekārtu darbību. Ja barošanas tīkla pilnā pretestība ir mazāka par 0,22

ENG900-1

Vibrācija

Vibrācijas kopējā vērtība (trīs asu vektora summa) noteikta saskaņā ar EN60745:

Modelis GA7050,GA7050R

Darba režīms: virsmas slīpēšana
Vibrācijas emisija ($a_{h,AG}$): 6,5 m/s²
Nenoteiktību (K) : 1,5 m/s²

Darba režīms: slīpēšana ar slīpripi
Vibrācijas izmeši ($a_{h,DS}$): 4,0 m/s²
Nenoteiktību (K) : 1,5 m/s²

Modelis GA9050,GA9050R

Darba režīms: virsmas slīpēšana
Vibrācijas emisija ($a_{h,AG}$): 5,5 m/s²
Nenoteiktību (K) : 1,5 m/s²

Darba režīms: slīpēšana ar slīpripi
Vibrācijas izmeši ($a_{h,DS}$): 2,5 m/s²
Nenoteiktību (K) : 1,5 m/s²

ENG902-1

- Paziņotā vibrācijas emisijas vērtība noteikta atbilstoši standarta pārbaudes metodei un to var izmantot, lai salīdzinātu vienu darbarīku ar citu.
- Paziņoto vibrācijas emisijas vērtību arī var izmantot iedarbības sākotnējā novērtējumā.
- Paziņoto vibrācijas emisijas vērtību izmanto galvenajām mehanizētā darbarīka darbībām. Taču, ja darbarīku izmanto citām darbībām, vibrācijas emisijas vērtība var būt atšķirīga.

⚠BRĪDINĀJUMS:

- Reāli lietojot mehanizēto darbarīku, vibrācijas emisija var atšķirties no paziņotās emisijas vērtības atkarībā no darbarīka izmantošanas veida.
- Lai aizsargātu lietotāju, nosakiet drošības pasākumus, kas pamatoti ar iedarbību reālos darba apstākļos (ņemot vērā visus ekspluatācijas cikla posmus, piemēram, laiku, kamēr darbarīks ir izslēgts un kad darbojas tukšgaitā, kā arī palaides laiku).

ENH101-15

Tikai Eiropas valstīm

EK Atbilstības deklarācija

Mēs, uzņēmums „Makita Corporation”, kā atbildīgs ražotājs paziņojam, ka sekojošais/-ie „Makita” darbarīks/-i:

Darbarīka nosaukums:

Leņķa slīpmašīna

Modeļa nr./ Veids: GA7050, GA7050R, GA9050, GA9050R

ir sērijas ražojums un

atbilst sekojošām Eiropas Direktīvām:

2006/42/EC

Un tas ražots saskaņā ar sekojošiem standartiem vai standartdokumentiem:

EN60745

Tehnisko dokumentāciju uztur mūsu pilnvarots pārstāvis Eiropā -

Makita International Europe Ltd.

Michigan Drive, Tongwell,
Milton Keynes, Bucks MK15 8JD, Anglija

26.6.2009



000230

Tomoyasu Kato
Direktors

Makita Corporation
3-11-8, Sumiyoshi-cho,
Anjo, Aichi, 446-8502, JAPAN

GEA010-1

Vispārējie mehanizēto darbarīku drošības brīdinājumi

⚠ BRĪDINĀJUMS Izlasiet visus drošības brīdinājumus un visus norādījumus. Brīdinājumu un norādījumu neievērošanas gadījumā var rasties elektriskās strāvas trieciens, ugunsgrēks un/vai nopietnas traumas.

Glabājiet visus brīdinājumus un norādījumus, lai varētu tajos ieskatīties turpmāk.

GEB033-4

DROŠĪBAS BRĪDINĀJUMI SLĪPĒTĀJA LIETOŠANAI

Drošības brīdinājumi, kopīgi slīpēšanas, slīpēšanas ar smilšpapīru, apstrādes ar stieple suku vai abrazīvas atgrīšanas darbībām:

1. Šis mehanizētais darbarīks ir paredzēts slīpētāja, darbarīka slīpēšanai ar smilšpapīru, stieple suku vai atgrīšanas darbarīka funkciju pildīšanai. Izlasiet visus drošības brīdinājumus, instrukcijas un specifikācijas, kas iekļautas mehanizētā darbarīka komplektācijā. Ja netiek ievēroti visi zemāk izklāstītie norādījumi, var tikt izraisīts elektriskās strāvas trieciens, ugunsgrēks un/vai smagas traumas.
2. Ar šo mehanizēto darbarīku nav ieteicams veikt tādas darbības kā pulēšana. Veikt darbības, kam šis mehanizētais darbarīks nav paredzēts, var būt bīstami un var radīt miesas bojājumus.
3. Lietojiet tikai darbarīka ražotāja īpaši izgatavotos un ieteiktos piederumus. Kaut arī piederumu ir iespējams piestiprināt pie darbarīka, tā lietošana nav droša.
4. Piederuma nominālajam ātrumam jābūt vismaz vienādam ar maksimālo ātrumu, kas atzīmēts uz mehanizētā darbarīka. Piederumi, kas kustas ātrāk par nominālo ātrumu, var salūzt un nolidot nost.

5. **Piederuma ārējā diametram un biežumam jābūt mehanizētā darbarīka jaudas koeficienta robežās.** Nepareiza izmēra piederumus nav iespējams pietiekami uzmanīt vai kontrolēt.
6. **Ripu, atloku, atbalsta ieliktni vai jebkuru citu piederumu vārpstas lielumam jābūt atbilstošam mehanizētā darbarīka tapai.** Piederumi ar asu atverēm, kas neatbilst mehanizētā darbarīka montāžas aparatūrai, ir nestabili, pārmērīgi vibrē un var izraisīt kontroles zaudēšanu.
7. **Neizmantojiet bojātu aprīkojumu.** Pirms katras lietošanas pārbaudiet tādu aprīkojumu kā abrazīvās ripas, vai nav skaidu un plaisu, pīsumu vai nolietojuma, un stieplu suku - vai nav vaļīgu vai lūzušu stieplu. Ja mehanizētais darbarīks vai piederums nokrīt, pārbaudiet, vai nav radušies bojājumi vai ierīkojiet nebojātu piederumu. Pēc piederuma pārbaudes un ierīkošanas atkāpieties un lieciet visiem klātesošajiem atkāpties no rotējošā piederuma, un darbiniet mehanizēto darbarīku bez noslodzes ar maksimālo ātrumu vienā minūtē. Bojāti piederumi šādas pārbaudes laikā parasti izjūk.
8. **Valkājiet personīgo aizsargaprīkojumu.** Atkarībā no veicamā darba valkājiet sejas aizsargu, aizsargbrilles vai brilles. Ja vajadzīgs, valkājiet putekļu masku, ausu aizsargus, cimdus un darba priekšautu, kas aiztur mazas abrazīvas vai materiāla daļiņas. Acu aizsardzības aprīkojumam jāaiztur lidojoši netīrumi, kas rodas dažādu darbu veikšanas laikā. Putekļu maskas vai respiratora filtram jāaiztur darba laikā radušās daļiņas. Ilgstoša ļoti intensīva trokšņa iedarbībā varat zaudēt dzirdi.
9. **Uzmaniet, lai apkārtējās personas atrastos drošā attālumā no darba vietas.** Ikvienam, kas atrodas darba vietā, jāvalkā personīgais aizsargaprīkojums. Apstrādājamā materiāla vai bojāta piederuma daļiņas var aizlidot un izraisīt ievainojumus tiem, kas atrodas darba vietas tuvumā.
10. **Darba laikā turiet mehanizēto darbarīku tikai aiz izolētām virsmām, ja griežējpiederums var pieskarties slēptam vadam zem sprieguma, vai urbja vadam.** Griežējpiederumam pieskaroties vadam, kas atrodas zem sprieguma, var nodot spriegumu mehanizētā darbarīka metāla daļām, un darba veicējs var saņemt elektrisko triecienu.
11. **Novietojiet vadu tā, lai tas nepieskartos rotējošam piederumam.** Ja zaudēsiet vadību, vadu var pārgriezt vai aizķert, bet jūsu roku var ieraut rotējošajā piederumā.
12. **Mechanizēto darbarīku nedrīkst nolikt malā, līdz piederums nav pilnībā pārstājis darboties.** Rotējošais piederums var satvert virsmu un izraut

mehanizēto darbarīku jums no rokām.

13. **Mechanizēto darbarīku nedrīkst darbināt, kad pārnēsājat to virzienā pret sevi.** Ja apgērbs nejausi pieskaras rotējošajam piederumam, tas var tikt satverts, piederumu ievelkot jūsu ķermenī.
14. **Regulāri tīriet mehanizētā darbarīka gaisa ventīļus.** Motora ventilators ievieļ putekļus korpusā un pārmērīga pulverveida metāla uzkrāšanās var izraisīt elektrības sistēmas bojājumus.
15. **Mechanizēto darbarīku nedrīkst darbināt viegļi uzliesmojošu materiālu tuvumā.** Zirkrastes vai aizdedzināt šos materiālus.
16. **Nelietojiet tādus piederumus, kam vajadzīgi dzesēšanas šķidrums.** Lietojot ūdeni vai citus dzesēšanas šķidrumus, var gūt nāvējošu triecienu vai elektriskās strāvas triecienu.

Atsitienu un ar to saistīti brīdinājumi

Atsitiens ir pēkšņa reakcija uz iespiestu vai aizķērušos rotējošo ripu, atbalsta ieliktni, suku vai kādu citu piederumu. Iespūšana vai aizķeršanās izraisa pēkšņu rotējošā piederuma apstāšanos, kas, savukārt, kontakta brīdī izraisa nekontrolētu mehanizētā darbarīka grūdienu pretēji tā rotācijas virzienam.

Piemēram, ja abrazīvā ripa tiek iespiesta vai aizķeras aiz apstrādājamās virsmas, ripas asmens, kas tiek ievadīts saskares punktā, var ieurbties materiāla virsmā, liekot ripai izkļūt no tā vai izraisot atsitienu. Ripa saskares brīdī var izlekt vai nu operatora virzienā, vai prom no viņa, atkarībā no ripas kustības virziena. Abrazīvās ripas šādos apstākļos var arī salūzt.

Atsitiens rodas darbarīka nepareizas lietošanas un/vai nepareizas darbības vai apstākļu rezultātā, un no tā var izvairīties, veicot piemērotus drošības pasākumus, kā norādīts zemāk.

- a) **Nepārtraukti cieši turiet mehanizēto darbarīku un novietojiet savu ķermeni un rokas tā, lai varētu pretoties atsitienu spēkiem.** Lai maksimāli kontrolētu atsitienu vai - iedarbināšanas laikā - griezes momentu, vienmēr lietojiet palīgrokuri, ja tāds ir. Operators var kontrolēt griezes momenta reakciju vai atsitienu spēku, ja veic atbilstošus piesardzības pasākumus.
- b) **Rokas nedrīkst turēt rotējošā piederuma tuvumā.** Piederums var radīt atsitienu rokuai.
- c) **Neviena jūsu ķermeņa daļa nedrīkst atrasties teritorijā, kur atsitienu gadījumā pārvietosies mehanizētais darbarīks.** Atsitiens saskares brīdī pārvieto darbarīku virzienā pretēji ripas kustībai.
- d) **Ievērojiet īpašu piesardzību, apstrādājot stūrus, asas malas, u.c. Novērsiet piederuma atlēcienus un sadursmes ar šķēršļiem.** Stūri, asas malas vai atlēcieni mēdz saķert rotējošo piederumu un izraisīt kontroli zaudēšanu pār darbarīku vai atsitienu.
- e) **Nepievienojiet zāga ķēdes kokgriezumu asmeni vai zobaino zāga asmeni.** Šādi asmeņi

izraisa biežus atsitienu un kontroles zaudēšanu

Drošības brīdinājumi, specifiski slīpēšanas un abrazīvas atgrīšanas darbībām:

a) **Izmantojiet tikai savam mehanizētajam darbarīkam ieteiktos ripu veidus un specifiskos aizsargus, kas izstrādāti izvēlētajām ripām.** Ripas, kam mehanizētais darbarīks nav paredzēts, nevar pienācīgi aizsargāt, tāpēc tās nav drošas.

b) **Aizsargam jābūt droši piestiprinātam pie mehanizētā darbarīka un novietotam maksimālai drošībai, tādējādi operatora virzienā ir atsegta vismazākā slīpripas daļa.** Aizsargs palīdz aizsargāt operatoru no salūzušas ripas daļām un nejaušas saskares ar slīpripu.

c) **Ripa jāizmanto tikai ieteiktajiem pielietojumiem. Piemēram: neslīpējiet ar atgrīšanas ripas malu.** Abrazīvās atgrīšanas ripas ir paredzētas perifērai slīpēšanai, pret šīm slīpripām pielietots spēks no sāniem var likt tām saplaisāt.

d) **Vienmēr izmantojiet nebojātus, izvēlētajai slīpripai atbilstoša izmēra un formas ripas atlokus.** Atbilstoši ripas atloki atbalsta slīpripu, tādējādi samazinot tās salūšanas iespēju. Atgrīšanas ripu atloki var atšķirties no slīpēšanai paredzēto ripu atlokiem.

e) **Neizmantojiet nolietotas ripas no lielākiem mehanizētajiem darbarīkiem.** Lielākiem mehanizētajiem darbarīkiem paredzētās ripas nav piemērotas mazāka darbarīka lielajam ātrumam un tās var pārplīst.

Papildu drošības brīdinājumi, specifiski abrazīvas atgrīšanas darbībām:

a) **"Neiespiediet" atgrīšanas ripu un nepielietojiet pārmērīgu spiedienu.** Nemēģiniet veikt pārmērīga dziļuma griezumus. Ripas pārspiegošana palielina slodzi un uzņēmību pret ripas savēršanos vai aizķeršanos griezumā, un atsitienu, un ripas salūšanas iespējamību.

b) **Neviena jūsu ķermeņa daļa nedrīkst atrasties vienā līnijā ar rotējošo ripu un aiz tās.** Kad darba laikā ripas pārvietojas virzienā prom no jūsu ķermeņa, iespējamais atsitiens var bīdīt rotējošo ripu un mehanizēto darbarīku tieši jūsu virzienā.

c) **Ja ripa aizķeras vai kad kāda iemesla dēļ tiek pārtraukts griezumš, izslēdziet mehanizēto darbarīku un turiet to nekustīgi, līdz ripa apstājas pilnībā.** Nekad nemēģiniet izņemt atgrīšanas ripu no griezuma, kamēr ripa vēl rotē, pretējā gadījumā var rasties atsitiens. Pārbaudiet un veiciet attiecīgus pasākumus, lai likvidētu ripas aizķeršanās cēloņus

d) **Neatsāciet griešanas darbību, darbarīkam atrodoties apstrādājamajā virsmā.** Ļaujiet ripai sasniegt pilnu ātrumu un tad uzmanīgi ievietojiet to griezumā no jauna. Ripa var aizķerties, izvirzīties augšup vai veikt atsitienu, ja mehanizētais darbarīks tiek iedarbināts no jauna,

kamēr tā atrodas apstrādājamajā virsmā.

e) **Atbalstiet paneļus un visas pārmērīga lieluma apstrādājamās virsmas, lai samazinātu ripas iesprūšanas un atsitienu risku.** Lielu apstrādājamās virsmas laukumi bieži vien ieliecās paši zem sava svara. Atbalsti jānovieto abās ripas pusēs zem apstrādājamās virsmas, griezuma līnijas tuvumā un tuvu apstrādājamās virsmas malai.

f) **Esiet īpaši uzmanīgi, veicot "nišas griezumus" jau esošās sienās vai citās aizsegtais vietās.** Caururbijašais asmens var pārgriezt gāzes vai ūdens caurules, elektrības vadus vai priekšmetus, kas var izraisīt atsitienu.

Drošības brīdinājumi, specifiski slīpēšanai ar smilšpapīru:

a) **Neizmantojiet pārāk lielu smilšpapīra diska papīru.** Ievērojiet ražotāja rekomendācijas, kad izvēlaties smilšpapīru. Lielāks smilšpapīrs, kas sniedzas aiz smilšpapīra ieliktna, rada pļsumu briesmas un var izraisīt diska aizķeršanos, pļsumu vai atsitienu.

Drošības brīdinājumi, specifiski apstrādei ar stieplu suku:

a) **Nemiet vērā, ka stieplu sari veic gājienu pat parastas darbības laikā.** Nepielietojiet pārspiedienu pret stieplēm, pielietojot pārmērīgu slodzi pret suku. Stieplu sari var viegli pārplēst vieglus audumus un/vai ādu.

b) **Ja apstrādei ar stieplu suku ieteikts izmantot aizsargu, nepieļaujiet stieplu ripas vai sukas saskari ar aizsargu.** Stieplu ripai vai sukai var palielināties diametrs darba slodzes un centrālās spēku iedarbībā.

Papildu drošības brīdinājumi:

17. **Ja izmantojat slīpripas ar ieliktu centru, noteikti izmantojiet tikai stikla šķiedras slīpripas.**
18. **Kopā ar šo slīpmašīnu NEKAD NEIZMANTOJIET** bļodveida akmens ripu. Šī slīpmašīna nav paredzēta šāda veida ripām, un to izmantošana var izraisīt nopietnus ievainojumus.
19. **Uzmanieties, lai nesabojātu vārpstu, atloku (it īpaši uzstādīšanas virsmu) un pretuzgriezni.** Šo daļu bojājums var izraisīt slīpripas salūšanu.
20. **Pārliecinieties, ka slīpripa nepieš apstrādājamai virsmai pirms slēdža ieslēgšanas.**
21. **Pirms īsta materiāla apstrādāšanas darbiniet darbarīku kādu brīdi tukšgaitā.** Pievērsiet uzmanību tam, vai nav novērojama vibrācija vai svārstīšanās, kas varētu norādīt uz nekvalitatīvu uzstādīšanu vai nepareizi līdzsvarotu ripu.
22. **Lai veiktu slīpēšanu, izmantojiet tam paredzēto slīpripas virsmu.**

23. Sargieties no dzirkstelēm. Turiet darbarīku tā, lai novirzītu dzirksteles cilvēkiem un viegli uzliesmojošiem materiāliem pretējā virzienā.
24. Neatstājiet ieslēgtu darbarīku. Darbiniet darbarīku vienīgi tad, ja turat to rokās.
25. Neskarieties pie apstrādājamas detaļas tūlīt pēc darba izpildes; tā var būt ārkārtīgi karsta un var apdedzināt ādu.
26. Vienmēr pārliecinieties, ka darbarīks ir izslēgts un atvienots no elektrības, un ir izņemts akumulators, pirms veicat kādas darbības ar šo darbarīku.
27. Ievērojiet ražotāja norādījumus slīpripu pareizai montāžai un lietošanai. Apejieties ar slīpripām uzmanīgi un uzglabājiet tās saudzīgi.
28. Neizmantojiet atsevišķus pārejas ieliktnus vai adapterus, lai pielāgotu abrazīvās slīpripas ar liela diametra atveri.
29. Izmantojiet tikai šim darbarīkam paredzētus atlokus.
30. Darbarīkiem, kuri paredzēti lietošanai ar vītņotu slīpripu, pārliecinieties, ka slīpripas vītnes garums atbilst vārpstas garumam.
31. Pārbaudiet, vai apstrādājamā detaļa ir pienācīgi atbalstīta.
32. Ņemiet vērā to, ka slīpripa turpina griezties arī pēc darbarīka izslēgšanas.
33. Ja darba vietā ir augsta temperatūra un liels mitrums, vai tā ir stipri piesārņota ar vadītspējīgiem putekļiem, izmantojiet īssavienojuma pārtraucēju (30 mA), lai garantētu operatora drošību.
34. Neizmantojiet instrumentu darbam ar jebkādiem materiāliem, kuri satur azbestu.
35. Neizmantojiet ūdeni vai slīpēšanas ziežvielu.
36. Strādājot puteklainā vidē, nodrošiniet, lai ventilācijas atveres būtu tīras. Ja nepieciešams iztīrīt putekļus, vispirms atvienojiet instrumentu no barošanas tīkla (tīrīšanai izmantojiet nemetāliskas pierīces) un izvairieties no iekšējo daļu bojājuma.
37. Griežņripas lietošanas gadījumā vienmēr izmantojiet rīpas aizsargu ar putekļu savācēju, jo to prasa vietēja likumdošana.
38. Griežņripas nedrīkst pakļaut jebkura veida sānu spiedienam.

SAGLABĀJIET ŠOS NORĀDĪJUMUS.

▲BRĪDINĀJUMS:

NEZAUDĒJIET modrību darbarīka lietošanas laikā (tas var gadīties pēc darbarīka daudzkārtējas izmantošanas), rūpīgi ievērojiet urbsanas drošības noteikumus šim izstrādājumam. **NEPAREIZAS LIETOŠANAS** vai šīs rokasgrāmatas drošības

noteikumu neievērošanas gadījumā var gūt smagas traumas.

FUNKCIJU APRAKSTS

▲UZMANĪBU:

- Pirms regulējat vai pārbaudāt instrumenta darbību, vienmēr pārliecinieties, vai instruments ir izslēgts un atvienots no barošanas.

Vārpstas bloķētājs

▲UZMANĪBU:

- Nekad neieslēdziet vārpstas bloķētāju kamēr vārpsta griežas. Tas var sabojāt darbarīku.

Att.1

Nospiediet vārpstas bloķētāju, lai novērstu vārpstas rotāciju piederumu uzstādīšanas vai noņemšanas laikā.

Slēdža darbība

▲UZMANĪBU:

- Pirms instrumenta pieslēgšanas vienmēr pārbaudiet, vai slēdža mēlīte darbojas pareizi un atgriežas izslēgtā stāvoklī, kad tiek atlaista.
- Slēdzi var ieslēgt "ON" (ieslēgts) stāvoklī, lai atvieglotu operatora darbu ilgstoša darba laikā. Esiet uzmanīgi, ieslēdzot darbarīku "ON" (ieslēgts) stāvoklī, un turpiniet cieši turēt darbarīku.

Att.2

Darbarīkam ar pārslēga bloķēšanu ieslēgtajā stāvoklī

Lai iedarbinātu darbarīku, vienkārši pavelciet slēdža mēlīti (B virzienā). Lai apturētu darbarīku, atlaidiet slēdža mēlīti. Lai darbarīks darbotos nepārtraukti, pavelciet slēdža mēlīti (B virzienā) un tad nospiediet bloķēšanas sviru (A virzienā). Lai apturētu darbarīku, kad slēdzis ir bloķēts, pievelciet slēdža mēlīti līdz galam (B virzienā), tad atlaidiet to.

Darbarīkam ar slēdža bloķēšanu izslēgtajā stāvoklī

Lai nepieļautu slēdža mēlītes nejaušu nospiešanu, darbarīks ir aprīkots ar bloķēšanas sviru.

Lai iedarbinātu darbarīku, nospiediet bloķēšanas sviru (A virzienā) un pavelciet slēdža mēlīti (B virzienā). Lai apturētu darbarīku, atlaidiet slēdža mēlīti.

Darbarīkam ar slēdža bloķēšanu gan ieslēgtajā, gan izslēgtajā stāvoklī

Lai nepieļautu slēdža mēlītes nejaušu nospiešanu, darbarīks ir aprīkots ar bloķēšanas sviru.

Lai iedarbinātu darbarīku, nospiediet bloķēšanas sviru (A virzienā) un pavelciet slēdža mēlīti (B virzienā). Lai apturētu darbarīku, atlaidiet slēdža mēlīti.

Lai darbarīks darbotos nepārtraukti, nospiediet bloķēšanas sviru (A virzienā), pavelciet slēdža mēlīti (B virzienā) un pēc tam pavelciet bloķēšanas sviru (C virzienā).

Lai apturētu darbarīku, kad slēdzis ir bloķēts, pievelciet slēdža mēlīti līdz galam (B virzienā), tad atlaidiet to.

Indikatora lampiņa (modelim GA7050R/GA9050R)

Att.3

Zaļā indikatora lampiņa iedegas, kad darbarīks ir pievienots barošanas avotam. Ja indikatora lampiņa neiedegas, var būt bojāts strāvas vads vai regulators. Indikatora lampiņa deg, taču darbarīks nesāk darboties, pat, ja tas ir ieslēgts, tad var būt nolietojušās ogles sukuas vai arī var būt bojāts regulators, dzinējs vai ON/OFF (ieslēgts/izslēgts) slēdzis.

Drošība pret nejaūšu darbības atsākšanu

Pat bloķēšanas svira neļauj atkārtoti iedarbināt darbarīku tad, ja tā notur slēdža mēlīti nospiestu (noblokētā stāvoklī), pat, ja darbarīks ir pievienots barošanas avotam.

Šajā gadījumā mirgo sarkana indikatora lampiņa, norādot, ka darbojas drošības ierīce pret nejaūšu darbības atsākšanu.

Lai atceltu drošību pret nejaūšu darbības atsākšanu, pievelciet slēdža mēlīti līdz galam, tad atlaidiet to.

Maiģās palaišanas funkcija

Šie modeļi darbību uzsāk lēni, kad tos ieslēdz. Šāda laidena ieslēgšana nodrošina vienmērīgāku darbību.

MONTĀŽA

⚠UZMANĪBU:

- Vienmēr pārliecinieties, vai instruments ir izslēgts un atvienots no barošanas, pirms veicat jebkādas darbības ar instrumentu.

Sānu roktura uzstādīšana (rokturis)

⚠UZMANĪBU:

- Vienmēr pirms darbarīka izmantošanas pārliecinieties, ka sānu rokturis ir droši uzstādīts.

Att.4

Stingri pieskrūvējiet sānu rokturi pie darbarīka, kā parādīts zīmējumā.

Ripas aizsargierīces uzstādīšana vai noņemšana (slīpriņa ar ieliektu centru, Multi-disc ripa, stieplu sukuas ripa/abrazīva atgriešanas ripa, dimanta ripa)

⚠BRĪDINĀJUMS:

- Slīpriņas ar ieliektu centru/Multi-disc, lokanās ripas vai stieplu sukuas ripas izmantošanas gadījumā slīpriņas aizsargs ir jāuzstāda uz darbarīka tā, lai aizsarga slēgtā daļa vienmēr būtu vērsta operatora virzienā.
- Izmantojot abrazīvu atgriešanas/dimanta ripu, lietojiet tikai īpašu slīpriņas aizsargu, kas paredzēts atgriešanas ripām. (Eiropas valstīs, izmantojot dimanta ripu, var lietot parasto aizsargu.)

Darbarīkam ar atdures skrūves tipa slīpriņas aizsargu

Att.5

Uzstādiat slīpriņas aizsargu tā, lai uz tā malas esošais izcilnis sakristu ar gultņa ieliktna ierobu. Tad pagrieziet slīpriņas aizsargu par 180 grādiem pretēji pulksteņrādītāja virzienam. Pārliecinieties, ka skrūve ir cieši pievilktā.

Lai noņemtu slīpriņas aizsargu, izpildiet augstāk aprakstīto uzstādīšanas procedūru apgrieztā secībā.

Darbarīkam ar spīlējuma sviras tipa slīpriņas aizsargu

Att.6

Att.7

Atslābiniet slīpriņas aizsarga sviru. Uzstādiat slīpriņas aizsargu tā, lai uz tā malas esošais izcilnis sakristu ar gultņa ieliktna ierobu. Tad pagrieziet slīpriņas aizsargu līdz zīmējumā attēlotajai pozīcijai. Pievelciet sviru, lai nostiprinātu slīpriņas aizsargu. Ja svira ir pārāk cieši pievilktā vai ir pārāk vaļīga un ar tās palīdzību nevar nostiprināt slīpriņas aizsargu, atskrūvējiet vai pieskrūvējiet uzgriezni, lai noregulētu slīpriņas aizsarga malas pievilksanu.

Lai noņemtu slīpriņas aizsargu, izpildiet augstāk aprakstīto uzstādīšanas procedūru apgrieztā secībā.

Slīpriņas ar ieliektu centru/Multi-disc (piederums) uzstādīšana un noņemšana

⚠BRĪDINĀJUMS:

- Kad uz darbarīka ir uzstādīta slīpriņa ar ieliektu centru/Multi-disc vienmēr izmantojiet piegādāto aizsargu. Lietošanas laikā slīpriņa var sadrupēt un aizsargs palīdz samazināt traumas gūšanas risku.

Att.8

Uzstādiat uz vārpstas iekšējo atloku. Novietojiet slīpriņu virs iekšējā atloka un pieskrūvējiet kontruzgriezni uz vārpstas.

⚠BRĪDINĀJUMS:

- Nekad neizmantojiet slīpriņu, kas biežāka par 6,5 mm.

Virsatloks

Modeļiem ar burtu F standarta aprīkojumā ir uzlabotais atloks. Lai atskrūvētu kontruzgriezni, vajag tikai 1/3 tā darba, kāds vajadzīgs, skrūvējot parastā veidā.

Austrālijai un Jaunzēlandei

Att.9

Uzstādiat uz vārpstas iekšējo atloku. Novietojiet slīpriņu virs iekšējā atloka un pieskrūvējiet kontruzgriezni tā, lai tā izcilnis būtu vērsts lejup (proti, uz slīpriņas pusi).

Lai pievilktu kontruzgriezni, stingri nospiediet vārpstas bloķētāju, lai vārpsta nevarētu griezties, pēc tam ar kontruzgriežņa atslēgas palīdzību labi pievelciet to pulksteņrādītāja virzienā.

Att.10

Lai noņemtu slīpripu, izpildiet augstāk aprakstīto uzstādīšanas procedūru apgrieztā secībā.

Abrazīvās ripas (papildpiederums) uzstādīšana vai noņemšana

PIEZĪME:

- Izmantojiet slīpmašīnas piederumus, kādi norādīti šajā rokasgrāmatā. Tos jāiegādājas atsevišķi.

Att.11

Uz vārpstas uzstādiet gumijas paliktņi. Novietojiet ripu uz gumijas paliktņa un uz vārpstas uzskrūvējiet kontruzgriezni. Lai pieskrūvētu kontruzgriezni, stingri nospiediet vārpstas bloķētāju, lai vārpsta nevarētu griezties, un pēc tam ar kontruzgriežņa atslēgas palīdzību cieši pieskrūvējiet to pulksteņrādītāja virzienā. Lai noņemtu ripu, izpildiet iepriekš aprakstīto uzstādīšanas procedūru apgrieztā secībā.

Ezynut (papildpiederums) uzstādīšana vai noņemšana

⚠UZMANĪBU:

- Neizmantojiet Ezynut ar virsatloku vai leņķa slīpmašīnu, kurai modeļa numura beigās ir burts „F”. Šādi atloki ir ļoti bieži, un vārpsta nevar noturēt visu vītņi.

Att.12

Uzstādiet iekšējo atloku, abrazīvu ripu/Multi-disc ripu un Ezynut uz vārpstas tādā veidā, lai Makita logotips uz Ezynut atrodas ārpusē.

Att.13

Cieši piespiediet vārpstas bloķētāju un pieskrūvējiet Ezynut, griežot abrazīvo ripu/Multi-disc ripu pulksteņrādītāja virzienā, cik tālu iespējams pagriezt. Griežiet ārējo gredzenu Ezynut pretēji pulksteņrādītāja virzienam, lai to atskrūvētu.

Att.14

Att.15

PIEZĪME:

- Ezynut var atskrūvēt ar roku, ja bulta atrodas pret ierobu. Pretējā gadījumā atskrūvēšanai nepieciešama kontruzgriežņa uzgriežņatslēga. Ievietojiet vienu uzgriežņatslēgas tapu atverē un pagrieziet Ezynut pretēji pulksteņrādītāja virzienam.

EKSPLUATĀCIJA

⚠BRĪDINĀJUMS:

- Strādājot ar darbarīku nekad nepielietojiet pārmērīgu spēku. Darbarīka svars rada pietiekošu spiedienu. Pārmērīgs spēks vai spiediens uz darbarīka var izraisīt ripas sagrūšanu, kas ir ļoti bīstami.

- VIENMĒR mainiet ripu, ja slīpēšanas laikā darbarīks nokrita.
- NEKAD nesietiet slīpripu pret apstrādājamo virsmu.
- Izvairieties no ripas lēkāšanas un sadursmes ar šķēršļiem, it īpaši stūru, asu malu utt. apstrādes laikā. Tas var izraisīt kontroles zaudēšanu un atsitieni.
- NEKAD nelietojiet darbarīku ar koka griešanas asmeņiem un citām zāģa plātnēm. Izmantojot šādas plātnes uz slīpmašīnām bieži rodas atsitieni, kuri izraisa kontroles zaudēšanu un traumu gūšanu.

⚠UZMANĪBU:

- Nekad neieslēdziet darbarīku, kamēr tas pieskaras apstrādājamai virsmai, jo tas var novest pie traumas gūšanas.
- Darba laikā vienmēr lietojiet aizsargbrilles vai sejas aizsargmasku.
- Pēc darba pabeigšanas vienmēr slēdziet darbarīku ārā un uzgaidiet, kamēr ripa pilnīgi apstāties pirms nolieciat darbarīku.

Slīpēšana un nolīdzināšana

Att.16

VIENMĒR stingri turiet darbarīku ar vienu roku aiz aizmugurējo rokturi un ar otru aiz sānu roktura. Ieslēdziet darbarīku un sāciet apstrādāt detaļu ar slīpripas vai diska palīdzību.

Turiet slīpripas vai diska malu apmēram 15 grādu leņķī pret apstrādājamo virsmu.

Uzsākot darbu ar jaunu slīpripu, nestrādājiet ar darbarīku B virzienā, citādi tas var ieurbties apstrādājamajā detaļā. Kad slīpripas mala lietošanas gaitā ir noapaļota, slīpripu var izmantot darbam abos - A un B virzienos.

Eksploatācija ar bļodveida stieplu suku (papildpiederums)

⚠UZMANĪBU:

- Pārbaudiet sukas darbību, iedarbinot darbarīku bez slodzes un nodrošinot, lai sukas priekšā vai sānos neviens neatrastos.
- Neizmantojiet suku, kas ir bojāta vai nav balansēta. Bojātas sukas izmantošana var palielināt ievainojumu, ko rada salauzta sukas stieples, iespēju.

Att.17

Atvienojiet darbarīku no strāvas un novietojiet otrādi, nodrošinot vienkāršu piekļuvi asij. No ass noņemiet visus piederumus. Uzstādiet bļodveida stieplu suku uz ass un pieskrūvējiet ar komplektā esošo uzgriežņu atslēgu. Izmantojot suku, to pārmērīgi nespiediet, jo tas var radīt stieplu saliekšanos, kas izraisa priekšlaicīgu saplīšanu.

Eksploatācija ar stieplu sukas ripu (papildpiederums)

⚠UZMANĪBU:

- Pārbaudiet stieplu sukas ripas darbību, iedarbinot darbarīku bez slodzes un nodrošinot, lai stieplu sukas ripas priekšā vai sānos neviens neatrastos.
- Neizmantojiet stieplu sukas ripu, kas ir bojāta vai nav balansēta. Bojātas stieplu sukas ripas izmantošana var palielināt ievainojumu, ko rada salauztas stieples, iespēju.
- Lietojot stieplu sukas ripu, VIENMĒR izmantojiet aizsargu, nodrošinot, ka ripas diametrs atbilst aizsarga iekšpusei. Lietošanas laikā ripa var sadrupēt un aizsargs palīdz samazināt ievainojumu gūšanas risku.

Att.18

Atvienojiet darbarīku no strāvas un novietojiet otrādi, nodrošinot vienkāršu piekļuvi asij. No ass noņemiet visus piederumus. Uzskrūvējiet stieplu sukas ripu uz ass un pieskrūvējiet ar uzgriežņu atslēgu.

Izmantojot stieplu sukas ripu, to pārmērīgi nespiediet, jo tas var radīt stieplu saliekšanos, kas izraisa priekšlaicīgu saplīšanu.

Darbība ar abrazīvu atgriešanas/dimanta ripu (papildpiederums)

⚠BRĪDINĀJUMS:

- Izmantojot abrazīvu atgriešanas/dimanta ripu, lietojiet tikai īpašu slīpripas aizsargu, kas paredzēts atgriešanas ripām. (Eiropas valstīs, izmantojot dimanta ripu, var lietot parasto aizsargu.)
- NEKAD NELIETOJIET griezējripu sānu slīpēšanai.
- Neiekļīnējiet ripu un nepielietojiet pārmērīgu spiedienu. Nemēģiniet veikt pārmērīga dziļuma griezumus. Ripas pārspriegošana palielina slodzi un uzņēmību pret ripas savērpšanos vai aizķeršanos griezumā, kā arī atsitiena, ripas salūšanas un dzinēja pārkarsēšanas iespējamību.
- Nesāciet griešanas darbību, darbarīkam atrodoties apstrādājamajā virsmā. Ļaujiet ripai sasniegt pilnu ātrumu un uzmanīgi ievietojiet to griezumā, virzot darbarīku uz priekšu pāri apstrādājamā materiāla virsmai. Ripa var aizķerties, izvirzīties augšup vai veikt atsitieni, ja mehanizētais darbarīks tiek iedarbināts, kamēr tā atrodas apstrādājamajā virsmā.
- Nesāciet slīpripas leņķi frēzēšanas laikā. Veicot sānu spiedienu uz griezējripu (kā, piemēram, slīpējot), ripa var saplaisāt un salūzt, radot nopietnus ievainojumus.
- Dimanta ripa jālieto perpendikulāri griežamajam materiālam.

Uzstādiēt uz vārpstas iekšējo atloku. Novietojiet slīpripu virs iekšējā atloka un pieskrūvējiet kontruzgriezni uz vārpstas.

Att.19

Uzstādot dimanta ripu vai abrazīvu atgriešanas ripu 7 vai vairāk mm biezumā, piestipriniet kontruzgriezni tādā veidā, lai tā priekšējā apaļā daļa (izcilnis), kas paredzēta ripas atverei, atrastos pret ripu.

Austrālijai un Jaunzēlandei

Abrazīvas atgriešanas ripas/dimanta ripu (papildpiederums) uzstādīšana vai noņemšana

Att.20

APKOPE

⚠UZMANĪBU:

- Pirms veicat pārbaudi vai apkopi vienmēr pārliecinieties, vai instruments ir izslēgts un atvienots no barošanas.
- Nekad neizmantojiet gāzoliņu, benzīnu, atšķaidītāju, spirtu vai līdzīgus šķīdumus. Tas var radīt izbalēšanu, deformāciju vai plaisas.

Att.21

Darbarīkam un tā ieplūdes un izplūdes atverēm jābūt tīriem. Regulāri tīriet darbarīka gaisa atveres, kā arī visos tajos gadījumos, kad atveres aizsprostojas.

Ogles suku nomaiņa

Att.22

Kad ogles sukā esošais sveķu izolācijas uzgalis iziet ārā un pieskaras kolektoram, dzinējs automātiski izslēdzas. Kad tas notiek, ir jānomaina abas ogle sukas. Turiet ogle sukas tīras un pārbaudiet, vai tās var brīvi ieiet turekļos. Abas ogle sukas ir jānomaina vienlaikus. Izmantojiet tikai identiskas ogle sukas.

Noņemiet sukas turekļa vāciņus ar skrūvgrieža palīdzību. Izņemiet nolietoto sūkā ogle sukas, ievietojiet jaunas un nostipriniet sukas turekļa vāciņus.

Att.23

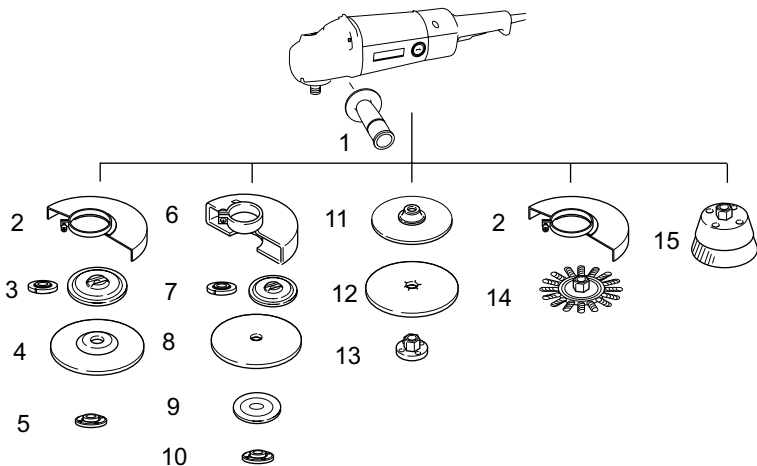
Lai saglabātu produkta DROŠU un UZTICAMU darbību, remontdarbus, apkopi un regulēšanu uzticiet veikt tikai Makita pilnvarotam apkopes centram un vienmēr izmantojiet tikai Makita rezerves daļas.

PIEDERUMI

⚠UZMANĪBU:

- Šādi piederumi un rīki tiek ieteikti lietošanai ar šajā pamācībā aprakstīto Makita instrumentu. Jebkādu citu piederumu un rīku izmantošana var radīt traumu briesmas. Piederumu vai rīku izmantojiet tikai tā paredzētajam mērķim.

Ja jums vajadzīga palīdzība vai precīzāka informācija par šiem piederumiem, vērsieties savā tuvākajā Makita apkopes centrā.



1	Sānu rokturis
2	Slīpripas aizsargs slīpripai ar ieliektu centru/Multi-disc ripa/stiepļu sukas ripa
3	Iekšējais atloks/virsatloks/iekšējais atloks 102 (tikai Austrālijā un Jaunzēlandē)
4	Slīpripa ar ieliektu centru/Multi-disc
5	Kontruzgrieznis/Ezynut*1
6	Slīpripas aizsargs abrazīvai atgriešanas ripai/dimanta ripai*2
7	Iekšējais atloks/virsatloks/iekšējais atloks 78 (tikai Austrālijā un Jaunzēlandē)
8	Abrazīva atgriešanas ripa/dimanta ripa
9	Ārējais atloks 78 (tikai Austrālijā un Jaunzēlandē)*3
10	Kontruzgrieznis/Ezynut*1
11	Gumijas starplika
12	Abrazīva ripa
13	Slīpēšanas kontruzgrieznis
14	Stiepļu sukas ripa
15	Bļodveida stiepļu suka
—	Kontruzgriezņa atslēga
—	Putekļu vācele

*1 Virsatloku un Ezynut neizmantojiet kopā.

*2 Eiropas valstīs, izmantojot dimanta ripu, īpašā aizsarga vietā, kas nosedz abas ripas puses, var lietot parasto aizsargu.

*3 Iekšējo atloku 78 un ārējo atloku 78 izmantojiet kopā (tikai Austrālijā un Jaunzēlandē).

LIETUVIŲ KALBA (Originali naudojimo instrukcija)

Bendrasis aprašymas

1-1. Ašies fiksatorius	9-3. Vidinis kraštas	19-3. Vidinis kraštas
2-1. Jungiklio spraktukas	10-1. Fiksavimo galvutės raktas	19-4. Apsauginis gaubtas šlifuojamajam pjovimo diskui/deimantiniam diskui
2-2. Fiksavimo svirtelė	10-2. Ašies fiksatorius	20-1. Fiksavimo galvutė
3-1. Indikatoriaus lemputė	11-1. Fiksavimo galvutė	20-2. Išorinė jungė 78
5-1. Disko saugiklis	11-2. Šlifavimo diskas	20-3. Šlifuojamasis pjovimo diskas/deimantinis diskas
5-2. Sraigtas	11-3. Guminis padas	20-4. Vidinė jungė 78
5-3. Guoliai	12-1. Įtaisas „Ezynut“	20-5. Apsauginis gaubtas šlifuojamajam pjovimo diskui/deimantiniam diskui
6-1. Disko saugiklis	12-2. Šlifavimo diskas/universalus diskas	21-1. Oro išmetimo anga
6-2. Guoliai	12-3. Vidinis kraštas	21-2. Oro įtraukimo anga
6-3. Veržlė	12-4. Velenas	22-1. Srovės keitiklis
6-4. Svirtelė	13-1. Ašies fiksatorius	22-2. Izoliacinis galiukas
7-1. Veržlė	14-2. Įdubimas	22-3. Anglinis šepetėlis
7-2. Svirtelė	17-1. Vielinis, taurelės formos šepetėlis	23-1. Šepetėlio laikiklio dangtelis
8-1. Fiksavimo galvutė	18-1. Vielinis, disko formos šepetėlis	23-2. Atsuktuvus
8-2. Nuspaustas centrinis diskas	19-1. Fiksavimo galvutė	
8-3. Vidinis kraštas	19-2. Šlifuojamasis pjovimo diskas/deimantinis diskas	
8-4. Super jungė		
9-1. Fiksavimo galvutė		
9-2. Nuspaustas centrinis diskas		

SPECIFIKACIJOS

Modelis	GA7050	GA7050R	GA9050	GA9050R
Nuspausto centrinio disko skersmuo	180 mm	180 mm	230 mm	230 mm
Veleno sriegis	M14	M14	M14	M14
Greitis be apkrovos (n_0) / nominalusis greitis (n)	8 500(min^{-1})	8 500(min^{-1})	6 600(min^{-1})	6 600(min^{-1})
Bendras ilgis	432 mm	455 mm	432 mm	455 mm
Neto svoris	4,5 kg	4,6 kg	4,7 kg	4,8 kg
Saugos klasė	II/II			

• Atliekame nepertraukiamus tyrimus ir nuolat tobuliname savo gaminius, todėl čia pateikiamos specifikacijos gali būti keičiamos be įspėjimo.

• Įvairiose šalyse specifikacijos gali skirtis.

• Svoris pagal Europos elektrinių įrankių asociacijos nustatytą metodiką „EPTA -Procedure 01/2003“

Naudojimo paskirtis

Įrankis yra skirtas šlifuoti, šlifuoti šlifavimo popieriumi, metalui ir akmeniui pjauti nenaudojant vandens.

ENE048-1

Maitinimo šaltinis

Šį įrankį reikia jungti tik prie tokio maitinimo šaltinio, kurio įtampa atitinka nurodytąją įrankio duomenų plokštelėje; galima naudoti tik vienfazį kintamosios srovės maitinimo šaltinį. Jie yra dvigubai izoliuoti, todėl gali būti naudojami prijungus prie elektros lizdų be atžeminimo laido.

ENF002-2

galima manyti, kad nebus jokio neigiamo poveikio. Šiam įrankiui naudojamas elektros tinklo lizdas turi būti apsaugotas saugikliu arba apsauginiu grandinės nutraukikliu su lėto suveikimo charakteristika.

ENG905-1

Triukšmas

Tipiškas A svertinis triukšmo lygis nustatytas pagal EN60745:

Garso slėgio lygis (L_{pA}): 94 dB(A)

Garso galios lygis (L_{WA}): 105 dB(A)

Paklaida (K) : 3 dB(A)

Modeliui GA7050, GA9050

ENF100-1

Skirtas viešosioms skirstomoms žemos įtampos sistemoms tarp 220 V ir 250 V.

Elektrinių įrenginių įjungimas sukelia įtampos svyravimus. Šio įrenginio naudojimas nepalankiomis elektros tinklo sąlygomis gali daryti įtaką kitos įrangos darbui. Kai pilnutinė įėjimo varža yra lygi ar mažesnė negu 0,22 omų,

Dėvėkite ausų apsaugas

Vibracija

Vibracijos bendroji vertė (trijų ašių vektorinė suma) nustatyta pagal EN60745:

ENG900-1

Modelis GA7050,GA7050R

Darbinis režimas: paviršiaus šlifavimas
Vibracijos skleidimas ($a_{h,AG}$): $6,5 \text{ m/s}^2$
Paklaida (K): $1,5 \text{ m/s}^2$

Darbo režimas: šlifavimas, naudojant diską
Vibracijos emisija ($a_{h,DS}$): $4,0 \text{ m/s}^2$
Paklaida (K): $1,5 \text{ m/s}^2$

Modelis GA9050,GA9050R

Darbinis režimas: paviršiaus šlifavimas
Vibracijos skleidimas ($a_{h,AG}$): $5,5 \text{ m/s}^2$
Paklaida (K): $1,5 \text{ m/s}^2$

Darbo režimas: šlifavimas, naudojant diską
Vibracijos emisija ($a_{h,DS}$): $2,5 \text{ m/s}^2$
Paklaida (K): $1,5 \text{ m/s}^2$

ENG902-1

- Paskelbtasis vibracijos emisijos dydis nustatytas pagal standartinį testavimo metodą ir jį galima naudoti vienam įrankiui palyginti su kitu.
- Paskelbtasis vibracijos emisijos dydis taip pat gali būti naudojamas preliminariai įvertinti vibracijos poveikį.
- Paskelbtasis keliamos vibracijos dydis galioja naudojant šį elektrinį įrankį pagrindiniams, numatytiesiems darbams atlikti. Tačiau, jeigu įrankis naudojamas kitiems darbams atlikti, keliamos vibracijos dydis gali būti kitoks.

⚠️ ĮSPĖJIMAS:

- Faktiškai naudojant elektrinį įrankį, keliamos vibracijos dydis gali skirtis nuo paskelbtojo dydžio, priklausomai nuo būdų, kuriais yra naudojamas šis įrankis.
- Siekiant apsaugoti operatorių, būtina įvertinkite saugos priemones, remdamiesi vibracijos poveikio įvertinimu esant faktinėms naudojimo sąlygoms (atsižvelgdami į visas darbo ciklo dalis, pavyzdžiui, ne tik kiek laiko įrankis veikia, bet ir kiek kartų jis yra išjungiamas bei kai jis veikia be apkrovų).

ENH101-15

Tik Europos šalims

ES atitikties deklaracija

Mes, „Makita Corporation“ bendrovė, būdami atsakingas gamintojas, pareiškiame, kad šis „Makita“ mechanizmas(-ai):

Mechanizmo paskirtis:

Kampinis šlifukoklas

Modelio Nr./ tipas: GA7050, GA7050R, GA9050, GA9050R

priklauso serijinei gamybai ir

atitinka šias Europos direktyvas:

2006/42/EC

ir yra pagamintas pagal šiuos standartus arba normatyvinius dokumentus:

EN60745

Techninę dokumentaciją saugo mūsų įgaliotasis atstovas Europoje, kuris yra:

Makita International Europe Ltd.
Michigan Drive, Tongwell,
Milton Keynes, Bucks MK15 8JD, England (Anglija)

26.6.2009



000230

Tomoyasu Kato
Direktorius
Makita Corporation
3-11-8, Sumiyoshi-cho,
Anjo, Aichi, 446-8502, JAPAN (Japonija)

GEA010-1

Bendrieji perspėjimai darbui su elektriniais įrankiais

⚠️ **ĮSPĖJIMAS** Perskaitykite visus saugos įspėjimus ir instrukcijas. Nesilaikydami žemiau pateiktų įspėjimų ir instrukcijų galite patirti elektros smūgį, gaisrą ir/arba sunkų sužeidimą.

Išsaugokite visus įspėjimus ir instrukcijas, kad galėtumėte jas peržiūrėti ateityje.

GEB033-4

SAUGOS ĮSPĖJIMAI DĖL ŠLIFUOTUVO NAUDOJIMO

Bendri saugos įspėjimai atliekant šlifavimo, šlifavimo šlifavimo popieriumi, šveitimo vieliniu šepėčiu ir abrazyvinio pjaustymo darbus:

1. Šis elektrinis įrankis skirtas naudoti kaip šlifavimo staklės, šlifuo tuvas šlifavimo popieriumi, vielinis šepetys ar pjaustymo įrankis. Skaitykite visus prie šio elektrinio įrankio pridėtus saugos įspėjimus, instrukcijas, iliustracijas ir techninius reikalavimus. Dėl žemiau pateiktų instrukcijų nesilaikymo gali kilti elektros smūgio, gaisro ir / arba sužeidimo pavojus.
2. Su šiuo elektriniu įrankiu nerekomenduojama atlikti tokių darbų kaip poliravimas. Jei elektrinis įrankis naudojamas ne pagal paskirtį, gali kilti pavojus ir galima susižeisti.
3. Nenaudokite priedų, kurie nėra specialiai sukurti ir rekomenduojami įrankio gamintojo. Vien dėl to, kad priedą įmanoma pritaisyti prie jūsų elektrinio įrankio, tai negali užtikrinti saugios eksploatacijos.
4. Nominalusis priedo greitis turi būti bent jau lygus maksimaliam greičiui, nurodytam ant elektrinio įrankio. Priedai, kurie veikia greičiau už nominalųjį greitį, gali sulūžti ir atsiskirti.

5. Jūsų priedo išorinis skersmuo bei storumas neturi viršyti jūsų elektrinio įrankio talpos duomenų. Neteisingai išmatuoti priedai negali būti pakankamai saugomi ir valdomi.
6. Diskų, jungių, atraminių padėklų ar kitų priedų dydis turi tiksliai atitikti elektrinio įrankio ašį dydį. Naudojami priedai, kurie turi įspraudines angas ir kurių dydis neatitinka elektrinio įrankio detalių, prie kurių jie montuojami, dydžio, išbalansuos įrankį, sukels itin didelę vibraciją bei įrankio valdymo praradimą.
7. **Nenaudokite pažeistų priedų. Kiekvieną kartą prieš naudodami įrankį patikrinkite jo priedus, pvz., ar šlifavimo diskai nenudaužyti ir nesutrūkę, ar nėra atraminių padėklų įtrūkių, plyšių ar jie ne per daug nusidėvėję, ar nėra iškritusių vielinio šepetio vielų ir ar jos nenulūžusios. Jei elektrinis įrankis ar jo priedas buvo numestas, patikrinkite, ar nėra pažeidimų arba naudokite nepažeistą priedą. Patikrinę ir sumontavę priedą patys būkite ir aplinkiniams nurodykite būti toliau nuo besisukančių priedų ir paleiskite įrankį veikti didžiausiu nulinės apkrovos greičiu 1 minutę. Paprastai sugadinti priedai tokio patikrinimo metu iškrenta.**
8. **Dėvėkite asmeninės apsaugos aprangą. Priklausomai nuo pritaikymo, naudokite apsauginį veido skydelį, tamsius arba apsauginius akinius. Kaip pridera, dėvėkite priešdulkinę puskaukę, klausos apsaugą, pirštines ir dirbtuvės prijuostę, sulaikančią smulkius abrazyvus ar ruošinio skeveldras.** Akių apsauga turi sulaikyti skriejančias nuolaužas, susidariusias įvairių operacijų metu. Priešdulkinė puskaukė arba respiratorius turi filtruoti dalelytes, susidariusias jums vykdant operacijas. Dėl intensyvaus ilgalaikio triukšmo galima prarasti klausą.
9. **Laikykitės stebinčiuosius toliau nuo darbo vietos. Kiekvienas, užeinantis į darbo vietą, turi dėvėti asmeninę apsaugos aprangą.** Ruošinio ar sulūžusio priedo skeveldros gali nuskrieti toliau ir sužeisti asmenis už tuo metu vykdomos operacijos zonos.
10. **Vykdydami operaciją, kurios metu pjovimo priedas gali susiliesti su laidais ar savo paties laidu, laikykitės elektrinį įrankį tik už izoliuotų, laikymui skirtų paviršių.** Pjovimo priedas, susiliesdamas su laidu, kuriuo teka elektros srovė, gali perduoti srovę elektrinio įrankio metalinėms detalėms ir nutrenkti operatorių.
11. **Saugiai atitraukite laidą nuo greitai besisukančio priedo.** Jei netektumėte savitvardos, galite perkirsti ar užkliudyti laidą, o jūsų plaštaką arba ranką gali įtraukti greitai besisukantis priedas.
12. **Niekada nepadėkite šio elektrinio įrankio, kol jo priedas nėra visiškai sustojęs.** Greitai besisukantis priedas gali užkabinti paviršių ir jūs galite nebesuvaldyti elektrinio įrankio.
13. **Nenaudokite elektrinio įrankio laikydami jį sau prie šono.** Greitai besisukantis priedas gali atsitiktinai užkabinti jūsų drabužius ir jus sužaloti.
14. **Reguliariai išvalykite elektrinio arankio oro ventiliacijos angas.** Variklio ventiliatorius traukia dulkes á korpuso vidų ir dėl per didelę metalo dulkių sankaupę gali kilti su elektros áranga susijęs pavojus.
15. **Nenaudokite elektrinio įrankio būdami netoliese degių medžiagų.** Nuo kibirkščių degiosios medžiagos gali užsidegti.
16. **Nenaudokite priedų, kuriems reikalingi skysti aušinimo skysčiai.** Naudojant vandenį ar kitą skystį gali ištikti mirtina elektros trauma ar elektros smūgis.

Atatrankos ir su ja susiję išpėjimai

Atatranka yra staigi reakcija į suspaustą arba sugriebtą besisukančią diską, atraminį padėklą, šepetį ar kitą priedą. Suspaudimas arba sugriebimas sukelia staigų besisukančio priedo sulaikymą, dėl kurio nevaldomas elektrinis įrankis sulaikymo taške verčiamas judėti priešinga priedo sukimosi kryptimi. Pavyzdžiui, jeigu šlifavimo diską suspaudžia ruošinys, disko kraštas, kuris patenka į suspaudimo tašką, gali atsibesti į medžiagos paviršių ir dėl to diskas atšoks. Diskas gali atšokti į operatorių arba nuo jo; tai priklauso nuo disko sukimosi krypties suspaudimo metu. Šlifavimo diskas tokiomis sąlygomis gali ir sulūpti. Atatranka yra piktnaudžiavimo elektriniu árankiu ir (arba) netinkamo darbo procedūrą ar sąlygų rezultatas, jos galima išvengti vadovaujantis toliau nurodytomis atsargumo priemonėmis.

- a) **Tvirtai laikykite elektrinį įrankį ir stovėkite taip, kad jūsų kūnas bei ranka netrukdėtų priešintis atatrankos jėgoms.** Visada naudokite papildomą rankeną, jei tokia yra, kad įjungimo metu galėtumėte maksimaliai valdyti atatranką ar sukamojo momento reakcijas. Operatorius gali valdyti sukamojo momento reakciją bei atatrankos jėgą, jei imasi atitinkamų atsargumo priemonių.
- b) **Niekada nelaikykite rankos šalia besisukančio priedo.** Priedas gali atsitrenkti į jūsų ranką.
- c) **Nebūkite toje zonoje, á kurią elektrinis árankis judės, jei atatranka ávyks.** Atatranka pastums áranká priešinga disko sukimosi kryptimi suspaudimo taške.
- d) **Ypatingai saugokitės apdirbdami kampus, ástrius kraštus ir t.t. Stenkitės priedo nesutrenkti ir neužkliudyti.** Besisukantis priedas gali užsikabinti ar atsitrenkti į kampus, ástrius kraštus ir sukelti atatranką, o dėl to galima nebesuvaldyti įrankio.

e) **Nenaudokite pjūklo grandinės su medį raizančiais ašmenimis ar dantytos pjūklo grandinės.** Tokie ašmenys gali sukelti dažnas atatrakas ir valdymo praradimą

Specialūs saugos įspėjimai atliekant šlifavimo ir abrazyvinio pjaustymo darbus:

a) **Naudokite tik tuos diskus, kurie rekomenduojami naudoti su jūsų elektriniu įrankiu, ir specialią tam diskui skirtą apsaugą.** Diskai, kurie netinka elektriniam įrankiui, negali būti tinkamai apsaugoti ir yra nesaugūs.

b) **Apsauga turi būti tinkamai pritvirtinta prie elektrinio įrankio ir didžiausio saugumo sumetimais uždėta, kad kuo mažesnė disko dalis galėtų paveikti operatorių.** Apsauga padeda apsaugoti operatorių nuo atsilikusių disko dalelių ir netyčinio kontakto su disku.

c) **Diskai turi būti naudojami tik pagal rekomenduojamą paskirtį. Pavyzdžiui, nešlifukokite su pjovimo disku.** Šlifuojantys pjovimo diskai yra skirti periferiniam šlifavimui, todėl šoninės jėgos, kurios veikia šiuos diskus, gali suskaldyti juos.

d) **Visada naudokite nepažeistas diskų junges, kurių dydis ir forma atitinka jūsų pasirinktus diskus.** Tinkamos disko jungės prilaiko diską, tokiu būdu sumažindamos disko lūžimo galimybę. Pjovimo diskams skirtos jungės gali skirtis nuo šlifavimo diskų jungių.

e) **Nenaudokite susidėvėjusių didesniems elektriniams įrankiams skirtų diskų.** Didesniems elektriniams įrankiams skirti diskai netinka naudoti mažesniuose didesniu greičiu veikiančiuose įrankiuose, jie gali sukilti.

Papildomi specialūs saugos įspėjimai atliekant abrazyvinio pjaustymo darbus:

a) **Nesukelkite pjovimo disko strigties ir nenaudokite per didelio spaudimo.** Nesistenkite padaryti itin gilaus pjūvio. Per didelis spaudimas padidina apkrovą ir disko pjūvyje persikreipimo ar užstrigimo tikimybę bei atatrakos ar disko lūpimo galimybę.

b) **Nebūkite besisukančio disko zonoje.** Kai diskas veikimo metu juda nuo jūsų kūno, galima atatranka gali pastumti besisukančią diską ir elektrinį įrankį tiesiai į jus.

c) **Kai diskas užstrigo arba kai pjovimas dėl kitų priežasčių nutraukiamas, išjunkite elektrinį įrankį ir nejudinkite jo, kol diskas visiškai nenustos sukstis.** Niekada nebandykite išimti pjovimo disko iš pjūvio, kai diskas sukasi, nes gali susidaryti atatranka. Išstirkite ir imkitės tinkamų veiksmų, kad pašalintumėte disko užstrigimo priežastį.

d) **Nepradėkite iš naujo pjauti, kai diskas ruošinyje. Leiskite, kad diskas pasiektų visą greitį ir tik tada atsargiai įleiskite jį į pjūvį.** Diskas gali įstrigti, iššokti arba atšokti, jeigu

elektrinis įrankis bus iš naujo paleistas diskui esant ruošinyje.

e) **Plokštes ar kitus per didelio dydžio ruošinius paremkite ir taip sumažinkite pavojų, kad diskas bus suspaustas ir atšoks.** Dideli ruošiniai linksta dėl savo pačių svorio. Atramas reikia dėti po ruošiniu netoli pjovimo linijos ir greta ruošinio braunos iš abiejų disko pusių.

f) **Būkite ypač atsargūs, kai darote „kišeninį“ pjūvą sienose ar kituose akliniuose plotuose.** Išsikišantis diskas gali perpjauti dujų ar vandens vamzdžius, elektros laidus ar objektus, kurie gali sukelti atatraką.

Specialūs saugos įspėjimai atliekant šlifavimo darbus šlifavimo popieriumi:

a) **Nenaudokite itin didelio dydžio šlifavimo disko popieriaus. Laikykitės gamintojo rekomendacijų, kai renkatės šlifavimo popierių.** Didesnis šlifavimo popierius, kuris išsikiša už šlifavimo padėklo ribų, gali sukelti įplėšimo pavojų, dėl to gali lūžti diskas arba įvykti atatranka.

Specialūs saugos įspėjimai dirbant su vieliniu špečiu:

a) **Įsidėmėkite, kad vielos šereliai krenta iš špečio netgi įprasto naudojimo metu. Nespauskite per daug šerelių, naudodami didelę jėgą špečiui.** Vieliniai šereliai gali lengvai pradurti ploną drabužį ir / arba odą.

b) **Jeigu rekomenduojama naudoti špečio apsaugą, neleiskite, kad vielinis diskas ar šepetys būtų naudojami be apsaugos.** Vielinio disko ar špečio skersmuo dėl darbinio krūvio ir išcentrinųjų jėgų poveikio gali padidėti.

Papildomi saugos perspėjimai:

17. **Naudodami nuspaustus centrinius šlifavimo diskus, būtinai naudokite tik stiklo pluoštu sustiprintus diskus.**
18. **Su šiuo šlifukliu NIEKADA NENAUDOKITE taurelės formos akmeninio šlifavimo disko.** Šis šlifuklis nėra skirtas naudoti su šio tipo diskais, todėl naudojant tokį gaminį galima sunkiai susižeisti.
19. **Nepažeiskite veleno, jungės (ypač montavimo paviršiaus) ir fiksavimo galvutės. Dėl šių dalių pažeidimų gali lūžti diskas.**
20. **Prieš įjungdami jungiklį patikrinkite, ar diskas nesiliečia su ruošiniu.**
21. **Prieš naudodami įrankį darbui su tikru ruošiniu, kurį laiką įrankį palaikykite įjungtą. Stebėkite, ar nėra vibracijos ar klibėjimo, rodančio blogą surinkimą ar blogai subalansuotą diską.**
22. **Šlifavimui naudokite nurodyto paviršiaus diską.**
23. **Saugokitės kibirkščių. Laikykite įrankį taip, kad kibirkštys skristų toliau nuo jūsų ir kitų žmonių arba degių medžiagų.**

24. Nepalikite veikiančio įrankio. Naudokite įrankį tik laikydami rankomis.
25. Nelieskite ruošinio iškart po naudojimo; jis gali būti itin karštas ir nudeginti odą.
26. Prieš ką nors darydami su įrankiu, visada patikrinkite, ar jis išjungtas, o laido kištukas - ištrauktas iš elektros lizdo, ir ar akumulatorius išimtas.
27. Laikykites gamintojo nurodymų apie teisingą diskų uždėjimą ir naudojimą. Su diskais elkitės ir juos laikykite rūpestingai.
28. Nenaudokite atskirų mažinimo įvorių arba adapterių, skirtų didelių skylių abrazyviniams diskams uždėti.
29. Naudokite tik šiam įrankiui nurodytas junges.
30. Jei naudojate įrankius, kuriems skirti diskai su sriegiu, įsitikinkite, kad sriegis diske yra pakankamai ilgas, kad tiktų veleno ilgis.
31. Patikrinkite, ar ruošinys yra tinkamai palaikomas.
32. Atkreipkite dėmesį, kad išjungus įrankį diskas toliau sukasi.
33. Jei darbo vieta yra ypač karšta ir drėgna, arba labai užteršta laidžiomis dulkelėmis, naudokite užtrumpinimo pertraukiklį (30 mA), kad užtikrintumėte naudojimo saugumą.
34. Nenaudokite įrankio su bet kokiomis medžiagomis, kuriose yra asbesto.
35. Nenaudokite vandens ar šlifavimo lubrikanto.
36. Užtikrinkite, kad ventiliacijos angos yra švarios, kai dirbate dulkelėmis sąlygomis. Jei pririnkę išvalyti dulkes, pirmiausia atjunkite įrankį nuo elektros tinklo (naudokite nemetalinius daiktus) ir venkite pažeisti vidines dalis.
37. Kai naudojate pjovimo diską, visuomet dirbkite su dulkes renkančia disko apsauga, kurios reikalauja vietinės taisyklės.
38. Pjovimo diskų negalima spausti iš šonų.

SAUGOKITE ŠIAS INSTRUKCIJAS.

⚠️ ĮSPĖJIMAS:

NELEISKITE, kad patogumas ir gaminio pažinimas (įgyjamas pakartotinai naudojant) susilpnintų griežtą saugos taisyklių, taikytinų šiam gaminiui, laikymąsi. Dėl NETINKAMO NAUDOJIMO arba saugos taisyklių nesilaikymo, kurios pateiktos šioje instrukcijoje galima rimtai susižeisti.

VEIKIMO APRAŠYMAS

⚠️ DĖMESIO:

- Prieš reguliuodami įrenginį arba tikrindami jo veikimą visada patikrinkite, ar įrenginys išjungtas, o laido kištukas - ištrauktas iš elektros lizdo.

Ašies fiksatorius

⚠️ DĖMESIO:

- Niekada nejunkite ašies fiksatoriaus, kai velenas juda. Tokiu būdu galima sugadinti įrankį.

Pav.1

Paspauskite ašies fiksatorių, kad velenas nesisuktų, kai dedate ar nuimate priedus.

Jungiklio veikimas

⚠️ DĖMESIO:

- Prieš jungdami įrenginį visada patikrinkite, ar jungiklis gerai įsijungia, o atleistas grįžta į padėtį OFF (išjungta).
- Kai įrankis naudojamas ilgą laiko tarpą, operatoriaus patogumui jungiklį galima užfiksuoti „ON“ (įjungta) padėtyje. Būkite atsargūs, užfiksuodami įrankį „ON“ padėtyje ir tvirtai laikykite įrankio rankeną.

Pav.2

Įrankiu su fiksuojamu jungikliu

Norėdami įjungti įrankį, tiesiog paspauskite gaiduką (B kryptimi). Norėdami sustabdyti, atleiskite gaiduką. Norėdami dirbti be sustojimo, patraukite gaidyką (B kryptimi) ir pastumkite fiksavimo svirtį (A kryptimi). Įrankiui sustabdyti iš fiksuotos padėties, paspauskite gaiduką iki galo (B kryptimi), po to atleiskite jį.

Įrankiui su fiksuotai išjungtu jungikliu

Fiksavimo svirtelė yra skirta gaiduko apsaugai nuo atsitiktinių paspaudimų.

Jei norite įjungti įrankį, stumkite fiksavimo svirtelę (A kryptimi), po to patraukite gaiduką (B kryptimi). Norėdami sustabdyti, atleiskite gaiduką.

Įrankiu su fiksuojamu įjungimu ar išjungimu

Fiksavimo svirtelė yra skirta gaiduko apsaugai nuo atsitiktinių paspaudimų.

Jei norite įjungti įrankį, įspauskite fiksavimo svirtį (A kryptimi) ir tada patraukite gaiduką (B kryptimi). Norėdami sustabdyti, atleiskite gaiduką.

Kad įrenginys neišsijungtų, pastumkite fiksavimo svirtį (A kryptimi), patraukite gaiduką (B kryptimi), po to pastumkite fiksavimo svirtį (C kryptimi).

Jeigu norite, kad įrankio gaidukas nebūtų užfiksuotas, paspauskite jį iki galo (B kryptimi) ir atleiskite.

Kontrolinė lemputė (modeliui GA7050R/GA9050R)

Pav.3

Įjungus įrankį, užsidega žalia įjungimo indikacinė lemputė. Jei indikacinė lemputė neužsidega, gali būti nutrūkęs maitinimo laidas arba perdegusi indikacinė lemputė. Indikacinė lemputė dega, tačiau įrankis

neįsijungia net ir paspaudus įjungimo mygtuką; gali būti susidėvėję angliniai šepetėliai, perdegusi indikacinė lemputė, sugedęs variklis arba neveikia „ON/OFF“ (įjungimo/išjungimo) jungiklis.

Netyčinio pakartotinio paleidimo patikrinimas

Net ir fiksavimo svirtelėi laikant gaiduką nuspaustą (užrakinimo pozicija), neleidžiama pakartotinai paleisti įrenginio netgi, net jei jis yra įjungtas.

Tuo metu indikacinė lemputė mirksi raudonai ir rodo, kad veikia netyčinio pakartotinio paleidimo patikrinimo įtaisas.

Norėdami atšaukti netyčinio pakartotinio paleidimo patikrinimą, iki galo paspauskite gaiduką ir tada jį atleiskite.

Tolygaus įjungimo funkcija

Įjungus, šie modeliai iš pradžių veikia lėtai. Ši švelnaus paleidimo funkcija užtikrina sklandesnį darbą.

SURINKIMAS

⚠ DĖMESIO:

- Prieš taisydami įrenginį visada patikrinkite, ar jis išjungtas, o laido kištukas - ištrauktas iš elektros lizdo.

Šoninės rankenos montavimas

⚠ DĖMESIO:

- Prieš naudodami visuomet įsitikinkite, kad šoninė rankena yra patikimai uždėta.

Pav.4

Prisukite šoninę rankeną patikimai jos vietoje, kaip parodyta paveikslėlyje.

Apsauginio gaubto uždėjimas arba nuėmimas (diskui su įgaubtu centru, universaliam diskui, vieliniam, disko formos šepetėliui/šlifuojamajam pjovimo diskui, deimantiniam diskui)

⚠ ĮSPĖJIMAS:

- Kai naudojate šlifavimo diską su įgaubtu centru/universalų diską, lankstųjį diską arba vielinį šepetėlį, apsauginis disko gaubtas turi būti uždėtas ant įrankio taip, kad uždaras apsauginio gaubto šonas visuomet būtų atsuktas į operatorių.
- Naudodami šlifuojamąjį pjovimo/deimantinį diską, būtinai naudokite tik specialų apsauginį gaubtą, skirtą naudoti su pjovimo diskais. (Europos šalyse naudojant deimantinį diską, galima naudoti įprastą apsauginį gaubtą.)

Įrankiui su fiksuojamo varžto tipo disko apsauga

Pav.5

Uždėkite disko saugiklį su išsikišimu ant rato apsauginės juostos, kad būtų sulygiuotas su įdubimu ties guoliais. Tuomet pasukite disko saugiklį apie 180 laipsnių prieš laikrodžio rodyklę. Būtinai patikimai priveržkite varžtą.

Jei norite išimti disko saugiklį, laikykitės montavimo procedūros atvirkščia tvarka.

Įrankiui su suveržimo svirties tipo disko apsauga

Pav.6

Pav.7

Atlaisvinkite svirtelę, esančią ant disko apsaugos. Uždėkite disko apsaugą ant disko apsauginės juostos, kad jos išsikišimas būtų ties įranta, esančia ant guolių dėžės. Tuomet pasukite disko apsaugą į paveikslėlyje parodytą padėtį. Užveržkite svirtelę, kad užtvirtintumėte disko apsaugą. Jeigu svirtelė yra per daug arba per mažai užveržta, kad galėtų užtvirtinti disko apsaugą, atlaisvinkite arba priveržkite veržlę, kad pareguliuotumėte disko apsauginės juostos užveržimą. Jei norite išimti disko saugiklį, laikykitės montavimo procedūros atvirkščia tvarka.

Šlifavimo disko / Multi disko (priedas) uždėjimas ir nuėmimas

⚠ ĮSPĖJIMAS:

- Visuomet naudokite pateiktą saugiklį, kai nuspausto centrinio šlifavimo diskas / Multi diskas yra uždėtas ant įrankio. Naudojimo metu diskas gali subyrėti, o saugiklis padeda apsisaugoti.

Pav.8

Uždėkite vidinį kraštą ant veleno. Uždėkite diską ant vidinio krašto ir prisukite fiksatoriaus galvutę ant veleno.

⚠ ĮSPĖJIMAS:

- Niekada nenaudokite storesnio negu 6,5 mm šlifavimo disko.

Super jungė

Modeliuose su raide F standartiškai sumontuotas papildomas flanšas. Fiksavimo veržlei atsukti tereikia tik 1/3 pastangų, palyginus su pastangomis, kurių paprastai reikia įprastai veržlei atsukti.

Australijai ir Naujajai Zelandijai

Pav.9

Uždėkite vidinį kraštą ant veleno. Uždėkite diską ant vidinio krašto ir prisukite fiksatoriaus galvutę su jo išsikišimu žemyn (atsuktą į diską).

Jei norite priveržti fiksavimo galvutę, stipriai paspauskite ašies fiksatorių taip, kad velenas negalėtų sukis, tada pasinaudokite fiksavimo galvutės raktu ir patikimai priveržkite pagal laikrodžio rodyklę.

Pav.10

Jei norite nuimti diską, laikykitės uždėjimo procedūros atvirkščia tvarka.

Šlifavimo disko (pasirenkamo priedo) uždėjimas arba nuėmimas

PASTABA:

- Naudokite šiame vadove išvardintus papildomus šlifavimo priedus. Juos reikia įsigyti atskirai.

Pav.11

Uždėkite ant ašies guminį padą. Uždėkite šlifuojamąjį diską ant guminio pado ir prisukite fiksatoriaus veržlę ant veleno. Jei norite priveržti fiksavimo galvutę, stipriai paspauskite ašies fiksatorių taip, kad velenas negalėtų sukis, tada pasinaudokite fiksavimo galvutės raktu ir patikimai priveržkite pagal laikrodžio rodyklę. Jei norite nuimti diską, laikykitės uždėjimo procedūros atvirkščia tvarka.

Įtaiso „Ezynut“ (pasirenkamo priedao) uždėjimas arba nuėmimas

⚠DĖMESIO:

- Nenaudokite įtaiso „Ezynut“ su papildoma jungė arba kampiniu šlifuoekliu, kurio modelio numerio gale yra raidė „F“. Šios jungės yra tokios storos, kad jų neįmanoma iki galo užsriegti ant veleno.

Pav.12

Uždėkite vidinę jungę, šlifavimo diską/universalų diską ir veržlę Ezynut ant veleno taip, kad ant įtaiso „Ezynut“ esantis logotipas „Makita“ būtų nukreiptas išorėn.

Pav.13

Tvirtai suspauskite veleno fiksatorių ir priveržkite įtaisa „Ezynut“, sukdami šlifavimo diską/universalų diską pagal laikrodžio rodyklę tiek, kiek jis sukasi. Norėdami atlaisvinti, sukite išorinį įtaiso „Ezynut“ žiedą prieš laikrodžio rodyklę.

Pav.14

Pav.15

PASTABA:

- Jeigu tik rodyklė nukreipta įrantos link, įtaisa „Ezynut“ galima atsukti rankomis. Kitais atvejais, norint jį atsukti, reikia veržliarakčio. Įkiškite vieną veržliarakčio smaigą į angą ir sukite įtaisa „Ezynut“ prieš laikrodžio rodyklę.

NAUDOJIMAS

⚠ĮSPĖJIMAS:

- Dirbant su įrankiu niekada nereikėtų naudoti jėgos. Įrankio svoris sukelia pakankamą spaudimą. Jėgos naudojimas ir per didelis spaudimas kelia pavojingo disko lūžimo pavojų.
- VISUOMET pakeiskite diską, jei įrankis iškrito šlifavimo metu.
- NIEKADA nedaužykite šlifavimo disko į ruošinį.
- Venkite disko atšokimų ir užkliuvimų, ypač kai apdorojate kampus, aštirus kraštus ir .t. t. Dėl to galima nesuvaldyti įrankio ir jis gali atšokti.
- NIEKADA nenaudokite įrankio su medžio pjovimo ašmenimis ir kitais pjūklais. Tokie ašmenys naudojant su šlifuoekliu dažnai atšoka, dėl to nesuvaldomas įrankis ir galima susižeisti.

⚠DĖMESIO:

- NIEKADA nejunkite įrankio, kai jis liečiasi su ruošiniu, - įrankio naudotojas gali susižeisti.
- Dirbdami visuomet dėvėkite apsauginius akinius arba veido skydelį.
- Panaudoję įrankį visuomet jį išjunkite ir prieš padėdami įrankį palaukite, kol diskas visiškai sustos.

Šlifavimas ir šlifavimas švitrinu popieriumi

Pav.16

VISUOMET tvirtai laikykite įrankį viena ranka ant galinės rankenos ir kita ant šoninės rankenos. Įjunkite įrankį ir tada disku apdirbkite ruošinį.

Apskritai, laikykite disko kraštą apie 15 laipsnių kampą į ruošinio paviršių.

Naujo disko apšilimo laikotarpiu nedirbkite šlifuotuvu kryptimi B arba jis įpjaus ruošinį. Kai disko kraštas suapvalėja nuo naudojimo, disku galima dirbti abiem - A ir B - kryptimis.

Vielinio, taurelės formos šepetėlio (pasirenkamo priedo) naudojimas

⚠DĖMESIO:

- Patikrinkite, kaip veikia šepetėlis, paleidę įrankį veikti be apkrovų ir įsitikinę, kad niekas nestovi priešais arba vienoje linijoje su šepetėliu.
- Nenaudokite apgadinto arba išbalansuoto šepetėlio. Naudojant apgadintą šepetėlį, galima susižeisti, prisilietus prie aplūžusių šepetėlio vielų.

Pav.17

Išjunkite įrankį iš maitinimo tinklo ir padėkite jį apverstai, kad lengvai pasiektumėte veleną. Nuimkite nuo veleno visus priedus. Uždėkite ant veleno vielinį, taurelės formos šepetėlį ir priveržkite jį pateiktuoju veržliarakčiu. Naudodami šepetėlį, pernelyg nespauskite, kad vielelės nesulinktų ir nesulūžtų pirma laiko.

Vielinio, disko formos šepetėlio (pasirenkamo priedo) naudojimas

⚠DĖMESIO:

- Patikrinkite, kaip veikia vielinis, disko formos šepetėlis, paleidę įrankį veikti be apkrovų ir įsitikinę, kad niekas nestovi priešais arba vienoje linijoje su vieliniu, disko formos šepetėliu.
- Nenaudokite apgadinto arba išbalansuoto vielinio, disko formos šepetėlio. Naudojant apgadintą vielinį, disko formos šepetėlį, galima susižeisti, prisilietus prie aplūžusių šepetėlio vielų.
- Naudodami vielinius, disko formos šepetėlius, VISADA naudokite apsauginį gaubtą, kuriame tilptų atitinkamo skersmens diskas. Naudojimo metu diskas gali subyrėti, o apsauginis gaubtas sumažina galimybę susižeisti.

Pav.18

Išjunkite įrankį iš maitinimo tinklo ir padėkite jį apvestai, kad galėtumėte lengvai pasiekti veleną. Nuimkite nuo veleno visus priedus. Užsukite vielinį, disko formos šepetėlį ant veleno ir priveržkite veržliarakčiais.

Naudodami vielinį, disko formos šepetėlį, pernelyg nespauskite, kad vielelės nesulinktų ir nesulūžtų pirma laiku.

Šlifujamojo pjovimo disko/deimantinio disko (pasirenkamo priedo) naudojimas

⚠️ĮSPĖJIMAS:

- Naudodami šlifujamąjį pjovimo/deimantinį diską, būtinai naudokite tik specialų apsauginį gaubtą, skirtą naudoti su pjovimo diskais. (Europos šalyse naudojant deimantinį diską, galima naudoti įprastą apsauginį gaubtą.)
- NIEKADA nenaudokite pjovimo disko šonams šlifuoti.
- Neužstrigdykite disko ir per daug jo nespauskite. Nesistenkite padaryti itin gilaus pjūvio. Per didelis spaudimas padidina apkrovą disko pjūvyje, persikreipimo ar užstrigimo tikimybę bei atatrakos, disko lūžimo ir motoro perkaitimo galimybę.
- Nepradėkite pjauti ruošinyje. Leiskite, kad diskas pasiektų visą greitį, ir tik tada atsargiai įleiskite jį į pjūvį, stumdami jį pirmyn ruošinio paviršiuje. Diskas gali įstrigti, iššokti arba atšokti, jeigu elektrinis įrankis yra paleistas diskui esant ruošinyje.
- Pjaudami niekada nekeiskite disko kampo. Spaudžiant pjovimo diską iš šono (pvz., šlifuojant) diskas gali įtrūkti ar sulūžti, sukeldamas pavojų susižeisti.
- Deimantinį diską reikia naudoti tik nukreipus jį statmenai pjaunamai medžiagai.

Uždėkite vidinį kraštą ant veleno. Uždėkite diską ant vidinio krašto ir prisukite fiksatoriaus galvutę ant veleno.

Pav.19

Montuodami 7 mm arba storesnį deimantinį diską arba šlifujamąjį pjovimo diską, antveržlę dėkite taip, kad jos priekinė apvali dalis (iškyša) būtų nukreipta link vidinės disko angos.

Australijai ir Naujajai Zelandijai

Šlifujamojo pjovimo disko/deimantinio disko (pasirenkamo priedo) montavimas arba nuėmimas

Pav.20

TECHNINĖ PRIEŽIŪRA

⚠️DĖMESIO:

- Prieš apžiūrėdami ar taisydami įrenginį visada patikrinkite, ar jis išjungtas, o laido kištukas - ištrauktas iš elektros lizdo.
- Niekada nenaudokite gazolino, benzino, tirpiklio, spirito arba panašių medžiagų. Gali atsirasti išblukimų, deformacijų arba įtrūkimų.

Pav.21

Prižiūrėkite, kad įrankis ir jo oro angos būtų švarios. Reguliariai išvalykite įrankio oro angas arba kai angos pradeda kimštis.

Anglinių šepetėlių keitimas

Pav.22

Kai guminis izoliacinis galiukas anglinio šepetėlio viduje susiliečia su komutatoriumi, variklis yra automatiškai išjungiamas. Kai tai įvyksta, reikėtų pakeisti abu anglinius šepetėlius. Laikykite anglinius šepetėlius švarius ir laisvai įslenkančius į laikiklius. Abu angliniai šepetėliai turėtų būti keičiami tuo pačiu metu. Naudokite tik identiškus anglinius šepetėlius.

Jei norite nuimti šepetėlių laikiklių dangtelius, pasinaudokite atsuktuvu. Išimkite sudėvėtus anglinius šepetėlius, įdėkite naujus ir įtvirtinkite šepetėlį laikiklio dangtelį.

Pav.23

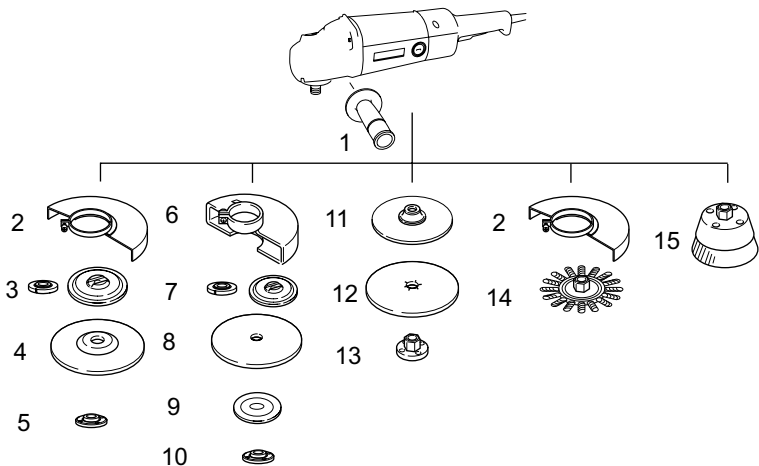
Kad gaminyje būtų SAUGUS ir PATIKIMAS, jį taisyti, apžiūrėti ar vykdyti bet kokią kitą priežiūrą ar derinimą turi įgaliojasis kompanijos „Makita“ techninės priežiūros centras; reikia naudoti tik kompanijos „Makita“ pagamintas atsargines dalis.

PRIEDAI

⚠️DĖMESIO:

- Su šiaime vadove aprašytu įrenginiu „Makita“ rekomenduojama naudoti tik nurodytus priedus ir papildomus įtaisus. Jeigu bus naudojami kitokie priedai ar papildomi įtaisai, gali būti sužaloti žmonės. Priedus arba papildomus įtaisus naudokite tik pagal paskirtį.

Jeigu norite daugiau sužinoti apie tuos priedus, kreipkitės į artimiausią „Makita“ techninės priežiūros centrą.



1	Šoninė rankena
2	Apsauginis gaubtas galandimo diskui su įgaubtu centru/universaliam diskui/vieliniam, disko formos šepetėliui
3	Vidinė jungė / papildoma jungė / vidinė jungė 102 (tik Australijai ir Naujajai Zelandijai)
4	Nuspaustas centrinis šlifavimo diskas / Multi diskas
5	Antveržlė/įtaisas „Ezynut“*1
6	Apsauginis gaubtas šlifuojančiam pjovimo diskui / deimantiniam diskui*2
7	Vidinė jungė/papildoma jungė/vidinė jungė 78 (tik Australijai ir Naujajai Zelandijai)
8	Šlifuojamasis pjovimo diskas/deimantinis diskas
9	Išorinė jungė 78 (tik Australijai ir Naujajai Zelandijai)*3
10	Antveržlė/įtaisas „Ezynut“*1
11	Guminis padas
12	Šlifavimo diskas
13	Šlifavimo antveržlė
14	Vielinis, disko formos šepetėlis
15	Vielinis, taurelės formos šepetėlis
—	Fiksavimo galvutės raktas
—	Papildoma apsauginio gaubto nuo dulkių dalis

*1 Nenaudokite papildomos jungės ir veržlės Ezynut kartu.

*2 Europos šalyse naudojant deimantinį diską, vietoje specialaus apsauginio gaubto, dengiančio abu disko kraštus, galima naudoti įprastą apsauginį gaubtą.

*3 Vidinė jungė 78 ir išorinė jungė 78 naudokite kartu. (Tik Australijai ir Naujajai Zelandijai)

EESTI (algsed juhised)

Üldvaate selgitus

1-1. Võllilukk	9-1. Fiksaatormutter	19-1. Fiksaatormutter
2-1. Lüliiti päästik	9-2. Lohkus keskosaga ketas	19-2. Lihvketas/teemantketas
2-2. Lukustushoob	9-3. Sisemine flanš	19-3. Sisemine flanš
3-1. Märgutuli	10-1. Fiksaatormutri võti	19-4. Lihvketta/teemantketta kettakaitse
5-1. Kettapiire	10-2. Võllilukk	20-1. Fiksaatormutter
5-2. Kruvi	11-1. Fiksaatormutter	20-2. Välimine flanš 78
5-3. Laagriümbris	11-2. Lihvketas	20-3. Lihvketas/teemantketas
6-1. Kettapiire	11-3. Kummist tugiketas	20-4. Sisemine flanš 78
6-2. Laagriümbris	12-1. Ezynut	20-5. Lihvketta/teemantketta kettakaitse
6-3. Mutter	12-2. Lihvketas/multiketas	21-1. Väljalaskeventiil
6-4. Hoob	12-3. Sisemine flanš	21-2. Sissetõmbeventiil
7-1. Mutter	12-4. Võll	22-1. Kommutaator
7-2. Hoob	13-1. Võllilukk	22-2. Isoleerotsak
8-1. Fiksaatormutter	14-1. Nool	22-3. Süsihari
8-2. Lohkus keskosaga ketas	14-2. Salk	23-1. Harjahoidiku kate
8-3. Sisemine flanš	17-1. Traatidega kausshari	23-2. Kruvikeeraja
8-4. Superflanš	18-1. Ketastraathari	

TEHNILISED ANDMED

Mudel	GA7050	GA7050R	GA9050	GA9050R
Lohkus keskosaga ketta diameeter	180 mm	180 mm	230 mm	230 mm
Võlli keermestus	M14	M14	M14	M14
Koormuseta kiirus (n_0) / normkiirus (n)	8 500(min^{-1})	8 500(min^{-1})	6 600(min^{-1})	6 600(min^{-1})
Kogupikkus	432 mm	455 mm	432 mm	455 mm
Netomass	4,5 kg	4,6 kg	4,7 kg	4,8 kg
Kaitseklass	IP / II			

- Meie jätkuva teadus- ja arendustegevuse programmi tõttu võidakse siin antud tehnilisi andmeid muuta ilma ette teatamata.
- Tehnilised andmed võivad olla riigiti erinevad.
- Kaal vastavalt EPTA protseduurile 01/2003

ENE048-1

Kasutuse sihtotstarve

Tööriist on ette nähtud metallide ja kivimaterjali veeta käiamiseks, lihvimiseks ja lõikamiseks.

ENF002-2

Toiteallikas

Seadet võib ühendada ainult andmesildil näidatud pingele vastava pingega toiteallikaga ning seda saab kasutada ainult ühefaasilisel vahelduvvoolutoitel. Seadmel on kahekordne isolatsioon ning seega võib seda kasutada ka ilma maandusjuhtmeta pistikupessa ühendatult.

Mudelile GA7050, GA9050

ENF100-1

Üldise madalpinge süsteemide 220V ja 250V kohta.

Elektriaparatuuri lülitustoimingud põhjustavad voolu kõikumisi. Käesoleva seadme tööl ebasobivas vooluvõrgus võivad olla kahjustavad mõjud teiste seadmete tööle. Kui toiteliini näivtakistus on võrdne või väiksem kui 0,22 oomi, võib oletada, et negatiivsed mõjud puuduvad. Käesoleva seadme juures kasutatud toiteliini pesa on kaitstud kaitsme või aeglaselt

rakenduva kaitsetülitiga.

ENG905-1

Müra

Tüüpiline A-korrigeeritud müratase vastavalt EN60745:

Helirõhu tase (L_{pA}) : 94 dB(A)
Helisurve tase (L_{WA}) : 105 dB(A)
Määramatus (K) : 3 dB(A)

Kandke kõrvakaitsmeid

ENG900-1

Vibratsioon

Vibratsiooni koguväärtus (kolmeteljeliste vektorite summa) määratud vastavalt EN60745:

Mudel GA7050, GA7050R

Töörežiim: pinna lihvimine
Vibratsiooni emissioon ($a_{h,AG}$): 6,5 m/s^2
Määramatus (K): 1,5 m/s^2

Töörežiim: ketaslihvimine
Vibratsioonitase ($a_{h,DS}$): 4,0 m/s^2
Määramatus (K): 1,5 m/s^2

Mudel GA9050,GA9050R

Töörežiim: pinna lihvimine
Vibratsiooni emissioon ($a_{h,AG}$): 5,5 m/s²
Määramatus (K): 1,5 m/s²

Töörežiim: ketaslihvimine
Vibratsioonitase ($a_{h,DS}$): 2,5 m/s²
Määramatus (K): 1,5 m/s²

ENG902-1

- Deklareeritud vibratsiooniemissiooni väärtus on mõõdetud kooskõlas standardse testimismeetodiga ning seda võib kasutada ühe seadme võrdlemiseks teisega.
- Deklareeritud vibratsiooniemissiooni väärtust võib kasutada ka mürataseme esmaseks hindamiseks.
- Deklareeritud vibratsiooni emissiooni väärtust kasutatakse lähtuvalt elektritööriista peamisest otstarbest. Kui tööriista kasutatakse muul otstarbel, võib vibratsiooni emissiooni väärtus olla erinev.

△HOIATUS:

- Vibratsioonitase võib elektritööriista tegelikkuses kasutamise ajal erineda deklareeritud väärtusest sõltuvalt tööriista kasutamise viisidest.
- Rakendage kindlasti operaatori kaitsmiseks piisavaid ohutusabinõusid, mis põhinevad hinnangulisel müratasemel tegelikus töösituatsioonis (võttes arvesse tööperioodi kõik osad nagu näiteks korrad, mil seade lülitatakse välja ja mil seade töötab tühikäigul, lisaks tööajale).

ENH101-15

Ainult Euroopa riigid

EÜ vastavusdeklaratsioon

Makita korporatsiooni vastutava tootjana kinnitame, et alljärgnev(ad) Makita masin(ad):

masina tähistus:

Nurklihvkäi

model nr./tüüp: GA7050, GA7050R, GA9050, GA9050R

on seeriatoodang ja

vastavad alljärgnevatele Euroopa Parlamendi ja nõukogu direktiividele:

2006/42/EC

ning on toodetud vastavalt alljärgnevatele standarditele või standardiseeritud dokumentidele:

EN60745

Tehnilist dokumentatsiooni hoitakse meie volitatud esindaja käes Euroopas, kelleks on:

Makita International Europe Ltd.

Michigan Drive, Tongwell,

Milton Keynes, Bucks MK15 8JD, Inglismaa

26.6.2009



Tomoyasu Kato

000230

Direktor
Makita Corporation
3-11-8, Sumiyoshi-cho,
Anjo, Aichi, 446-8502, JAPAN

GEA010-1

Üldised elektritööriistade ohutushoiatused

△ **HOIATUS** Lugege läbi kõik ohutushoiatused ja juhised. Hoiatuste ja juhiste mittejärgmine võib põhjustada elektrišokki, tulekahju ja/või tõsiseid vigastusi.

Hoidke alles kõik hoiatused ja juhised edaspidisteks viideteks.

GEB033-4

LIHVIJA OHUTUSNÕUDED

Turvahoiatused Tavalised turvahoiatused lihvimiseks, poleerimiseks, terasharjamiseks või abrasiivseteks löikeoperatsioonideks.

1. **See elektritööriist on mõeldud lihvimisseadme, poleerimisseadme, terasharja või lõiketööriistana kasutamiseks. Lugege kõiki turvahoiatusi, juhiseid, illustratsioone ja spetsifikatsioone, mis selle elektritööriistaga kaasas on.** Kõikidest allpool loetletud juhistest mitte kinnipidamine võib põhjustada elektrišoki, tulekahju ja/või tõsiseid vigastusi.
2. **Selle elektritööriistaga ei soovitata poleerida.** Tööd, mille jaoks elektritööriist ei ole tehtud, võivad olla ohtlikud ja põhjustada vigastusi.
3. **Ärge kasutage tarvikuid, mis pole tootja poolt selle tööriista jaoks spetsiaalselt välja töötatud.** Tarviku elektritööriistale kinnitamise võimalus ei taga veel selle ohutut tööd.
4. **Tarviku nimikiirus peab olema vähemalt võrdne elektritööriistale märgitud maksimaalse kiirusega.** Tarvikud, mis töötavad nimikiirusest suuremal kiirusel, võivad katki minna ja laiali lennata.
5. **Tarviku välisdiameeter ja paksus peavad vastama elektritööriista nimivõimsusele.** Ebasobiva suurusega tarvikuid ei saa nõuetekohaselt kaitsta ega juhtida.
6. **Lihvketaste, äärikute, tugiketaste või kõigi muude lisatarvikute võllisuurus peaks õigesti sobituma elektritööriista spindliga.** Lisatarvikud, mille võllis on augud, mis ei sobitu elektritööriista paigaldustarkvaraga, kaotavad tasakaalu, vibreerivad liigselt ja nende juhitevõime võib kaduda.
7. **Ärge kasutage vigast lisatarvikut.** Enne iga kasutust kontrollige, et lihvketastel ei oleks laaste ega mõrasid, et tugiketastel ei oleks mõrasid, rebendeid ega liigset kulumust, et terasharjade harjased ei oleks lahtised ega purunenud. Kui elektritööriist või lisatarvik

kukub maha, kontrollige, et see ei oleks kahjustunud, või paigaldage kahjustusteta lisatarvik. Pärast lisatarviku kontrolli ja paigaldust minge koos kõrvalseisjatega pöörlevast lisatarvikust eemale ja kaitage elektritööriista maksimaalsel koormusvabal kiirusel üheks minutiks. Kahjustatud lisatarvikud lähevad tavaliselt selle testi ajal katki.

8. **Kandke isiklikku kaitsevarustust. Sõltuvalt tööst kandke näokatet või kaitseprille. Vajadusel kandke tolumumaski, kõvaklappe, kindaid ja põlle, mis suudab kaitsta väikeste abrasiivosakeste või töödeldava detaili kildude eest.** Silmakaitse peab pakkuma kaitset lendava prügi eest, mis erinevate töödega kaasneb. Tolumumask või respiraator peab filtreerima töö käigus eralduvaid materjaliosakesi. Pikaajaline kokkupuude müraga võib põhjustada kuulmiskadu.
9. **Hoidke kõrvalseisjad tööalast turvalises kauguses. Kõik, kes sisenevad tööalasse, peavad kandma kaitsevarustust.** Töödeldava detaili või tarvikute osakesed võivad eemale lennata ja põhjustada vigastusi ka väljaspool vahetatud tööala.
10. **Hoidke elektrilistööriista töötamise ajal isoleeritud käepidemest, kui löikeetera võib kokku puutuda peidetud juhtmete või seadme kaabliga.** Löikeseadme kokkupuude voolu all oleva juhtmega pingestab tööriista katmata metallosad, mille tulemusel võib operaator saada elektrilöögi.
11. **Hoidke juhe pöörlevast tarvikust eemal.** Kontrolli kaotamisel võib juhe katkeda või kinni jääda, tõmmates käe või käsivarre pöörlevasse tarvikusse.
12. **Ärge pange elektritööriista kunagi maha enne, kui tarviku liikumine pole täielikult peatunud.** Pöörlev tarvik võib pinnal liikumist jätkata, põhjustades elektritööriista väljumise teie kontrolli alt.
13. **Lülitage elektritööriist välja, kui seda oma küljel kannate.** Juhuslik kokkupuude pöörleva tarvikuga võib põhjustada riiete kinnijäämist ja tarviku teie kehasse tõmmata.
14. **Puhastage elektritööriista õhuavasid regulaarselt.** Mootori ventilaator tõmbab tolmu korpusesse ja metallitolmu liigne kogunemine võib põhjustada elektrihoitu.
15. **Ärge kasutage seadet tuleohtlike materjalide lähedal.** Need materjalid võivad sädemetest süttida.
16. **Ärge kasutage tarvikuid, mis nõuavad jahutusvedelikke.** Vee või teiste vedelate jahutusvahendite kasutamine võib põhjustada surmava elektrilöögi või -šoki.

Tagasilöökk ja sellega seotud hoiatused

Tagasilöökk on äkiline reaktsioon väändes või pörkuva pöördketta, tugiketta, harja või muu lisatarviku puhul. Väändumine või pörkumine põhjustab kiiret pöörleva lisatarviku vääratamist, mis omakorda sunnib ühenduspunkti juhitamatut elektritööriista pöörlema vastassuunas lisatarviku pöörlemise suunale.

Näiteks kui lihvketas pörkus või kiilus töödeldava detaili külge kinni, võib ketta serv, mis siseneb kinnikiilumise kohta, tungida materjalipinda, mis põhjustab ketta väljalikumise või väljalöögi. Ketas võib kas hüpata edasi või käitajast eemale, sõltuvalt ketta liikumissuunast kinnikiilumise kohas. Lihvketad võivad neis tingimustes samuti puruneda.

Tagasilöökk on tööriista väärkasutuse ja/või valede tööoperatsioonide või tingimuste tulemus, mida on võimalik vältida, järgides alljärgnevat asjakohaseid ettevaatusabinõusid.

a) **Hoidke elektritööriista kindlas haardes ja seadke oma keha ja käsivars asendisse, mis võimaldab tagasilöögiõlle vastu seista. Kasutage alati abikäepidet, kui see on olemas, et tööriista käivitamisel tagasilöögi ja pöördemomendi vastumõju üle kontrolli saavutada.** Asjakohaste ettevaatusabinõude rakendamisel saab operaator tagasilöögi ja pöördemomendi vastumõju kontrollida.

b) **Ärge pange kunagi oma kätt pöörleva tarviku lähedale.** Te võite tarvikult tagasilöögi saada.

c) **Ärge viibige alas, kus elektritööriist võib tagasilöögi ajal liikuda.** Tagasilöökk paneb tööriista pörkekohas ketta liikumissuunale vastupidises suunas liikuma.

d) **Tegutsuge äärmise ettevaatlikkusega nurkade, teravate servadega jms töötamisel. Vältige tarviku tagasipörkamist ja kinnijäämist.** Nurgad, teravad servad ja tagasipörkamine on tavaliselt nendeks teguriteks, mis võivad põhjustada pöörleva tarviku kinnijäämist ja kontrolli kaotamist või tagasilööki.

e) **Ärge kinnitage saeketi külge puunikerdustera ega hambulist saetera.** Sellised terad tekitavad sageli tagasilööki ja juhitavuse kadu.

Spetsiaalsed turvahoitused lihvimiseks ja abrasiivseteks löikeoperatsioonideks.

a) **Kasutage vaid kettatüüpe, mida teie elektritööriistale soovitatakse, ja valitud kettale mõeldud spetsiaalset piiret.** Kettaid, mille jaoks elektritööriist ei olnud mõeldud, ei saa piisavalt kaitsta ja need ei ole turvalised.

b) **Piire tuleb elektritööriista külge turvaliselt kinnitada ja asetada nii, et see on maksimaalselt turvaliselt, et käitaja suunas oleks kõige väiksem katmata kettapind.** Piire aitab käitajat purunenud kettatükkide ja kettaga juhuslikku kokkupuutesse sattumise eest kaitsta.

c) Kettaid tuleb kasutada ainult soovitud rakenduste jaoks. Näiteks: ärge lihvige lõikeketta küljega. Abrasiivsed lõikekettad on ette nähtud välislihvimiseks, neile ketastele rakendatud küljööud võib need purustada.

d) Kasutage alati kahjustamata kettaäärikuid, mis on õige suuruse ja kujuga teie valitud ketta jaoks. Õiged kettaäärikud toetavad ketast ja vähendavad seega ketta purunemisvõimalust. Lõikeketaste äärikud võivad lihvketaste äärikutest erineda.

e) Ärge kasutage suuremate elektritööriistade kulunud kettaid. Suurema elektritööriista jaoks tehtud ketas ei sobi väiksema tööriista suurema kiirusega ja võib lõhkeda.

Lisanduvad turvahoiatused abrasiivseteks lõikeoperatsioonideks.

a) Ärge „kiiluge” lõikeketast ega rakendage liigset survet. Ärge püüdke teha ülemäärase sügavusega lõiget. Ketta ülesurvestamine suurendab koormust ja ketta väände või ühenduse tundlikkust lõikes ning tagasilöögi võimalust või ketta purunemist.

b) Ärge minge oma kehaga pöörleva kettaga ühele joonele ega selle taha. Kui ketas liigub käituse ajal teie kehast eemale, võib tõenäoline tagasilöök pöördketast ja elektritööriista otse teie suunas liigutada.

c) Kui ketas on kinni pigistatud või segab mingil põhjusel lõikamist, lülitage elektritööriist välja ja hoidke seda liikumatult, kuni ketas peatub täielikult. Ärge kunagi püüdke eemaldada lõikeketast lõikest, kui ketas liigub, vastasel juhul võib esineda tagasilöök. Uurige ja tehke parandused ketta kinnikiilumise põhjuse eemaldamiseks.

d) Ärge taaskäivitage töödeldava detaili lõikeoperatsiooni. Laske kettal jõuda täiskiirusele ja sisenege uuesti hoolikalt lõikesse. Kui elektritööriist taaskäivitatakse töödeldavas detailis, võib ketas kinni kiiluda, üles liikuda või tagasi pörkuda.

e) Lõiketera kinnikiilumise ja tagasilöögi riski minimeerimiseks toestage paneelid või suuremõtmeline detail. Suured detailid hakkavad painduma omaenese raskuse all. Toed tuleb paigutada töödeldava detaili alla lõikejoone lähedale ja tooriku serva lähedale ketta mõlemal küljel.

f) Olge eriti ettevaatlik, kui teete „sukelduslõikamist” olemasolevates seintes või muudes varjatud piirkondades. Väljaulatav lõiketera võib lõikuda gaasi- või veetorusse, elektrijuhtmetesse või esemetesse, ning põhjustada tagasilöögi.

Poleerimistööde turvahoiatused.

a) Ärge kasutage liiga suurtes mõõtmetes lihvketta paberit. Lihvpaberi valikul järgige

tootjate soovitusi. Lihvklotsist kaugemale ulatuv suurem lihvpaper on rebenemisohtlik ja võib põhjustada ketta kinnijäämist, purunemist või tagasilööki.

Terasharjamise operatsioonide turvahoiatused.

a) Olge teadlikud, et hari viskab traatharjaseid ka tavakäituse ajal. Ärge avaldage terastraatidele liigset pinget harjale liigse koormuse rakendamisega. Terasharjased võivad lihtsalt kergesse rõivastusse ja/või nahka tungida.

b) Kui terasharjamisel soovitakse kasutada piiret, ärge laske teraskettal ega -harjal piirdega kokku puutuda. Terasketas või -hari võib laieneda läbimõeldult töökoormuse ja tsentrifugaaljõu tõttu.

Lisaturvahoiatused:

17. Kui kasutate nõgusa keskosaga lihvkettaid, veenduge, et kasutate ainult klaaskiuga tugevdatud kettaid.
18. ÄRGE KUNAGI kasutage selle lihvijaga koos kausslihvkettaid. Seda lihvijat ei kasutata koos nimetatud ketastega, sest need võivad põhjustada tõsise kehavigastuse.
19. Ärge vigastage võlli, äärikut (eriti selle paigalduspinda) ega fiksaatormutrit. Nende osade kahjustused võivad ketta purustada.
20. Veenduge, et lihvketas ei puutuks enne tööriista sisselülitamist vastu töödeldavat detaili.
21. Enne tööriista kasutamist töödeldaval detailil laske sellel mõnda aega töötada. Jälgige vibratsiooni või vibamist, mis võib tähendada ebaõiget paigaldust või halvasti tasakaalustatud ketast.
22. Lihvimist teostage selleks ettenähtud kettapinna osaga.
23. Olge ettevaatlik lendvate sädemetega. Hoidke seadet nii, et sädemed lendaksid eemale nii teist, kaasinimestest kui ka tuleohhtlikest materjalidest.
24. Ärge jätke tööriista käima. Käivitage tööriist ainult siis, kui hoiate seda käes.
25. Ärge puutuge töödeldavat detaili vahetult peale töötlemist; see võib olla väga kuum ja põhjustada põletushaavu.
26. Kandke alati hoolt selle eest, et tööriist oleks enne igasuguseid hooldustöid välja lülitatud ja akukassett eemaldatud.
27. Ketta õigeks paigaldamiseks ja kasutamiseks järgige valmistajapoolseid juhendeid. Käsitsege ja ladustage kettaid hoolikalt.
28. Ärge kasutage suureauguliste lihvketaste kinnitamiseks sobituspukse või adaptereid.
29. Kasutage ainult äärikuid, mis on mõeldud kasutamiseks koos antud tööriistaga.
30. Tööriistade korral, kus kasutatakse keermetatud auguga kettaid, jälgige, et ketta keerme pikkus oleks piisav võlliile kinnitamiseks.

31. Kontrollige, kas töödeldav detail on korralikult kinnitatud.
32. Pöörake tähelepanu asjaolule, et ketas jätkab pöörlemist ka peale tööriista väljalülitamist.
33. Kui töökoht on äärmiselt kuum ja niiske või tugevalt saastatud elektrit juhtiva tolmuga, siis tuleb operaatori ohutuse tagamiseks kasutada lühisvoolukaitset (30 mA).
34. Ärge kasutage tööriista asbesti sisaldavate materjalide töötlemiseks.
35. Ärge kasutage vett ega lihvimisvahendeid.
36. Tolmustes tingimustes töötamisel kontrollige, et tööriista ventilatsioonivad oleksid vabad. Kui tekitab tolmu eemaldamise vajadus, siis esmalt eemaldage toitejuhe vooluvõrgust. Puhastamisel ärge kasutage metallist vahendeid ja vältige tööriista sisemiste osade vigastamist.
37. Kui töötate löikekettaga, siis kasutage alati tolmueemaldusega ketta kaitset, mis vastab kohalikele eeskirjadele.
38. Lõikekettaid ei tohi külgsuunas suruda.

HOIDKE JUHEND ALLES.

⚠ HOIATUS:

ÄRGE laske mugavusel või toote kasutamisharjumustel (mis on saanud korduva kasutuse jooksul) asendada vankumatut toote ohutuseeskirjade järgimist. VALE KASUTUS või käesoleva kasutusjuhendi ohutusnõuete eiramine võib põhjustada tõsiseid vigastusi.

FUNKTSIONAALNE KIRJELDUS

⚠ HOIATUS:

- Kandke alati hoolt selle eest, et tööriist oleks enne reguleerimist ja kontrollimist välja lülitatud ja vooluvõrgust lahti ühendatud.

Võllilukk

⚠ HOIATUS:

- Ärge kasutage kunagi võllilukku ajal, mil võll veel liigub. See võib tööriista kahjustada.

Joon.1

Võlli pöörlemise takistamiseks vajutage võllilukku alati, kui paigaldate või eemaldate tarvikuid.

Lüliti funktsioneerimine

⚠ HOIATUS:

- Kontrollige alati enne tööriista vooluvõrku ühendamist, kas lüliti päästik funktsioneerib nõuetekohaselt ja liigub lahtilaskmisel tagasi väljalülitatud asendisse.
- Pikemaajalisel kasutamisel saab lüliti operaatori mugavuse huvides lukustada sisselülitatud asendisse. Tööriista lukustamisel sisselülitatud

asendisse olge ettevaatlik ja hoidke tööriista kindlas haardes.

Joon.2

Kinnilukustuse lülitiga tööriista kohta

Tööriista käivitamiseks on vaja lihtsalt lüliti päästikut tõmmata (B suunas). Seiskamiseks vabastage lüliti päästik. Pidevaks tööks tõmmake lüliti päästikut (B suunas) ja vajutage seejärel lukustushoob sisse (A suunas). Lukustatud tööriista seiskamiseks tõmmake lüliti päästik lõpuni (B suunas) ning seejärel vabastage see.

Lahtilukustuse lülitiga tööriista kohta

Selleks, et lüliti päästikut poleks võimalik juhuslikult tõmmata, on tööriistal lukustushoob.

Tööriista käivitamiseks vajutage lukustushoob sisse (A suunas) ja seejärel tõmmake lüliti päästikut (B suunas). Seiskamiseks vabastage lüliti päästik.

Kinni- ja lahtilukustuse lülitiga tööriista kohta

Selleks, et lüliti päästikut poleks võimalik juhuslikult tõmmata, on tööriistal lukustushoob.

Tööriista käivitamiseks vajutage lukustushoob sisse (A suunas) ja seejärel tõmmake lüliti päästikut (B suunas). Seiskamiseks vabastage lüliti päästik.

Katkematuks tööks lükake lukustushoob sisse (A suunas), tõmmake lüliti päästikut (B suunas) ja seejärel tõmmake lukustushooba (C suunas).

Peatage tööriist lukustatud asendis, tõmmake lüliti päästikut lõpuni (B suunas), seejärel vabastage see.

Märgutuli (mudelile GA7050R/GA9050R)

Joon.3

Roheline toite märgutuli süttib, kui tööriist on vooluvõrku ühendatud. Kui märgutuli ei sütti, on võimalik, et toitejuhe või juhtseade on defektne. Kui märgutuli põleb, kuid tööriist ei käivitu ka sisselülitamisel, võib põhjuseks olla asjaolu, et süsiharjad on kulunud või juhtseade, mootor või ON/OFF-lüliti on defektsed.

Tahtmatu taaskäivituse tõestus

Isegi lukustushoova lüliti päästiku allhoidmine ei lase tööriista taaskäivitada, ka juhul kui tööriist on sisse lülitatud.

Sel ajal vilgub märgutuli punaselt ja näitab, et tahtmatu taaskäivituse tõestuse seade töötab.

Tahtmatu taaskäivituse tõestuse tühistamiseks tõmmake lüliti päästik lõpuni ja seejärel vabastage see.

Sujuvkäivituse funktsioon

Nimetatud mudelid käivituvad sisselülitamisel aeglaselt. Ettevaatlik käivitus tagab sujuva töö.

KOKKUPANEK

⚠ HOIATUS:

- Kandke alati enne tööriistal mingite tööde teostamist hoolt selle eest, et see oleks välja lülitatud ja vooluvõrgust lahti ühendatud.

Külgkäepideme (käepide) paigaldamine

△HOIATUS:

- Enne tööd kontrollige alati, kas külgkäepide on kindlalt paigaldatud.

Joon.4

Kruvige külgkäepide kindlalt oma kohale nii, nagu joonisel näidatud.

Kettakaitse (nõgusa keskosaga ketas/multiketas/ketastraathari/lihvketas/teemantketas) paigaldamine või eemaldamine

△HOIATUS:

- Kui kasutate nõgusa keskosaga lihvketast/multiketast, painduvat ketast või traatidega kaussharja, tuleb kettakaitse paigaldada tööriista külge nii, et kaitse kinnine külg jääks alati operaatori poole.
- Kui kasutate lihv-/teemantketast, siis kasutage kindlasti ainult spetsiaalset kettakaitset, mis on loodud kasutamiseks löikeketastega. (Euroopa riikides võib kasutada teemantketast tavalise kettakaitsega.)

Lukustuskrugi tüüpi kettapiirdega tööriista kohta

Joon.5

Paigaldage kettapiire sellisel, et kettapiirde riba eend oleks laagriümbrise sälguga kohakuti. Seejärel pöörake kettapiiret 180 kraadi vastupäeva. Pärast paigaldust pingutage kindlasti kruvi hoolikalt.

Kettapiirde eemaldamiseks, järgige paigaldamise protseduuri vastupidises järjekorras.

Klamberhoova tüüpi kettapiirdega tööriista kohta

Joon.6

Vabastage kettapiirde hoob. Paigaldage kettapiire sellisel, et kettapiirde klambri eend oleks laagriümbrise sälguga kohakuti. Seejärel pöörake kettapiiret kuni joonisel näidatud kohani. Pingutage kettapiirde kinnitamiseks hooba. Kui hoob on kettapiirde kinnitamiseks kas liialt pingul või liiga lõdvalt, lõdvendage või pingutage kettapiirde klambri pingutuse reguleerimiseks mutrit.

Kettapiirde eemaldamiseks, järgige paigaldamise protseduuri vastupidises järjekorras.

Lohkus keskosaga käiakettas/Multi-diski (tarvik) paigaldamine või eemaldamine

△HOIATUS:

- Kasutage alati komplektis olevat piiret, kui tööriista külge on kinnitatud lohkus keskosaga käiakettas/Multi-disk. Töötamise ajal võib ketas kildudeks puruneda ja piire aitab vähendada tervisekahjustusi.

Joon.8

Paigaldage sisemine flanš völliile. Sobitage ketas sisemisele flanšile ja keerake fiksaatormutter völliile.

△HOIATUS:

- Ärge kunagi kasutage paksemat kui 6,5 mm lihvketast.

Superflanš

Tähega F märgistatud mudelitel on superäärik standardvarustuses. Kontramutri avamiseks kulub võrreldes tavamutriga vaid 1/3 vajalikust jõust.

Austraalia ja Uus-Meremaa tarbijale

Joon.9

Paigaldage sisemine flanš völliile. Sobitage ketas sisemisele flanšile ja keerake fiksaatormutter väljalaulutu osa vaatega alla (esiküljega vastu ketast) völliile.

Fiksaatormutri pingutamiseks suruge tugevalt völli lukustusnuppu nii, et völli ei saaks pöörelda ning pingutage fiksaatormutrit fiksaatormutri jaoks ettenähtud võtmega päripäeva.

Joon.10

Ketta eemaldamiseks, järgige paigaldamise protseduuri vastupidises järjekorras.

Lihvketta (täiendav lisavarustus) paigaldamine või eemaldamine

MÄRKUS:

- Kasutage käesolevas kasutusjuhendis nimetatud lihvtarvikuid. Need tuleb osta eraldi.

Joon.11

Paigaldage kummist tugiketas völliile. Sobitage ketas kummist tugiketale ja keerake fiksaatormutter völliile. Fiksaatormutri pingutamiseks suruge tugevalt völli lukustusnuppu nii, et völli ei saaks pöörelda ning pingutage fiksaatormutrit fiksaatormutri jaoks ettenähtud võtmega päripäeva.

Ketta eemaldamiseks järgige paigaldamise protseduuri vastupidises järjekorras.

Ezynuti (täiendav lisavarustus) paigaldamine või eemaldamine

△HOIATUS:

- Ärge kasutage Ezynuti koos Super Flange (superäärik) või Makita nurklihvijaga, millel on mudelinumbri lõpus „F“. Need äärikud on väga paksud ja kogu keere ei kinnitu völliile.

Joon.12

Paigaldage siseäärik, lihvketas/multiketas ja Ezynut völliile nii, et Makita logo jääks Ezynutil väljapoole.

Joon.13

Vajutage tugevasti völliilukule ja kinnitage Ezynut, keerates lihvketast/multiketast päripäeva lõpuni.

Avamiseks pöörake Ezynuti välisrõngast vastupäeva.

Joon.14

Joon.15

MÄRKUS:

- Ezynuti saab avada käsitsi siis, kui nool osutab sälgule. Vastasel korral kasutage avamiseks mutrivõtiti. Sisestage mutrivõtme üks sõrm avasse ja pöörake Ezynuti vastupäeva.

TÖÖRIISTA KASUTAMINE

⚠HOIATUS:

- Ärge kasutage tööriista suhtes kunagi jõudu. Tööriista enda raskus annab piisava surve. Ülemäärane surumine ja surve võivad põhjustada ohtliku ketta purunemise.
- Vahetage ALATI ketas välja siis, kui tööriist on käimise ajal maha kukkunud.
- ÄRGE KUNAGI käiaketast lööge vastu töödeldavat detaili.
- Vältige ketta kinikiilumist ja pörkimist vastu töödeldavat pinda, eriti siis, kui töotate nurkades ja teravate servadega jne. See võib põhjustada ohtlike tagasilööke.
- ÄRGE KUNAGI kasutage tööriista puidu lõikamiseks mõeldud teradega või muude saeteradega. Sellised terad, kui neid kasutada koos käiaga, löövad tihti tagasi ja põhjustavad kontrolli kadumist ja ohtlike vigastusi.

⚠HOIATUS:

- Ärge kunagi käivitage tööriista, mis on kontaktis töödeldava pinna või detailiga, see võib kaasa tuua ohtlike vigastusi.
- Kandke töö juures alati kaitseprille või näokatet.
- Pärast tööd lülitage tööriist alati välja ja oodake kuni ketas on täielikult seiskunud enne, kui tööriista käest panete.

Käimise ja lihvimise režiim

Joon.16

Hoidke tööriista ALATI kindlalt ühe käega tagumisest käepidemest ja teisega külgekäepidemest. Lülitage tööriist sisse ja seejärel alustage kettaga pinna või detaili töötlemist.

Tavaliselt hoidke ketta serva töödeldava pinna suhtes ca 15 kraadise nurga all.

Uue ketta sissetöötamisperioodil ärge töötage käiaga suunas B; vastasel juhul lõikub ketas töödeldavasse pinda. Kui ketta serv on töö käigus ümardunud, võib ketast kasutada mõlemas nii A kui ka B suunas.

Traatidega kaussharja (täiendav lisavarustus) käitamine

⚠HOIATUS:

- Kontrollige harja tööd, lastes tööriistal tühjalt käia ja kandes hoolt, et keegi ei asuks harja ees või sellega ühel joonel.
- Ärge kasutage kahjustatud või balansseerimata harja. Kahjustatud harja kasutamine võib

suurendada harja katkiste terasharjaste põhjustatud vigastusohu.

Joon.17

Tõmmake tööriist vooluvõrgust välja ja asetage see tagurpidi, et pääseksite võllile kergesti ligi. Eemaldage võllilt kõik tarvikud. Paigaldage traatidega kausshari võllile ja keerake kaasasoleva mutrivõtmega kinni. Vältige harja kasutamisel liigse jõu rakendamist, sest see võib painutada harjaseid ja põhjustada seeläbi enneaegset kulumist.

Ketastraatharja (täiendav lisavarustus) käitamine

⚠HOIATUS:

- Kontrollige ketastraatharja tööd, lastes tööriistal tühjalt käia ja kandes hoolt, et keegi ei asuks ketastraatharja ees või sellega ühel joonel.
- Ärge kasutage kahjustatud või balansseerimata ketastraatharja. Kahjustatud ketastraatharja kasutamine võib suurendada harja katkiste harjaste põhjustatud vigastusohu.
- Kasutage ketastraatharjadega töötamisel ALATI kaitset, valides ketta diameetritele sobiva suuruse. Kui ketas peaks töötamisel tükikideks purunema, aitab kaitse vigastusi vältida.

Joon.18

Tõmmake tööriist vooluvõrgust välja ja asetage tagurpidi, et pääseksite võllile kergesti ligi. Eemaldage võllilt kõik tarvikud. Keerake ketastraathari võllile ja kinnitage mutrivõtmega.

Vältige harja kasutamisel liigse jõu rakendamist, sest see võib painutada harjaseid ja põhjustada seeläbi enneaegset kulumist.

Lihvketta/teemantketta (täiendav lisavarustus) käitamine

⚠HOIATUS:

- Kui kasutate lihv-/teemantketast, siis kasutage kindlasti ainult spetsiaalset kettakaitset, mis on loodud kasutamiseks lõikeketastega. (Euroopa riikides võib kasutada teemantketast tavalise kettakaitsega.)
- ÄRGE KUNAGI kasutage lõikeketast külglihvimiseks.
- Ärge „kiiluge“ lõikeketast ega rakendage liigset survet. Ärge püüdke teha ülemäärase sügavusega lõiget. Ketta ülesurvestamine suurendab koormust ja ketta väände või ühenduse tundlikkust lõikes ning tagasilöögi võimalust või ketta purunemist.
- Ärge käivitage töödeldava detaili lõikeoperatsiooni. Laske kettal jõuda täiskirusele ja sisenege hoolikalt lõikesse, liigutades tööriista üle töödeldava detaili pinna. Kui elektritööriist käivitatakse töödeldavas detailis, võib ketas võib kinni kiiluda, üles liikuda või tagasi pörkuda.

- Lõikeoperatsiooni käigus ärge muutke kunagi ketta nurka. Lõikeketastele külgsurve rakendamine (nagu lihvimisel) põhjustab ketta möranemise ja purunemise, mis võib kaasa tuua tõsiseid vigastusi.
- Teemantketast tuleb kasutada lõigatava materjali suhtes ristloodis.

Paigaldage sisemine flanš võllile. Sobitage ketas sisemisele flanšile ja keerake fiksaatormutter võllile.

Joon.19

Teemantketta või lihvketta paigaldamisel, mille kettasüdamik paksus on 7 mm või enam, paigaldage kontramutter eenduva esiosaga ratta suunas.

Austraalia ja Uus-Meremaa tarbijale

Lihvketta/teemantketta (täiendav lisavarustus) paigaldamine või eemaldamine.

Joon.20

HOOLDUS

⚠HOIATUS:

- Kandke alati enne kontroll- või hooldustoimingute teostamist hoolt selle eest, et tööriist oleks välja lülitatud ja vooluvõrgust lahti ühendatud.
- Ärge kunagi kasutage bensiini, vedeldit, alkoholi ega midagi muud sarnast. Selle tulemuseks võib olla luitumine, deformatsioon või pragunemine.

Joon.21

Tööriist ja selle ventilatsioonivad peavad olema puhtad. Puhastage tööriista ventilatsioonivasid regulaarselt või siis, kui need hakkavad ummistuma.

Süsiharjade asendamine

Joon.22

Kui süsiharja sisemine vaiguga isoleeritud tipp puutub kokku kommutaatoriga, lülitab see automaatselt mootori välja. Kui see peaks juhtuma, peate mõlemad süsiharjad asendama. Hoidke süsiharjad puhtad, nii on neid lihtne oma hoidikutesse libistada. Mõlemad süsiharjad tuleb asendada korraga. Kasutage ainult identseid süsiharju. Kasutage harjahoidikute kaante eemaldamiseks kruvikeerajat. Võtke ära kulunud süsiharjad välja, paigaldage uued ning kinnitage harjahoidikute kaaned tagasi oma kohale.

Joon.23

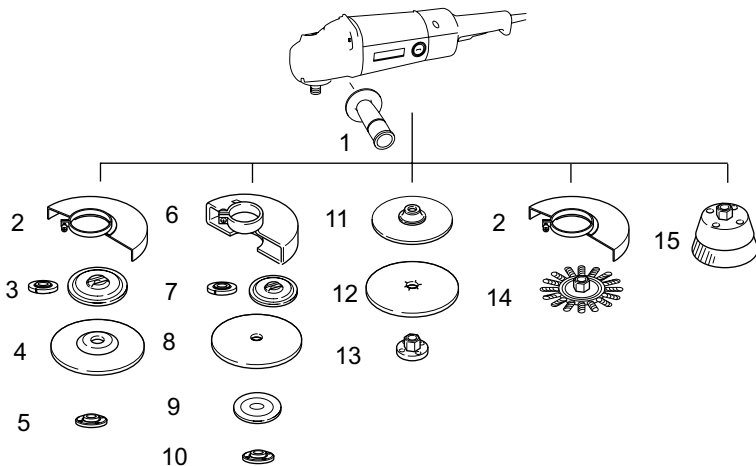
Toote OHUTUSE ja TÖÖKINDLUSE tagamiseks tuleb vajalikud remonttööd, muud hooldus- ja reguleerimistööd lasta teha Makita volitatud teeninduskeskustes. Alati tuleb kasutada Makita varuosi.

TARVIKUD

⚠HOIATUS:

- Neid tarvikuid ja lisaseadiseid on soovitatav kasutada koos Makita tööriistaga, mille kasutamist selles kasutusjuhendis kirjeldatakse. Muude tarvikute ja lisaseadiste kasutamisega kaasneb vigastada saamise oht. Kasutage tarvikuid ja lisaseadiseid ainult otstarvetel, milleks need on ette nähtud.

Saate vajadusel kohalikust Makita teeninduskeskusest lisateavet nende tarvikute kohta.



1	Külgrkäepide
2	Nõgusa keskosaga lihvketta/multiketta/ketastraathari kaitse
3	Siseäärik/Superäärik/Siseäärik 102 (ainult Austraalias ja Uus-Meremaal)
4	Lohkus keskosaga käiaketas/Multi-disk
5	Kontramutter/Ezynut*1
6	Lihvketta / teemantketa kaitse*2
7	Siseäärik/Superäärik/Siseäärik 78 (ainult Austraalias ja Uus-Meremaal)
8	Lihvketas/teemantketa
9	Välisäärik 78 (ainult Austraalias ja Uus-Meremaal)*3
10	Kontramutter/Ezynut*1
11	Kummist tugiketas
12	Lihvketas
13	Lihvimisketta kontramutter
14	Ketastraathari
15	Traatidega kausshari
—	Fiksaatornutri võti
—	Tolmukatte kinnitus

*1 Ärge kasutage koos superääriku ja Ezynuti.

*2 Euroopa riikides võib teemantketa kasutada spetsiaalse kahepoolse kettakaitse asemel tavalise kettakaitsemega.

*3 Kasutage koos siseäärikut 78 ja välisäärikut 78. (ainult Austraalias ja Uus-Meremaal)

РУССКИЙ ЯЗЫК (Исходная инструкция)

Объяснения общего плана

1-1. Замок вала	10-1. Ключ стопорной гайки	19-4. Защитный кожух для абразивного отрезного круга/алмазного круга
2-1. Курковый выключатель	10-2. Замок вала	20-1. Стопорная гайка
2-2. Рычаг блокировки	11-1. Стопорная гайка	20-2. Наружный фланец 78
3-1. Индикаторная лампа	11-2. Абразивный диск	20-3. Абразивный отрезной круг/алмазный круг
5-1. Ограждение диска	11-3. Резиновая подушка	20-4. Внутренний фланец 78
5-2. Винт	12-1. Гайка Ezypnt	20-5. Защитный кожух для абразивного отрезного круга/алмазного круга
5-3. Узел подшипника	12-2. Абразивный диск/Многофункциональный диск	21-1. Вытяжное отверстие
6-1. Ограждение диска	12-3. Внутренний фланец	21-2. Впускное вентиляционное отверстие
6-2. Узел подшипника	12-4. Шпиндель	22-1. Коммутатор
6-3. Гайка	13-1. Замок вала	22-2. Изоляционный наконечник
6-4. Рычаг	14-1. Стрелка	22-3. Угольная щетка
7-1. Гайка	14-2. Выемка	23-1. Колпачок держателя щетки
7-2. Рычаг	17-1. Крышка с проводом щетки	23-2. Отвертка
8-1. Стопорная гайка	18-1. Дисковая проволочная щетка	
8-2. Диск с вогнутым центром	19-1. Стопорная гайка	
8-3. Внутренний фланец	19-2. Абразивный отрезной круг/алмазный круг	
8-4. Быстрозажимной фланец	19-3. Внутренний фланец	
9-1. Стопорная гайка		
9-2. Диск с вогнутым центром		
9-3. Внутренний фланец		

ТЕХНИЧЕСКИЕ ХАРАКТЕРИСТИКИ

Модель	GA7050	GA7050R	GA9050	GA9050R
Диаметр диска с вогнутым центром	180 мм	180 мм	230 мм	230 мм
Резьба шпинделя	M14	M14	M14	M14
Число оборотов без нагрузки (n_0) / Номинальное число оборотов (n)	8 500(мин. ⁻¹)	8 500(мин. ⁻¹)	6 600(мин. ⁻¹)	6 600(мин. ⁻¹)
Общая длина	432 мм	455 мм	432 мм	455 мм
Вес нетто	4,5 кг	4,6 кг	4,7 кг	4,8 кг
Класс безопасности	II/III			

- Благодаря нашей постоянно действующей программе исследований и разработок, указанные здесь технические характеристики могут быть изменены без предварительного уведомления.
- Технические характеристики могут различаться в зависимости от страны.
- Масса в соответствии с процедурой EPTA 01/2003

Назначение

Инструмент предназначен для шлифовки, зачистки и резки материалов из металла и камня без использования воды.

ENE048-1

Для модели GA7050, GA9050

ENF100-1

Для низковольтных систем общего пользования напряжением от 220 В до 250 В.

Включение электрического устройства приводит к колебаниям напряжения. Использование данного устройства в неблагоприятных условиях электроснабжения может оказывать негативное влияние на работу другого оборудования. Если полное сопротивление в сети питания равно или менее 0,22 Ом, можно предполагать, что данный инструмент не будет оказывать негативного влияния. Сетевая розетка, используемая для данного инструмента, должна быть защищена предохранителем или прерывателем цепи с медленным размыканием.

ENF002-2

Питание

Подключайте данный инструмент только к тому источнику питания, напряжение которого соответствует напряжению, указанному на паспортной табличке. Инструмент предназначен для работы от источника однофазного переменного тока. Они имеют двойную изоляцию и поэтому могут подключаться к розеткам без заземления.

Шум

Типичный уровень взвешенного звукового давления (A), измеренный в соответствии с EN60745:

Уровень звукового давления (L_{pA}): 94 дБ (A)

Уровень звуковой мощности (L_{WA}): 105 дБ(A)

Погрешность (K): 3 дБ(A)

Используйте средства защиты слуха

Вибрация

Суммарное значение вибрации (сумма векторов по трем осям) определяется по следующим параметрам EN60745:

Модель GA7050,GA7050R

Рабочий режим: шлифовка поверхности

Распространение вибрации ($a_{h,AG}$): 6,5 м/с²

Погрешность (K): 1,5 м/с²

Режим работы: шлифовка диском

Распространение вибрации ($a_{h,DS}$): 4,0 м/с²

Погрешность (K): 1,5 м/с²

Модель GA9050,GA9050R

Рабочий режим: шлифовка поверхности

Распространение вибрации ($a_{h,AG}$): 5,5 м/с²

Погрешность (K): 1,5 м/с²

Режим работы: шлифовка диском

Распространение вибрации ($a_{h,DS}$): 2,5 м/с²

Погрешность (K): 1,5 м/с²

- Заявленное значение распространения вибрации измерено в соответствии со стандартной методикой испытаний и может быть использовано для сравнения инструментов.
- Заявленное значение распространения вибрации можно также использовать для предварительных оценок воздействия.
- Заявленное значение распространения вибрации относится к основным операциям, выполняемым с помощью электроинструмента. Однако если электроинструмент используется для других целей, уровень вибрации может отличаться.

⚠️ ПРЕДУПРЕЖДЕНИЕ:

- Распространение вибрации во время фактического использования электроинструмента может отличаться от заявленного значения в зависимости способа применения инструмента.
- Обязательно определите меры безопасности для защиты оператора, основанные на оценке воздействия в реальных условиях

использования (с учетом всех этапов рабочего цикла, таких как выключение инструмента, работа без нагрузки и включение).

Только для европейских стран

Декларация о соответствии ЕС

Makita Corporation, являясь ответственным производителем, заявляет, что следующие устройства Makita:

Обозначение устройства:

Угловая шлифмашина

Модель/Тип: GA7050, GA7050R, GA9050, GA9050R

являются серийными изделиями и

Соответствует следующим директивам ЕС:

2006/42/EC

И изготовлены в соответствии со следующими стандартами или нормативными документами:

EN60745

Техническая документация хранится у официального представителя в Европе:

Makita International Europe Ltd.

Michigan Drive, Tongwell,

Milton Keynes, Bucks MK15 8JD, England

26.6.2009



000230

Tomoyasu Kato

Директор

Makita Corporation

3-11-8, Sumiyoshi-cho,

Anjo, Aichi, 446-8502, JAPAN

Общие рекомендации по технике безопасности для электроинструментов

⚠️ ПРЕДУПРЕЖДЕНИЕ Ознакомьтесь со всеми инструкциями и рекомендациями по технике безопасности. Невыполнение инструкций и рекомендаций может привести к поражению электротоком, пожару и/или тяжелым травмам.

Сохраните брошюру с инструкциями и рекомендациями для дальнейшего использования.

ПРАВИЛА ТЕХНИКИ БЕЗОПАСНОСТИ ПРИ ЭКСПЛУАТАЦИИ ШЛИФОВАЛЬНОГО СТАНКА

Общие предупреждения о безопасности для операций шлифования, зачистки, очистки проволочной щеткой и абразивной резки:

1. Данный электроинструмент предназначен для шлифования, зачистки, очистки проволочной щеткой и абразивной резки. Ознакомьтесь со всеми предоставленными инструкциями по технике безопасности, указаниями, иллюстрациями и техническими характеристиками, прилагаемыми к данному инструменту. Несоблюдение всех инструкций, указанных ниже, может привести к поражению электрическим током, пожару и/или серьезной травме.
2. Не рекомендуется пользоваться данным инструментом для выполнения таких операций, как полировка. Использование инструмента не по назначению может создать опасную ситуацию и стать причиной травмы.
3. Не используйте принадлежности других производителей, не рекомендованные производителем данного инструмента. Даже если принадлежность удастся закрепить на инструменте, это не обеспечит безопасность эксплуатации.
4. Номинальная скорость принадлежностей должна быть как минимум равна максимальной скорости, обозначенной на инструменте. При превышении номинальной скорости принадлежности последняя может разломиться на части.
5. Внешний диаметр и толщина принадлежности должна соответствовать номинальной мощности инструмента. Принадлежности неправильного размера не обеспечивают безопасность работы.
6. Размер оправки кругов, фланцев, опорных подушек или других принадлежностей должен в точности соответствовать параметрам шпинделя инструмента. Принадлежности с отверстием под оправку, не соответствующим установочным размерам инструмента, разбалансируются и начнут сильно вибрировать, что может привести к потере контроля над инструментом.
7. Не используйте поврежденные принадлежности. Перед каждым использованием принадлежностей типа абразивных кругов проверяйте их на наличие раскрашивания и трещин, проверьте опорные фланцы на наличие трещин, задиров или чрезмерного износа, а проволочные щетки - на наличие выпавших или сломанных проволочек. Если вы уронили инструмент или принадлежность, осмотрите их на предмет поврежденной либо установите неповрежденную принадлежность. После осмотра и установки принадлежности удалите посторонних из рабочей зоны, встаньте в стороне от плоскости вращения принадлежности и включите инструмент на максимальной мощности без нагрузки, дайте ему поработать в течение одной минуты. Поврежденные принадлежности в течение этого времени обычно ломаются.
8. Надевайте индивидуальные средства защиты. В зависимости от выполняемых операций используйте защитную маску, защитные очки различных типов. При необходимости надевайте респиратор, средство защиты органов слуха, перчатки и защитный передник для защиты от небольших частиц абразивных материалов или детали. Средства защиты зрения должны предохранять от летящих фрагментов, появляющихся при выполнении различных операций. Пылезаститная маска или респиратор должны обеспечивать фильтрацию пыли, возникающей во время работы. Продолжительное воздействие сильного шума может стать причиной потери слуха.
9. Посторонние должны находиться на безопасном расстоянии от рабочего места. Любая приближающийся к рабочему месту должен предварительно надеть индивидуальные средства защиты. Осколки заготовки или сломавшейся принадлежности могут разлететься и причинить травму даже на значительном удалении от рабочего места.
10. Если при выполнении работ существует риск контакта режущего инструмента со скрытой электропроводкой или собственным шнуром питания, держите электроинструмент за специально предназначенные изолированные поверхности. Контакт с проводом под напряжением приведет к тому, что металлические детали инструмента также окажутся под напряжением. Это может стать причиной поражения оператора электрическим током.
11. Располагайте шнур питания на удалении от вращающейся принадлежности. Если вы не удержите инструмент, возможно случайное разрезание или повреждение шнура, а также затягивание руки вращающейся

принадлежностью.

12. **Не кладите инструмент, пока принадлежность полностью не остановится.** Вращающаяся насадка может коснуться поверхности, и вы не удержите инструмент.
13. **Не включайте инструмент во время переноски.** Случайный контакт с вращающейся принадлежностью может привести к защемлению одежды и притягиванию принадлежности к телу.
14. **Регулярно прочищайте вентиляционные отверстия инструмента.** Вентилятор электродвигателя засасывает пыль внутрь корпуса, а значительные отложения металлической пыли могут привести к поражению электрическим током.
15. **Не используйте инструмент вблизи горючих материалов.** Эти материалы могут воспламениться от искр.
16. **Не используйте принадлежности, требующие жидкостного охлаждения.** Использование воды или других охлаждающих жидкостей может привести к поражению электротоком.

Отдача и соответствующие предупреждения

Отдача – это мгновенная реакция на неожиданное застопоривание вращающейся опорной подушки или другой принадлежности. Застревание или застопоривание вызывает резкий останов вращающейся принадлежности, что, в свою очередь, приводит к неконтролируемому рывку инструмента в направлении, противоположном вращению принадлежности в момент застревания.

Например, если абразивный круг застопорится или застрянет в заготовке, край круга, входящий в точку заклинивания, может врезаться в поверхность материала, в результате чего круг поведет вверх или отбросит. Круг может совершить рывок в направлении оператора или обратно, в зависимости от направления перемещения круга в точке заклинивания. В такой ситуации абразивные круги могут даже сломаться.

Отдача – это результата неправильного использования инструмента и/или неправильных процедур или условий эксплуатации. Ее можно избежать, соблюдая предосторожности, указанные ниже.

- a) **Крепко держите инструмент и располагайте тело и руки таким образом, чтобы иметь возможность противостоять силе, возникающей при отдаче. Обязательно пользуйтесь вспомогательной рукояткой (если имеется), чтобы обеспечить максимальный контроль над отдачей или крутящим моментом во время пуска.** Оператор способен справиться с крутящим моментом и силами отдачи при условии

соблюдения соответствующих мер безопасности.

b) **Не подносите руки к вращающейся принадлежности.** При отдаче можно повредить руки.

c) **Не становитесь на возможной траектории движения инструмента в случае отдачи.** При отдаче инструмент сместится в направлении, противоположном вращению колеса в момент застревания.

d) **Соблюдайте особую осторожность при обработке углов, острых краев и т.п. Не допускайте рывков и блокировки принадлежности.** Углы, острые края или рывки могут привести к блокировке вращающейся принадлежности и стать причиной потери контроля или вызвать отдачу.

e) **Не устанавливайте на инструмент пильную цепь, принадлежность для резьбы по дереву или дисковую пилу.** Такие полотна часто вызывают отдачу и потерю контроля.

Специальные предупреждения о безопасности для операций шлифования и абразивной резки:

a) **Используйте круги только рекомендованных типов и специальные защитные приспособления, разработанные для выбранного круга.** Круги, не предназначенные для данного инструмента, не обеспечивают достаточную степень защиты и небезопасны.

b) **Ограждение должно быть надежно закреплено на инструменте и установлено так, чтобы обеспечить максимальную безопасность, чтобы как можно меньший сегмент круга выступал наружу.** Ограждение помогает обезопасить оператора от разлета осколков разорвавшегося круга и случайного прикосновения к кругу.

c) **Круги должны использоваться только по рекомендованному назначению. Например: не шлифуйте краем отрезного круга.** Абразивные отрезные круги предназначены для периферийного шлифования, боковые усилия, приложенные к таким кругам, могут вызвать их разрушение.

d) **Обязательно используйте неповрежденные фланцы для кругов соответствующего размера и формы.** Подходящие фланцы поддерживают круг, снижая вероятность его разрушения. Фланцы для отрезных кругов могут отличаться от фланцев для шлифовальных кругов.

e) **Не используйте изношенные круги от более крупных электроинструментов.** Круг, предназначенный для более крупного инструмента, не годится для высоких скоростей небольшого инструмента, и может разрушиться.

Дополнительные специальные предупреждения о безопасности для операций абразивной резки:

- a) Не "заклинивайте" отрезной круг и не прикладывайте к нему чрезмерное давление. Не пытайтесь делать слишком глубокий разрез. Перенапряжение круга увеличивает его нагрузку и восприимчивость к короблению или прихватуванию в прорези, а также возможность отдачи или поломки круга.
- b) Не становитесь на одной линии или позади вращающегося круга. Если во время операции круг движется от вас, то при отдаче вращающийся круг и инструмент может отбросить прямо на вас.
- c) Если круг прихватывает или процесс резания прерывается по другой причине, выключите электроинструмент и держите его неподвижно до полной остановки круга. Не пытайтесь извлечь отрезной круг из разреза до полного останова круга, в противном случае может возникнуть отдача. Выясните и устраните причину прихватывания круга.
- d) Не перезапускайте отрезной круг, пока он находится в детали. Дождитесь, пока круг разовьет максимальную скорость, и осторожно погрузите его в разрез. Круг может застрять, отбросить вверх или назад, если перезапустить электроинструмент непосредственно в детали.
- e) Устанавливайте опоры под панели или большие детали, чтобы уменьшить риск застревания круга и возникновения отдачи. Большие детали имеют тенденцию к прогибу под собственным весом. При резании таких панелей необходимо поместить опоры под разрезаемую деталью рядом с линией разреза и рядом с краем детали с обеих сторон круга.
- f) Будьте особенно осторожны при выполнении "врезки" в существующих стенах или на других неизвестных участках. Выступающий круг может натолкнуться на газовую или водопроводную трубу, электропроводку или предметы, которые могут привести к отдаче.

Специфические инструкции по технике безопасности, относящиеся к операциям шлифовки:

- a) Не пользуйтесь шлифовальным диском слишком большого размера. При выборе наждачной бумаги следуйте рекомендациям производителя. Большие размеры наждачной бумаги, выступающей за края подложки, могут привести к разрыву бумаги, застреванию, разрушению диска или отдаче.

Специфические инструкции по технике безопасности, относящиеся к операциям очистки проволочной щеткой:

- a) Берегитесь проволочек, которые разлетаются от щетки даже в нормальном режиме работы. Не прикладывайте чрезмерное усилие на проволоку, слишком сильно нажимая на щетку. Проволока щетки может легко пробить одежду и/или кожу.
- b) Если для работы по очистке проволочными щётками рекомендуется использовать ограждение, не допускайте биения проволочного круга или щетки об ограждение. Проволочный круг или щётка могут увеличиваться в диаметре под воздействием нагрузки и центробежных сил.

Дополнительные предупреждения по безопасности:

17. При использовании дисков с вогнутым центром используйте только диски с упрочнением стекловолоком.
18. ЗАПРЕЩАЕТСЯ ИСПОЛЬЗОВАТЬ с этим инструментом чашеобразный шлифовальный круг. Данная шлифовальная машина не предназначена для кругов такого типа, их использование может привести к тяжелой травме.
19. Будьте осторожны во избежание повреждения шпинделя, фланца (особенно его установочной поверхности) или стопорной гайки. Повреждения этих деталей могут привести к поломке круга.
20. Перед включением выключателя убедитесь, что диск не касается детали.
21. Перед тем, как использовать инструмент для фактических работ, дайте ему немного поработать вхолостую. Следите за вибрацией или биением, которые могут свидетельствовать о неправильной установке или плохой балансировке круга.
22. Для выполнения шлифовки пользуйтесь соответствующей поверхностью диска.
23. Следите за образующимися искрами. Держите инструмент таким образом, что искры были направлены от вас, других лиц или горячих материалов.
24. Не оставляйте работающий инструмент без присмотра. Включайте инструмент только тогда, когда он находится в руках.
25. Сразу после окончания работ не прикасайтесь к обработанной детали. Она может быть очень горячей, что приведет к ожогам кожи.
26. Перед выполнением каких-либо работ на инструменте обязательно убедитесь, что он выключен и отключен от сетевой розетки, или что с него снята аккумуляторная батарея.

27. Соблюдайте инструкции изготовителя по правильной установке и использованию дисков. Бережно обращайтесь с дисками и аккуратно храните их.
28. Не пользуйтесь отдельными переходными втулками или адаптерами для крепления абразивных дисков с большими отверстиями.
29. Используйте только фланцы, указанные для данного инструмента.
30. Для инструментов, предназначенных для использования дисков с резьбовым отверстием, убедитесь, что резьба диска достаточна, чтобы диск можно было полностью завернуть на шпиндель.
31. Убедитесь, что обрабатываемая деталь имеет надлежащую опору.
32. Обратите внимание на то, что диск будет некоторое время вращаться после выключения инструмента.
33. Если в месте выполнения работ очень высокая температура и влажность или в ней содержится большое количество токопроводящей пыли, используйте прерыватель цепи (30 мА) для обеспечения безопасности работ.
34. Не используйте инструмент на любых материалах, содержащих асбест.
35. Не используйте воду или шлифовальную смазку.
36. При работе в запыленных условиях убедитесь, что вентиляционные отверстия не заблокированы. При необходимости выполнения чистки вентиляционных отверстий сначала выключите инструмент из сети (используйте неметаллические предметы) и следите за тем, чтобы не повредить внутренние детали инструмента.
37. При использовании отрезного диска, всегда работайте с предохранительным ограждением диска для сбора пыли, установка которого необходима в соответствии с местными нормативными требованиями.
38. Не подвергайте отрезные круги какому-либо боковому давлению.

СОХРАНИТЕ ДАННЫЕ ИНСТРУКЦИИ.

⚠️ ПРЕДУПРЕЖДЕНИ:

НЕ ДОПУСКАЙТЕ, чтобы удобство или опыт эксплуатации данного устройства (полученный от многократного использования) доминировали над строгим соблюдением правил техники безопасности при обращении с этим устройством. **НЕПРАВИЛЬНОЕ ИСПОЛЬЗОВАНИЕ** инструмента

или несоблюдение правил техники безопасности, указанных в данном руководстве, может привести к тяжелой травме.

ОПИСАНИЕ ФУНКЦИОНИРОВАНИЯ

⚠️ ПРЕДУПРЕЖДЕНИ:

- Перед проведением регулировки или проверки работы инструмента всегда проверяйте, что инструмент выключен, а шнур питания вынут из розетки.

Замок вала

⚠️ ПРЕДУПРЕЖДЕНИ:

- Никогда не задействуйте замок вала при вращающемся шпинделе. Это может привести к повреждению инструмента.

Рис.1

Нажмите на замок вала для предотвращения вращения шпинделя при установке или снятии дополнительных принадлежностей.

Действие переключения

⚠️ ПРЕДУПРЕЖДЕНИ:

- Перед включением инструмента в розетку, всегда проверяйте, что триггерный переключатель работает надлежащим образом и возвращается в положение "ВЫКЛ", если его отпустить.
- Переключатель можно заблокировать в положении "ВКЛ" для удобства оператора при продолжительном использовании. Будьте осторожны при блокировке инструмента в положении "ВКЛ" и продолжайте крепко удерживать инструмент.

Рис.2

Для инструмента с блокирующим переключателем

Для включения инструмента достаточно просто нажать на курковый выключатель (в направлении В). Для выключения инструмента отпустите курковый выключатель. Для непрерывной работы инструмента нажмите на курковый выключатель (в направлении В) и затем нажмите на стопорный выключатель (в направлении А). Для отключения фиксированного положения выключателя до конца нажмите на курковый выключатель (в направлении В) и затем отпустите его.

Для инструмента с переключателем без блокировки

Для предотвращения случайного нажатия на инструменте установлен стопорный рычаг.

Для включения инструмента нажмите на стопорный рычаг (в направлении А) и затем нажмите на курковый выключатель (в направлении В). Для

выключения инструмента отпустите курковый выключатель.

Для инструмента с переключателем с блокировкой и без блокировки

Для предотвращения случайного нажатия куркового выключателя на инструменте установлен стопорный рычаг.

Для включения инструмента нажмите на стопорный рычаг (в направлении А) и затем нажмите на курковый выключатель (в направлении В). Для выключения инструмента отпустите курковый выключатель.

Для непрерывной работы инструмента нажмите на стопорный выключатель (в направлении А), нажмите на курковый выключатель (в направлении В), а затем нажмите на стопорный выключатель (в направлении С).

Для отключения фиксированного положения выключателя до конца нажмите на курковый выключатель (в направлении В) и затем отпустите его.

Индикатор (для модели GA7050R/GA9050R)

Рис.3

При подключении инструмента к сети питания загорается зеленый индикатор. Если индикатор не загорается, то неисправен либо сетевой шнур, либо контроллер. Если индикатор светится, а инструмент не включается даже при нажатом выключателе, это свидетельствует либо об износе щеток, либо о неисправности контроллера, электромотора или выключателя.

Защита от случайного включения

Инструмент не включится при подсоединении к сети электропитания, даже если стопорный рычаг удерживает курковый выключатель в нажатом положении (положение фиксации во включенном состоянии).

Индикатор начнет мигать красным цветом, что свидетельствует об активированной функции защиты от случайного включения.

Для отмены защиты от случайного включения нажмите на курковый выключатель до конца, чтобы освободить его.

Функция плавного запуска

При включении инструменты данной модели начинают работать медленно. Эта функция плавного запуска обеспечивает плавность работы.

МОНТАЖ

⚠️ ПРЕДУПРЕЖДЕНИ:

- Перед проведением каких-либо работ с инструментом всегда проверяйте, что инструмент выключен, а шнур питания вынут из розетки.

Установка боковой рукоятки (ручки)

⚠️ ПРЕДУПРЕЖДЕНИ:

- Перед работой всегда проверяйте надежность крепления боковой рукоятки.

Рис.4

Прочно закрепите боковую рукоятку на месте, как показано на рисунке.

Установка или снятие защитного кожуха (для диска с углубленным центром, многофункционального диска, дисковой проволочной щетки/абразивного отрезного диска, алмазного диска)

⚠️ ПРЕДУПРЕЖДЕНИ:

- При использовании шлифовального диска с углубленным центром/многофункционального диска, гибкого диска или дисковой проволочной щетки установите защитный кожух так, чтобы закрытая сторона кожуха была направлена к оператору.
- При использовании абразивного отрезного круга/алмазного круга может применяться только специальный защитный кожух, предназначенный для отрезных кругов. (В Европе при использовании алмазного круга можно использовать обычное ограждение.)

Для инструмента с ограждением диска со стопорным болтом

Рис.5

Установите кожух диска, выровняв выступ на полосе кожуха диска с выемкой в подшипниковой коробке. После этого поверните кожух диска примерно на 180 градусов против часовой стрелки. Обязательно крепко закрутите болт.

Для снятия кожуха диска выполните процедуру установки в обратном порядке.

Для инструмента с ограждением диска с зажимным рычагом

Рис.6

Рис.7

Ослабьте рычаг на ограждении диска. Установите ограждение диска так, чтобы паз на хомуте фиксации ограждения совпал с выступом на узле подшипника. Затем поверните ограждение диска по кругу и установите его в положение, показанное на рисунке. Затяните рычаг для фиксации ограждения диска. Если рычаг слишком тугой или слишком слабый для затягивания ограждения диска, ослабьте или затяните гайку для регулировки затяжки хомута ограждения диска.

Для снятия кожуха диска выполните процедуру установки в обратном порядке.

Установка или снятие шлифовального диска с вогнутым центром/Мультидиска (дополнительная принадлежность)

⚠️ ПРЕДУПРЕЖДЕНИ:

- При эксплуатации инструмента с диском с углубленным центром/многофункциональным диском всегда используйте поставляемое с инструментом ограждение. Во время работы диск может разрушиться, и ограждение помогает снизить риск получения травмы.

Рис.8

Установите внутренний фланец на шпиндель. Наденьте диск/круг на внутренний фланец и вкрутите стопорную гайку на шпиндель.

⚠️ ПРЕДУПРЕЖДЕНИ:

- Запрещается использовать шлифовальный круг толщиной более 6,5 мм.

Суперфланец

Модели с буквой F стандартно комплектуются быстрозажимным фланцем. По сравнению с обычным типом для откручивания гайки требуется только 1/3 обычного усилия.

Для Австралии и Новой Зеландии

Рис.9

Установите внутренний фланец на шпиндель. Установите диск/круг на внутренний фланец и закрутите стопорную гайку выступом вниз (по направлению к диску).

Для затяжки стопорной гайки, сильно надавите на замок вала, чтобы шпиндель не проворачивался, затем воспользуйтесь ключом стопорной гайки и крепко затяните ее по часовой стрелке.

Рис.10

Для снятия диска выполните процедуру установки в обратном порядке.

Установка или снятие абразивного диска (дополнительная принадлежность)

Примечание:

- Используйте принадлежности для шлифования, указанные в данном руководстве. Их следует приобрести отдельно.

Рис.11

Установите на шпиндель резиновую площадку. Установите диск на резиновую площадку и закрутите стопорную гайку на шпинделе. Для затяжки стопорной гайки, сильно надавите на замок вала, чтобы шпиндель не проворачивался, затем воспользуйтесь ключом стопорной гайки и крепко затяните ее по часовой стрелке.

Для снятия диска выполните процедуру установки в обратном порядке.

Установка или снятие гайки Ezynut (дополнительная принадлежность)

⚠️ ПРЕДУПРЕЖДЕНИ:

- Не используйте гайку Ezynut с суперфланцем или угловой шлифовальной машиной, в конце модели которой указана буква "F". Толщина этих фланцев слишком велика, поэтому шпиндель не сможет удерживать всю резбу.

Рис.12

Установите внутренний фланец, абразивный диск/многофункциональный диск и гайку Ezynut на шпиндель таким образом, чтобы логотип "Makita" на гайке Ezynut был направлен наружу.

Рис.13

Сильно нажмите на замок вала и затяните гайку Ezynut, повернув абразивный диск/многофункциональный диск по часовой стрелке до упора.

Чтобы ослабить гайку Ezynut, поверните ее внешнее кольцо против часовой стрелки.

Рис.14

Рис.15

Примечание:

- Пока стрелка указывает на выемку, гайку Ezynut можно ослабить вручную. В противном случае необходим ключ для стопорной гайки, чтобы ослабить ее. Вставьте один штифт ключа в отверстие и поверните Ezynut против часовой стрелки.

ЭКСПЛУАТАЦИЯ

⚠️ ПРЕДУПРЕЖДЕНИ:

- Никогда не прилагайте к инструменту усилий. Вес инструмента создает адекватное давление. Чрезмерное усилие и давление могут привести к опасному разрушению диска.
- ВСЕГДА меняйте диск, если при шлифовании инструмент упал.
- НИКОГДА не ударяйте и не бейте шлифовальный диск или круг об обрабатываемую деталь.
- Избегайте подпрыгивания и зацепления диска, особенно при обработке углов, острых краев и т.д. Это может привести к потере управления и отдаче.
- НИКОГДА не используйте инструмент с полотнами для резки по дереву и другими пильными дисками. При использовании с шлифовальным инструментом такие полотна часто отскакивают и приводят к потере управления, результатом чего могут быть травмы.

⚠️ ПРЕДУПРЕЖДЕНИ:

- Никогда не включайте инструмент, если он касается обрабатываемого изделия. Это может стать причиной травмы оператора.
- Во время выполнения операции всегда надевайте защитные очки или защитную маску.
- После работы всегда отключайте инструмент и дожидайтесь полной остановки диска перед тем, как положить инструмент.

Шлифовка и зачистка

Рис.16

ВСЕГДА крепко держите инструмент одной рукой за заднюю рукоятку, а другой за боковую рукоятку. Включите инструмент и поднесите круг или диск к обрабатываемой детали.

В общем плане, держите край круга или диска под углом примерно в 15 градусов к поверхности обрабатываемой детали.

В период проникновения с использованием нового диска, не работайте с инструментом в направлении В, иначе он врежется в обрабатываемую деталь. После того, как край диска закруглится по причине использования, диск можно использовать и в направлении А, и в направлении В.

Выполнение работ с чашечной проволочной щеткой (дополнительная принадлежность)

⚠️ ПРЕДУПРЕЖДЕНИ:

- Проверьте работу щетки, запустив инструмент на холостом ходу, предварительно убедившись, что никто не находится перед ним или на одной линии со щеткой.
- Не используйте поврежденную или разбалансированную щетку. Использование поврежденной щетки может увеличить опасность получения травм от контакта с проволокой.

Рис.17

Отключите инструмент от питания и расположите его дисковой частью вверх, что позволит легко получить доступ к шпинделю. Снимите со шпинделя все дополнительные принадлежности. Установите чашечную проволочную щетку на шпиндель и затяните ее с помощью поставляемого с инструментом ключа. При использовании щетки старайтесь не прикладывать к ней чрезмерное давление, поскольку в таком случае проволока может погнуться, что преждевременно приведет щетку в негодность.

Выполнение работ с дисковой проволочной щеткой (дополнительная принадлежность)

⚠️ ПРЕДУПРЕЖДЕНИ:

- Проверьте работу дисковой проволочной щетки, запустив инструмент на холостом ходу, предварительно убедившись, что никто не находится перед ним или на одной линии с дисковой проволочной щеткой.
- Не используйте поврежденную или разбалансированную дисковую проволочную щетку. Использование поврежденной дисковой проволочной щетки может увеличить опасность получения травм от контакта с проволокой.
- При работе с дисковой проволочной щеткой ВСЕГДА используйте защитный кожух, убедившись, что диаметр диска соответствует внутреннему диаметру кожуха. Во время работы диск может разрушиться, защитный кожух в таком случае снизит риск получения травм.

Рис.18

Отключите инструмент от питания и расположите его дисковой частью вверх, что позволит легко получить доступ к шпинделю. Снимите со шпинделя все дополнительные принадлежности. Установите дисковую проволочную щетку на шпиндель и затяните ее с помощью ключей.

При использовании дисковой проволочной щетки старайтесь не прикладывать к ней чрезмерное давление, поскольку в таком случае проволока может погнуться, что преждевременно приведет щетку в негодность.

Выполнение работ с абразивным отрезным диском/алмазным диском (дополнительная принадлежность)

⚠️ ПРЕДУПРЕЖДЕНИ:

- При использовании абразивного отрезного круга/алмазного круга может применяться только специальный защитный кожух, предназначенный для отрезных кругов. (В Европе при использовании алмазного круга можно использовать обычное ограждение.)
- НЕЛЬЗЯ использовать отрезной круг для шлифовки боковой поверхностью.
- Не "заклинивайте" круг и не прикладывайте к нему чрезмерное давление. Не пытайтесь чрезмерно увеличить глубину резания. Перенапряжение круга увеличивает его нагрузку и восприимчивость к короблению или прихватаванию в прорези, а также возможность отдачи, поломки круга и перегрева электродвигателя.
- Не запускайте отрезной круг, пока он находится в детали. Дайте кругу раскрутиться до

максимальной скорости, а затем осторожно введите в разрез, перемещая инструмент вперед по поверхности обрабатываемой детали. При перезапуске электроинструмента, углубившегося в деталь, возможно прихватывание круга, его выскакивание или отдача.

- Во время операций резания нельзя менять угол наклона круга. Боковое давление на отрезной круг (как при шлифовке) приводит к растрескиванию и разрушению круга, в результате чего возможны серьезные травмы.
- Работы с алмазным диском необходимо выполнять, удерживая его перпендикулярно к рабочей поверхности.

Установите внутренний фланец на шпindel. Наденьте диск/круг на внутренний фланец и вкрутите стопорную гайку на шпindel.

Рис.19

При установке алмазного диска или абразивного отрезного диска, толщина центральной части которых составляет 7 мм или более, расположите стопорную гайку таким образом, чтобы ее направляющая круглая часть (выступ) была со стороны диска.

Для Австралии и Новой Зеландии

Порядок установки или снятия абразивного отрезного диска/алмазного диска (дополнительная принадлежность)

Рис.20

ТЕХОБСЛУЖИВАНИЕ

⚠️ ПРЕДУПРЕЖДЕНИ:

- Перед проверкой или проведением техобслуживания всегда проверяйте, что инструмент выключен, а штекер отсоединен от розетки.
- Запрещается использовать бензин, лигроин, растворитель, спирт и т.п. Это может привести к изменению цвета, деформации и появлению трещин.

Рис.21

Инструмент и его вентиляционные отверстия должны содержаться в чистоте. Производите регулярную очистку вентиляционных отверстий инструмента, или очищайте их в том случае, если отверстия станут засоряться.

Замена угольных щеток

Рис.22

Когда полимерный изоляционный наконечник внутри угольной щетки оголится и соприкоснется с коммутатором, он автоматически отключит двигатель. Когда это произойдет, необходимо заменить обе угольные щетки. Содержите угольные щетки в чистоте и в свободном для скольжения в держателях положении. При замене необходимо менять обе угольные щетки одновременно. Используйте только одинаковые угольные щетки.

Используйте отвертку для снятия крышек щеткодержателей. Извлеките изношенные угольные щетки, вставьте новые и закрутите крышки щеткодержателей.

Рис.23

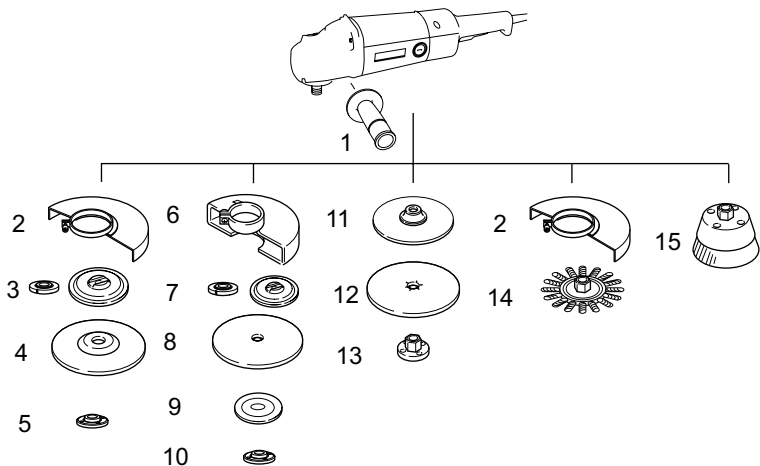
Для обеспечения БЕЗОПАСНОСТИ и НАДЕЖНОСТИ оборудования, ремонт, любое другое техобслуживание или регулировку необходимо производить в уполномоченных сервис-центрах Makita, с использованием только сменных частей производства Makita.

ПРИНАДЛЕЖНОСТИ

⚠️ ПРЕДУПРЕЖДЕНИ:

- Эти принадлежности или насадки рекомендуется использовать вместе с Вашим инструментом Makita, описанным в данном руководстве. Использование каких-либо других принадлежностей или насадок может представлять опасность получения травм. Используйте принадлежность или насадку только по указанному назначению.

Если Вам необходимо содействие в получении дополнительной информации по этим принадлежностям, свяжитесь со своим местным сервис-центром Makita.



1	Боковая ручка
2	Защитный кожух для шлифовального диска с углубленным центром / многофункционального диска / дисковой проволочной щетки
3	Внутренний фланец/Суперфланец/Внутренний фланец 102 (только для Австралии и Новой Зеландии)
4	Шлифовальный диск с вогнутым центром/Мультидиск
5	Стопорная гайка/Гайка Ezynut*1
6	Защитный кожух для абразивного отрезного диска / алмазного диска*2
7	Внутренний фланец/Суперфланец/Внутренний фланец 78 (только для Австралии и Новой Зеландии)
8	Абразивный отрезной диск/Алмазный диск
9	Внешний фланец 78 (только для Австралии и Новой Зеландии)*3
10	Стопорная гайка/Гайка Ezynut*1
11	Резиновая подушка
12	Абразивный диск
13	Шлифовальная стопорная гайка
14	Дисковая проволочная щетка
15	Крышка с проводом щетки
—	Ключ стопорной гайки
—	Пылезащитная крышка

*1 Не используйте суперфланец с гайкой Ezynut.

*2 В Европе при использовании алмазного круга можно использовать обычное ограждение вместо специального, закрывающего обе стороны круга.

*3 Используйте внутренний фланец 78 с внешним фланцем 78. (Только для Австралии и Новой Зеландии)

Makita Corporation
Anjo, Aichi, Japan

884937B982

www.makita.com